

LEE AVENUE DRAINAGE IMPROVEMENTS

PLANS PREPARED FOR:

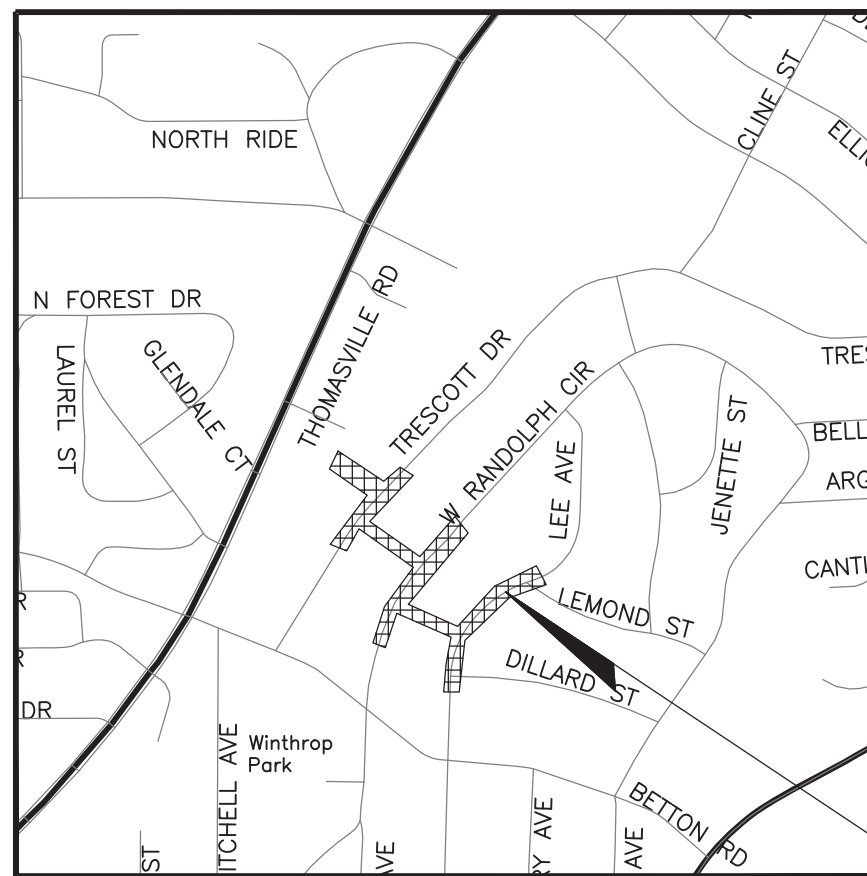


**CITY OF
TALLAHASSEE**

**UNDERGROUND UTILITIES & PUBLIC INFRASTRUCTURE ENGINEERING
STORMWATER MANAGEMENT
C.O.T. WORK ORDER NO. 1900221**

INDEX OF SHEETS

SHEET NO.	SHEET DESCRIPTION
1	COVER SHEET
2	DRAINAGE MAP
3	GENERAL NOTES
4-6	TYPICAL SECTION AND DETAILS
7-8	PROJECT LAYOUT
9-15	PLAN & PROFILE
16-23	DRAINAGE STRUCTURES
24-45	CROSS SECTIONS
46-50	ROADWAY DETAILS - DRIVEWAY PROFILES
51-54	TREE PROTECTION/REMOVAL & EROSION CONTROL



LOCATION MAP

1" = 800'

NORTH AMERICAN VERTICAL DATUM OF 1988

PLANS PREPARED BY:

EUTAW, INC

2419 FLEISCHMANN ROAD, SUITE 1
TALLAHASSEE, FLORIDA 32308
(850) 383-0400
WWW.EUTAWINC.COM

FBPE REGISTRY #9961

ENGINEER OF RECORD:

LANE P. LUCAS, P.E.
FLORIDA PE #53936

THIS DOCUMENT HAS BEEN DIGITALLY SIGNED AND SEALED
BY LANE P. LUCAS, P.E. PRINTED COPIES OF THIS DOCUMENT
ARE NOT CONSIDERED SIGNED AND THE SIGNATURE MUST
BE VERIFIED ON ANY ELECTRONIC COPIES.

GOVERNING STANDARDS AND SPECIFICATIONS:

FLORIDA DEPARTMENT OF TRANSPORTATION, STANDARD PLANS, FY 2020-21
EDITION AND STANDARD SPECIFICATIONS FOR ROAD AND BRIDGE
CONSTRUCTION, JULY 2021 EDITION, AS AMENDED BY CONTRACT DOCUMENTS.

ATTENTION IS DIRECTED TO THE FACT THAT THESE PLANS MAY HAVE BEEN
ALTERED IN SIZE BY REPRODUCTION. THIS MUST BE CONSIDERED WHEN
OBTAINING SCALED DATA.

REVISIONS			
NO.	DESCRIPTION	BY	DATE

LEE AVENUE DRAINAGE IMPROVEMENTS

**PHASE II
JANUARY 2022**



User: jmc
 S:\Projects\COT\Stormwater\Lee Avenue\DWG\DRAINAGE MAP.dwg - 01/18/2022, 04:40:13 PM

ENGINEER OF RECORD
 LANE P. LUCAS
 F.P.E. No. 53936
EUTAW, INC.
 2419-1 Fleischmann Road
 Tallahassee, Florida 32308
 www.eutawinc.com
 FBPE REGISTRY # 9961

NO.	REVISIONS
1	ORIGINAL
2	
3	
4	
5	

SHEET
 DRAINAGE MAP

PROJECT
 LEE AVENUE
 DRAINAGE
 IMPROVEMENTS

EUTAW, INC.
 ENGINEERING-UTILITIES, TRANSPORTATION, AND WATER
 2419 FLEISCHMANN ROAD - STE. 1
 TALLAHASSEE, FL 32308
 PHONE : (850) 383-9400
 WWW.EUTAWINC.COM
 FBPE REGISTRY #9961

JOB No.	
DRAWN	LPI
DESIGNED	LPI
CHECKED	MWH
QC	LPI
SHEET	2

GENERAL NOTES:

- 1. THE CONTRACTOR SHALL HAVE ALL REQUIRED PERMITS IN-HAND PRIOR TO BEGINNING CONSTRUCTION, AND SHALL PERFORM ALL WORK IN ACCORDANCE WITH THE REQUIREMENTS OF THE PERMITS OBTAINED BY THE CITY AND THOSE PERMITS OBTAINED BY THE CONTRACTOR.
2. AT LEAST THREE CALENDAR DAYS PRIOR TO THE PRECONSTRUCTION CONFERENCE, THE CONTRACTOR SHALL SUBMIT TO THE ENGINEER FOR APPROVAL A TENTATIVE BASE CONSTRUCTION SCHEDULE...
3. THE CONSTRUCTION SCHEDULE SHALL DESCRIBE IN DETAIL HOW THE CONSTRUCTION IS TO BE PHASED, ESTABLISH START AND FINISH DATES FOR ALL SIGNIFICANT CONSTRUCTION ACTIVITIES...
4. THE PRECONSTRUCTION SURVEY SHALL VERIFY THE CONTROL POINTS AND BENCH MARK ELEVATIONS PROVIDED BY THE ENGINEER...
5. THE GEOTECHNICAL INFORMATION SHOWN ON THE DRAWINGS WAS OBTAINED FOR USE IN ESTABLISHING DESIGN CRITERIA FOR THE PROJECT...
6. THE CONTRACTOR IS RESPONSIBLE FOR PRESERVING ALL PROPERTY CORNERS AND MONUMENTS SHOWN ON THE DRAWINGS OR FOUND DURING CONSTRUCTION...
7. ANY NATIONAL GEODETIC SURVEY MONUMENT WITHIN THE LIMITS OF CONSTRUCTION MUST BE PROTECTED...
8. THE CONTRACTOR IS RESPONSIBLE FOR THE PROTECTION OF ALL UTILITIES...
9. PRIOR TO ANY SCHEDULED INTERRUPTION OF UTILITY SERVICE, THE CONTRACTOR SHALL COORDINATE SUCH INTERRUPTION WITH THE UTILITY PROVIDER...
10. THE CONTRACTOR SHALL NOTIFY THE GAS UTILITY (850-891-5100) A MINIMUM OF TWO WORKING DAYS PRIOR TO ANY EXCAVATION...
11. ALL UTILITIES IN CONFLICT WITH CONSTRUCTION ARE TO BE ADJUSTED OR RELOCATED BY OTHERS UNLESS NOTED OTHERWISE...
12. WHERE THE REQUIRED MINIMUM SEPARATION BETWEEN UTILITIES IS SPECIFIED, THE DISTANCE SHALL BE MEASURED FROM OUTSIDE OF PIPE TO OUTSIDE OF PIPE.

- 13. LIMITS OF CONSTRUCTION ARE DEFINED IN THE PLANS AND CONSIST OF ROADWAY RIGHTS-OF-WAY, CITY OF TALLAHASSEE PROPERTIES, DRAINAGE RIGHTS-OF-WAY, PERMANENT DRAINAGE AND/OR UTILITY EASEMENTS, AND TEMPORARY CONSTRUCTION EASEMENTS.
14. NO TRENCHES WILL BE ALLOWED TO REMAIN OPEN OVERNIGHT.
15. ALL EXISTING DRAINAGE STRUCTURES AND PIPES, PAVEMENT, SIDEWALKS, CURBS, ETC., WITHIN THE LIMITS OF CONSTRUCTION ARE TO REMAIN UNLESS OTHERWISE NOTED ON THE DRAWINGS...
16. ALL STORM MANHOLES OR STRUCTURES DESIGNATED TO BE ABANDONED IN PLACE SHALL BE REMOVED TO A MINIMUM OF THREE FEET BELOW GRADE AND FILLED WITH COMPACTED SAND.
17. EXISTING CONCRETE AND ASPHALTIC CONCRETE DRIVEWAYS AND SIDEWALKS SHALL BE SAW-CUT AS REQUIRED FOR CONSTRUCTION.
18. ALL SIDEWALKS AND CURB RAMPS REMOVED DURING CONSTRUCTION SHALL BE RECONSTRUCTED TO MEET CURRENT ADA STANDARDS.
19. THE CONTRACTOR SHALL PUT FORTH EVERY REASONABLE EFFORT TO MINIMIZE DISRUPTION AND DISTURBANCE OF ADJACENT PROPERTIES...
20. ALL FENCES IN CONFLICT WITH CONSTRUCTION SHALL BE REMOVED AND REPLACED IN THEIR ORIGINAL LOCATIONS OR IN OTHER LOCATIONS AS DIRECTED BY THE ENGINEER...
21. THE CONTRACTOR SHALL EXERCISE DUE CARE IN THE REMOVAL OF EXISTING FENCES TO MAINTAIN SECURITY AT THE AFFECTED PROPERTIES...
22. THE CONTRACTOR IS RESPONSIBLE FOR THE PROTECTION OF ALL TREES AND LANDSCAPING ON ADJACENT PROPERTIES...
23. THE CONTRACTOR SHALL NOT DISTURB GRASSING OR LANDSCAPING OUTSIDE CONSTRUCTION WORK ZONES...
24. THE LOCATION AND CONSTRUCTION OF MAILBOXES SHALL BE IN CONFORMANCE WITH THE RULES AND REGULATIONS OF THE UNITED STATES POSTAL SERVICE...
25. DISTURBED AREAS SHALL BE COMPACTED (AT A MINIMUM) EQUAL TO ADJACENT UNDISTURBED GROUND EXCEPT WHEN OTHERWISE SPECIFIED.
26. PROPERTIES ADJACENT TO WORK ZONES SHALL BE GRADED TO DRAIN WITHIN THE LIMITS OF CONSTRUCTION.
27. ALL DISTURBED AREAS WITHIN CONSTRUCTION WORK ZONES ARE TO BE GRASSED EXCEPT FOR AREAS THAT ARE LANDSCAPED, PAVED, OR BELOW NORMAL WATER LEVEL...
28. PRIOR TO REQUESTING A FINAL INSPECTION, THE CONTRACTOR SHALL PREPARE AND SUBMIT TO THE ENGINEER FOUR COMPLETE SETS OF CERTIFIED AS-BUILT RECORD DRAWINGS...

SUPPLEMENTAL GENERAL NOTES:

- 1. CITY OF TALLAHASSEE SURVEYING, PROVIDED THE TOPOGRAPHY, BENCHMARKS, RIGHTS-OF-WAY AND UTILITY LOCATION INFORMATION SHOWN ON THE CONSTRUCTION DRAWINGS. ELEVATIONS ARE BASED ON NORTH AMERICAN VERTICAL DATUM OF 1988 (NAVD 88).
2. THE CONTRACTOR SHALL PROTECT AND MAINTAIN ALL VALVE BOXES ON GAS AND WATER MAINS WITHIN THE LIMITS OF CONSTRUCTION THAT ARE TO REMAIN IN SERVICE...
3. THE CONTRACTOR SHALL PROTECT AND MAINTAIN ALL VALVE BOXES ON GAS AND WATER MAINS WITHIN CONSTRUCTION AREAS SO THE TOPS ARE FLUSH WITH FINISHED PAVEMENT OR WITH FINISHED GRADE IN UNPAVED AREAS.

SUPPLEMENTAL GENERAL NOTES - STORMWATER CONSTRUCTION:

- 1. IF THE PLANS DO NOT DESIGNATE A TYPE OF PIPE, EITHER STEEL REINFORCED CONCRETE PIPE (MINIMUM CLASS III) IN ACCORDANCE WITH STANDARD SPECIFICATION 449-4 OR FLORIDA DEPARTMENT OF TRANSPORTATION APPROVED POLYPROPYLENE PIPE MAY BE USED...
2. ALL REINFORCED CONCRETE PIPE SHALL BE INSTALLED USING SELECT MATERIAL FOR THE SOIL ENVELOPE AS SHOWN ON THE STORM DRAIN PIPE INSTALLATION DETAIL...
3. ALL JOINTS OF CONCRETE PIPES, CULVERTS, AND STORM DRAINS SHALL HAVE A FILTER FABRIC JACKET AS DETAILED ON STANDARD PLANS INDEX 430-001...
4. ALL PIPE CULVERTS AND STORM DRAINS 48-INCHES OR LESS IN DIAMETER SHALL BE VIDEO TAPED IN ACCORDANCE WITH SECTION 430-4.8 OF THE STANDARD SPECIFICATIONS...
5. UNLESS NOTED OTHERWISE IN THE PLANS, THE CONTRACTOR SHALL TAKE OWNERSHIP OF ALL EXCAVATED MATERIALS NOT SUITABLE FOR BACKFILLING...
6. ALL CURB INLETS, DITCH BOTTOM INLETS, AND MANHOLES SHALL HAVE TRAFFIC BEARING FRAMES AND COVERS OR GRATES MEETING HS-20 LOADING REQUIREMENTS...
7. ALL STORM DRAIN COVERS SHALL BE TYPE USF TJ (U.S. FOUNDRY NO. 8017195), NPRI5-728 (EJ GROUP COVER NO. 3062A2), OR APPROVED EQUAL.
8. ALL TYPE J STRUCTURE BOTTOMS SHALL HAVE A MINIMUM 6'-0" WALL HEIGHT WHEN POSSIBLE.
9. ALL GRATES SHALL BE CHAINED AND LOCKED IN ACCORDANCE WITH STANDARD PLANS INDEX 425-001...
10. UTILITIES IN CONFLICT WITH THE INSTALLATION OF A NEW STORM DRAIN ARE TO BE ADJUSTED OR RELOCATED TO ELIMINATE THE CONFLICT...

SUPPLEMENTAL GENERAL NOTES - TRAFFIC CONTROL:

- 1. THE CONTRACTOR SHALL PREPARE A TRAFFIC CONTROL PLAN THAT DESCRIBES THE MEASURES TO BE EMPLOYED DURING CONSTRUCTION TO WARN MOTORISTS AND PEDESTRIANS OF HAZARDS...
2. ACCESS TO BUSINESS AND RESIDENTIAL DRIVEWAYS SHALL BE MAINTAINED AT ALL TIMES.
3. NO ROADWAYS (INCLUDING COUNTY ROADS) SHALL BE CLOSED WITHOUT PRIOR APPROVAL OF CITY OF TALLAHASSEE TRAFFIC ENGINEERING.
4. ALL TRAFFIC CONTROL DEVICES SHALL BE INSTALLED IN ACCORDANCE WITH THE MANUAL ON UNIFORM TRAFFIC CONTROL DEVICES AND/OR THE FLORIDA DEPARTMENT OF TRANSPORTATION DESIGN STANDARDS.
5. ALL TRAFFIC CONTROL DEVICES SHALL BE IN PLACE BEFORE THE START OF CONSTRUCTION ON AFFECTED ROADWAYS.
6. WARNING LIGHTS SHALL BE USED ON BARRICADES DURING HOURS OF DARKNESS IN ACCORDANCE WITH STANDARD PLANS INDEX 102-600.

\\s01pc001\c0t\Stormwater\Lee Avenue\DWG\Cover and General Notes.dwg - 01/18/2022, 04:40:19 PM

ENGINEER OF RECORD LANE P. LUCAS FL.P.E. No. 53936 Eutaw, Inc. 2419-1 Fleischnmann Road Tallahassee, FL 32308 (850) 383-0400 FBPE REGISTRY # 9661

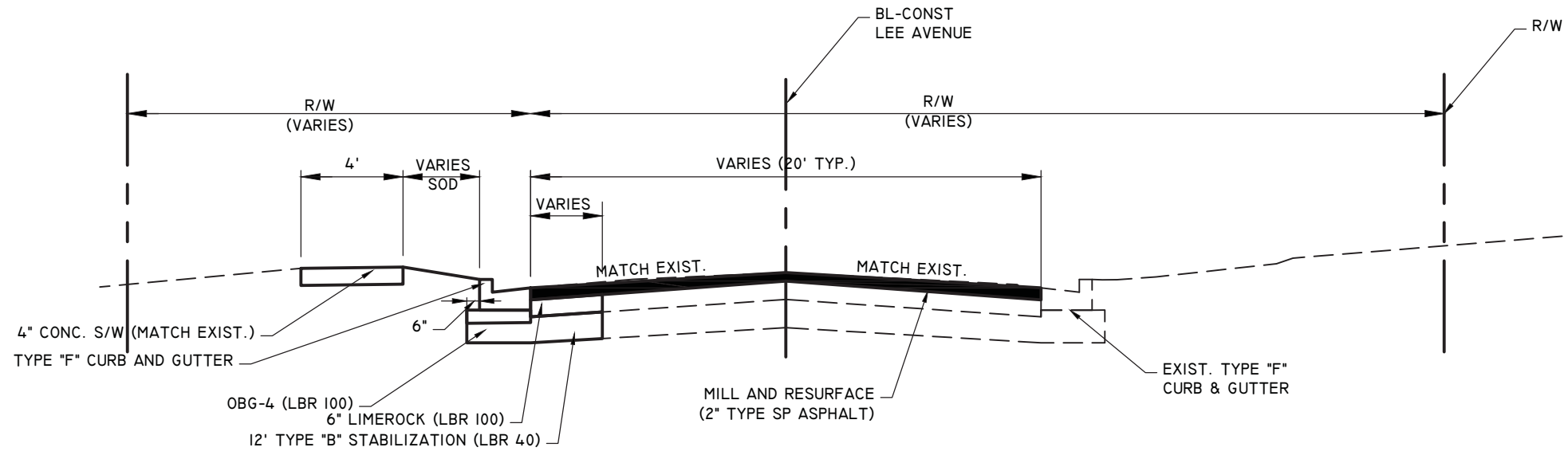
Table with 5 rows and 2 columns: ORIGINAL, REVISIONS. Contains revision numbers 1 through 5.

GENERAL NOTES

LEE AVENUE DRAINAGE IMPROVEMENT PROJECT

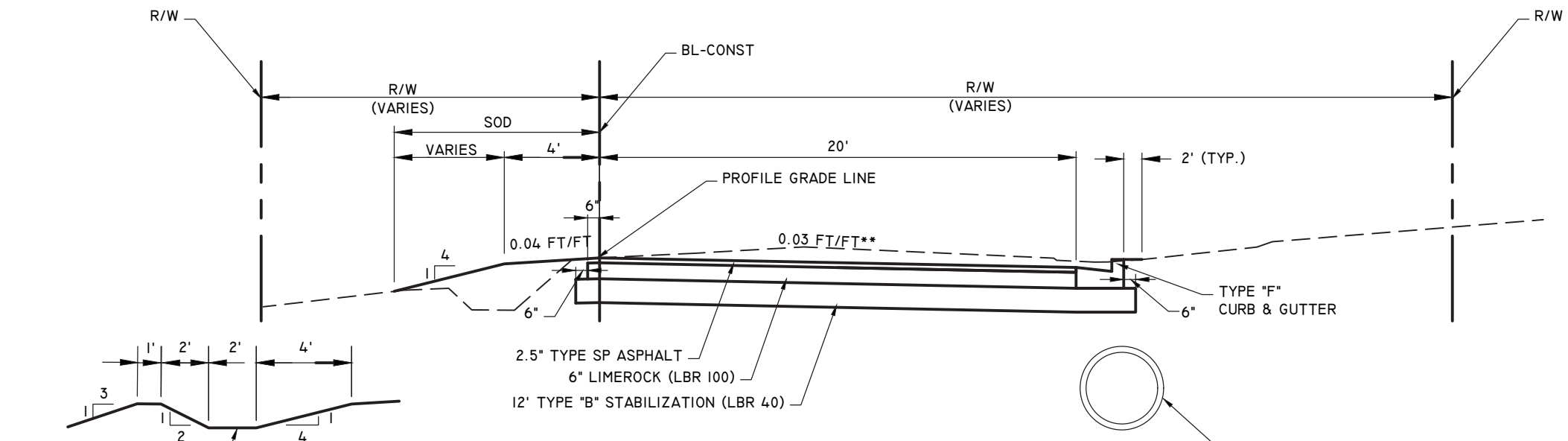
Eutaw, Inc. ENGINEERING-UTILITIES, TRANSPORTATION AND WATER 2419 FLEISCHMANN ROAD, STE. 1 TALLAHASSEE, FL 32308 PHONE: (850) 383-0400 WWW.EUTAWINC.COM FBPE REGISTRY #9661

Table with 4 rows: JOB No., DRAWN, CHECKED, QC. Each row has a line for initials.



TYPICAL SECTION #1
BL-CONST TRESSCOTT
51+85.00 TO 54+20.00

** NOTE: CURB AND SIDEWALK CONSTRUCTION BEGINS AT STATION 52+25.00. LIMITS OF BASE AND STABILIZATION DEPENDENT ON TRENCHING FOR PIPE AND INLET INSTALLATION.



TYPICAL SECTION #2
BL-CONST RANDOLPH
40+28.89 TO 45+85.00

** NOTE: CROSS SLOPE TRANSITIONS FROM EXISTING CROSS SLOPE TO 0.03 FT/FT BETWEEN STATION 40+28.84 AND 41+40. CROSS SLOPE TRANSITIONS FROM 0.03 FT/FT TO EXISTING CROSS SLOPE TO 0.03 FT/FT BETWEEN STATION 44+85 AND 45+85.

SODDED SWALE (LT)
40+28.89 TO 40+40.00

ENGINEER OF RECORD
 LANE P. LUCAS
 F.L.P.E. No. 53936
EUTAW, INC.
 2419-1 Fleischmann Road
 Tallahassee, Florida 32308
 Phone: (904) 883-9400
 www.eutawinc.com
 FBPE REGISTRY # 9961

NO.	REVISIONS
1	ORIGINAL
2	
3	
4	
5	

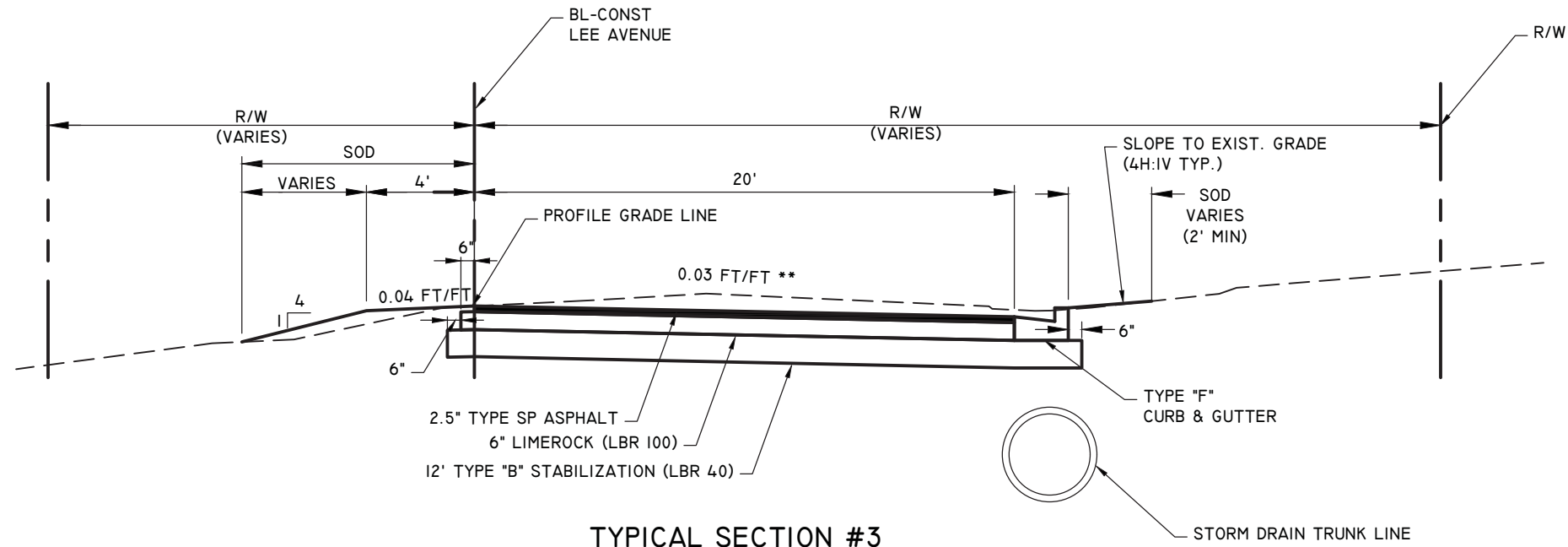
TYPICAL SECTIONS

LEE AVENUE DRAINAGE IMPROVEMENT PROJECT

EUTAW, INC.
 ENGINEERING-UTILITIES, TRANSPORTATION, AND WATER
 2419 FLEISCHMANN ROAD, STE. 1
 TALLAHASSEE, FL 32308
 PHONE : (904) 383-9400
 WWW.EUTAWINC.COM
 FBPE REGISTRY #9961

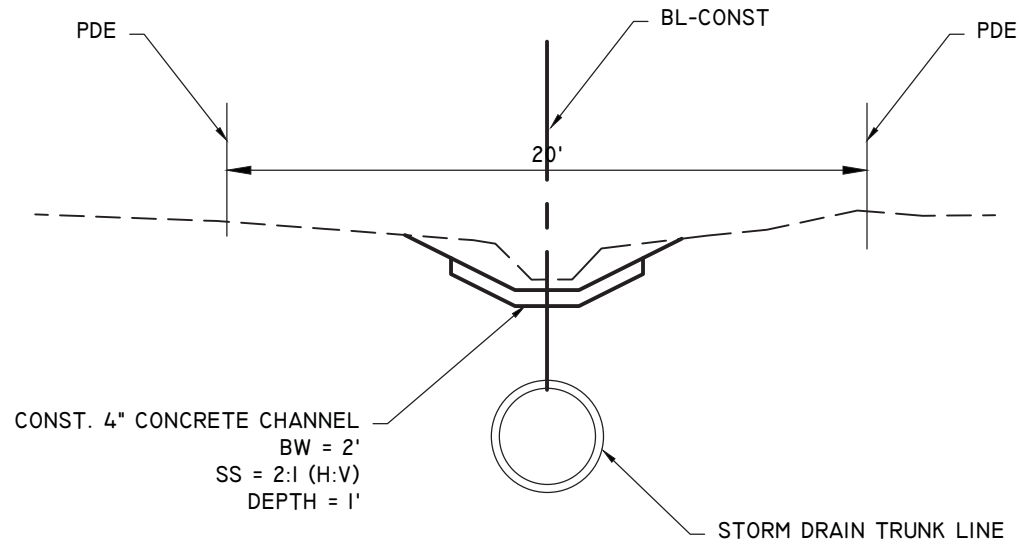
JOB No.	_____
DRAWN	_____
DESIGNED	_____
CHECKED	_____
QC	_____

U:\GIS\DOT\Stormwater\Lee Avenue\Lee Avenue.dwg - 01/18/2022 04:49:46 PM
 User: jplucas



TYPICAL SECTION #3
BL-CONST LEE AVENUE
30+00.00 TO 38+11.96

** NOTE: CROSS SLOPE TRANSITIONS FROM EXISTING CROSS SLOPE TO 0.03 FT/FT BETWEEN STATION 30+00 AND 31+00. CROSS SLOPE TRANSITIONS FROM 0.03 FT/FT TO EXISTING CROSS SLOPE BETWEEN STATION 37+00 AND 38+11.96.



TYPICAL SECTION #4
OUTFALL CHANNEL
BL-CONST OUTFALL
12+95.00 TO 16+05.00

ENGINEER OF RECORD
 LANE P. LUCAS
 F.L.P.E. No. 53936

EUTAW, INC.
 2419-1 Fleischmann Road
 Tallahassee, Florida 32308
 Phone: (904) 883-9400
 www.eutawinc.com
 FBPE REGISTRY # 9961

REVISIONS
1 ORIGINAL
2
3
4
5

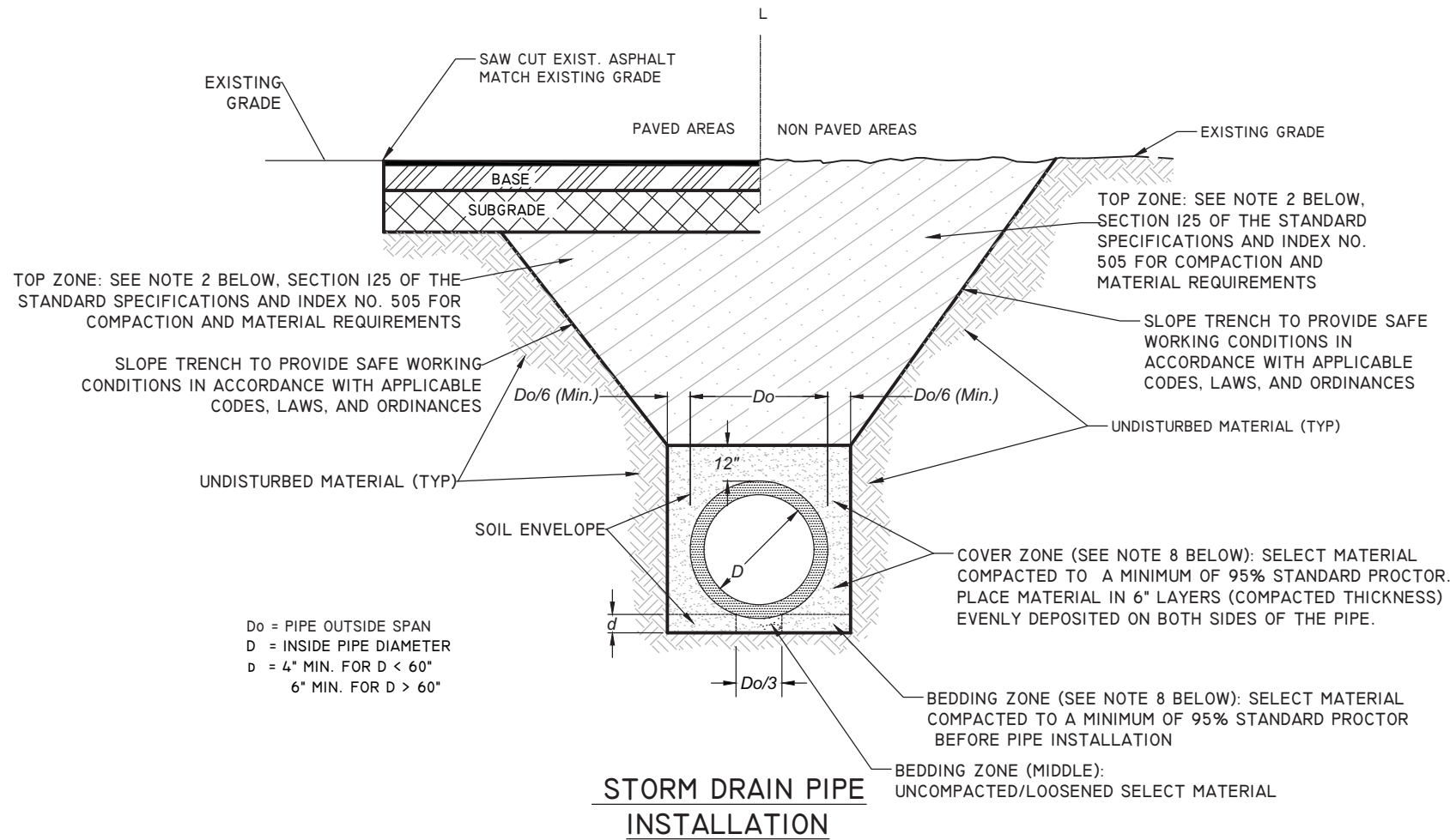
TYPICAL SECTIONS

LEE AVENUE DRAINAGE IMPROVEMENT PROJECT

EUTAW, INC.
 ENGINEERING-UTILITIES, TRANSPORTATION, AND WATER
 2419 FLEISCHMANN ROAD, STE. 1
 TALLAHASSEE, FL 32308
 PHONE: (904) 883-9400
 WWW.EUTAWINC.COM
 FBPE REGISTRY #9961

JOB No.	_____
DRAWN	_____
DESIGNED	_____
CHECKED	_____
QC	_____

U:\Projects\DOT\Stormwater\Lee Avenue\Lee Avenue.dwg - 01/19/2022 04:40:57 PM



NOTES:

1. THE SOIL ENVELOPE SHALL USE MATERIAL MEETING AASHTO CLASSIFICATION OF A-1 SAND, A-3, OR A-2-4. FOR REINFORCED CONCRETE PIPE WITH DIAMETERS 30-INCHES OR GREATER, THE CONTRACTOR MAY CHOOSE TO REDUCE THE COVER ZONE TO THE SPRINGLINE OF THE PIPE. COST FOR SELECT MATERIAL FOR THE SOIL ENVELOPE SHALL BE INCLUDED IN THE CONTRACT UNIT PRICES ASSOCIATED WITH THIS WORK.
2. THE TOP ZONE SHALL USE MATERIAL AS DEFINED IN INDEX NO. 505. NO A-4 MATERIAL SHALL BE PLACED BELOW THE WATER LEVEL. IF PLACED BELOW THE WATER LEVEL, A-2-4 MATERIAL MUST BE NONPLASTIC AND CONTAIN LESS THAN 15% PASSING THE NO. 200 SEIVE. IN PAVED AREAS HIGH PLASTIC AND/OR MUCK MATERIALS WILL NOT BE ALLOWED AS BACKFILL. IN NON-PAVED AREAS MUCK MATERIAL WILL NOT BE ALLOWED AS BACKFILL, UNLESS SPECIFICALLY SHOWN OTHERWISE IN THE PLANS OR SPECIFICATIONS, (E.G., LITTORAL SHELVES AND WETLAND RESTORATION AREAS).
3. TRENCHES ARE TO BE EXCAVATED IN ACCORDANCE WITH SUBARTICLE 125-4.4 OF THE STANDARD SPECIFICATIONS.
4. IF THE TRENCH IS OVEREXCAVATED, BACKFILL AND RECOMPACT IN ACCORDANCE WITH SECTION 125-9.2.1. MUCK AND ORGANIC MATERIAL SHALL NOT BE ALLOWED AS BACKFILL IN OVEREXCAVATED AREAS.
5. HAND DIG FOR BELL JOINTS. BEARING FROM JOINT TO JOINT WILL NOT BE ALLOWED.
6. PIPES ARE TO BE INSTALLED IN DRY TRENCHES. OPEN TRENCH PUMPING FOR DEWATERING SHALL NOT BE ALLOWED WITHOUT PRIOR APPROVAL OF THE ENGINEER.
7. BACKFILL SHALL BE PLACED IN LIFTS THIN ENOUGH TO ALLOW COMPACTION TO BE ACHIEVED. LIFTS IN EXCESS OF TWELVE INCHES, MEASURED LOOSE, SHALL NOT BE ALLOWED.
8. IF THE PIPE IS BENEATH OR WITHIN 5-FEET OF ANY BUILDING, COMPACT TO 100% STANDARD PROCTOR. IF THE PIPE IS NEAR ANY STRUCTURE, COMPACT TO 100% STANDARD PROCTOR FOR A DISTANCE OF AT LEAST ONE PIPE DIAMETER, BUT NOT LESS THAN THREE FEET FROM THE OUTSIDE FACE OF THE STRUCTURE

ENGINEER OF RECORD
 LANE P. LUCAS
 F.P.E. No. 53936
EUTAW, INC.
 2419-1 Fleischmann Road
 Tallahassee, Florida 32308
 Telephone: 904-993-9961
 FBPE REGISTRY # 9961

REVISIONS	DATE
1	
2	
3	
4	
5	

TYPICAL SECTIONS

LEE AVENUE DRAINAGE IMPROVEMENT PROJECT

EUTAW, INC.
 ENGINEERING-UTILITIES, TRANSPORTATION, AND WATER
 2419 FLEISCHMANN ROAD, STE. 1
 TALLAHASSEE, FL 32308
 PHONE : (850) 383-9400
 WWW.EUTAWINC.COM
 FBPE REGISTRY #9961

JOB No.	_____
DRAWN	_____
DESIGNED	_____
CHECKED	_____
QC	_____

U:\Projects\DOT Stormwater\Lee Avenue\Lee Avenue.dwg - 01/18/2022 04:41:07 PM

U:\GIS\DOT\Birmingham\Ammunition\PROJECT LAYOUT.dwg - 01/16/2022 04:41:41 PM

BEGIN BL-CONST OUTFALL
STA. 10+00.00
N = 533,951.8009
E = 2,042,127.1495

END BL-CONST TRESPOTT
STA. 54+68.18
N = 533,900.1665
E = 2,042,308.6477

END BL-CONST RANDOLPH
STA. 46+04.44
N = 533,831.4931
E = 2,042,784.2277

END BL-CONST LEE
STA. 38+12
N = 533,627.8969
E = 2,043,240.8160

BEGIN BL-CONST TRESPOTT
STA. 50+00.00
N = 533,505.9013
E = 2,042,056.1612

BEGIN BL-CONST RANDOLPH
STA. 40+00.00
N = 533,337.8614
E = 2,042,447.3962

END BL-CONST OUTFALL
STA. 21+81.74
N = 533,295.1751
E = 2,042,891.6901

BL-CONST OUTFALL
STA. 21+46.17 =
BL-CONST LEE AVENUE
STA. 33+1.59

BEGIN BL-CONST LEE
STA. 30+00.00
N = 533,017.8830
E = 2,042,802.0471

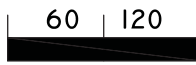
CURVE #1
PI = 34+47.44
PC = 30+59.43
PT = 37+43.37
R = 580.000
L = 683.938
DELTA = 067° 33' 48.2"

CURVE #2
PI = 42+48.99
PC = 40+04.48
PT = 44+84.93
R = 1050.000
L = 480.453
DELTA = 026° 13' 01.4"

BENCHMARK # 1 SET NAIL & DISC
CITY OF TALLAHASSEE PERMANENT REFERENCE IN
TELEPHONE POLE
ELEVATION 175.22' (N.A.V.D.88)

BENCHMARK # 2 SET NAIL & DISC
CITY OF TALLAHASSEE PERMANENT REFERENCE IN
POWER POLE
ELEVATION 144.58' (N.A.V.D.88)

BENCHMARK # 4 SET NAIL & DISC
CITY OF TALLAHASSEE PERMANENT REFERENCE
ELEVATION 110.21' (N.A.V.D.88)



ENGINEER OF RECORD
LANE P LUCAS
FL.P.E. No. 53836

EUTAW, INC.
2419-1 Fleischmann Road
Tallahassee, Florida 32308
www.eutawinc.com
FBPE REGISTRY # 9961

NO.	DATE	REVISIONS
1		ORIGINAL
2		
3		
4		
5		

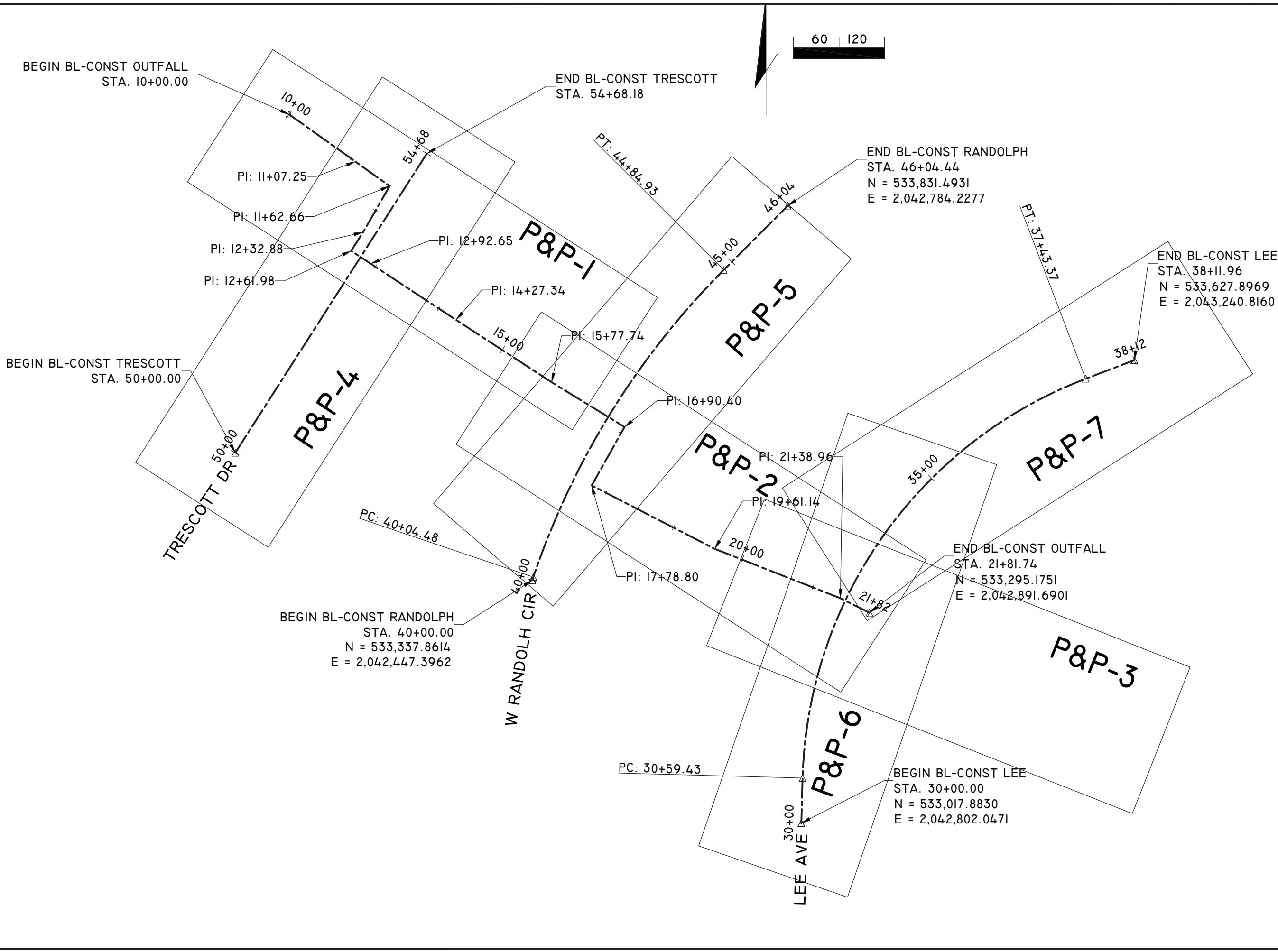
PROJECT LAYOUT

BRIARWOOD
SUBDIVISION
DRAINAGE
IMPROVEMENTS

EUTAW, INC.
ENGINEERING-UTILITIES, TRANSPORTATION AND WATER
PHONE : (850) 383-0400
WWW.EUTAWINC.COM
TALLAHASSEE, FL 32308

JOB No. _____
DRAWN _____
DESIGNED _____
CHECKED _____
QC _____

U:\Projects\DOT\Briarwood\Subdivision\PROJECT LAYOUT.dwg - 01/16/2023 04:41:46 PM



60 120

ENGINEER OF RECORD
 LANE P LUCAS
 EUTAW, INC.
 2419-1 Fleischmann Road
 Tallahassee, Florida 32308
 FBPE REGISTRY # 9961

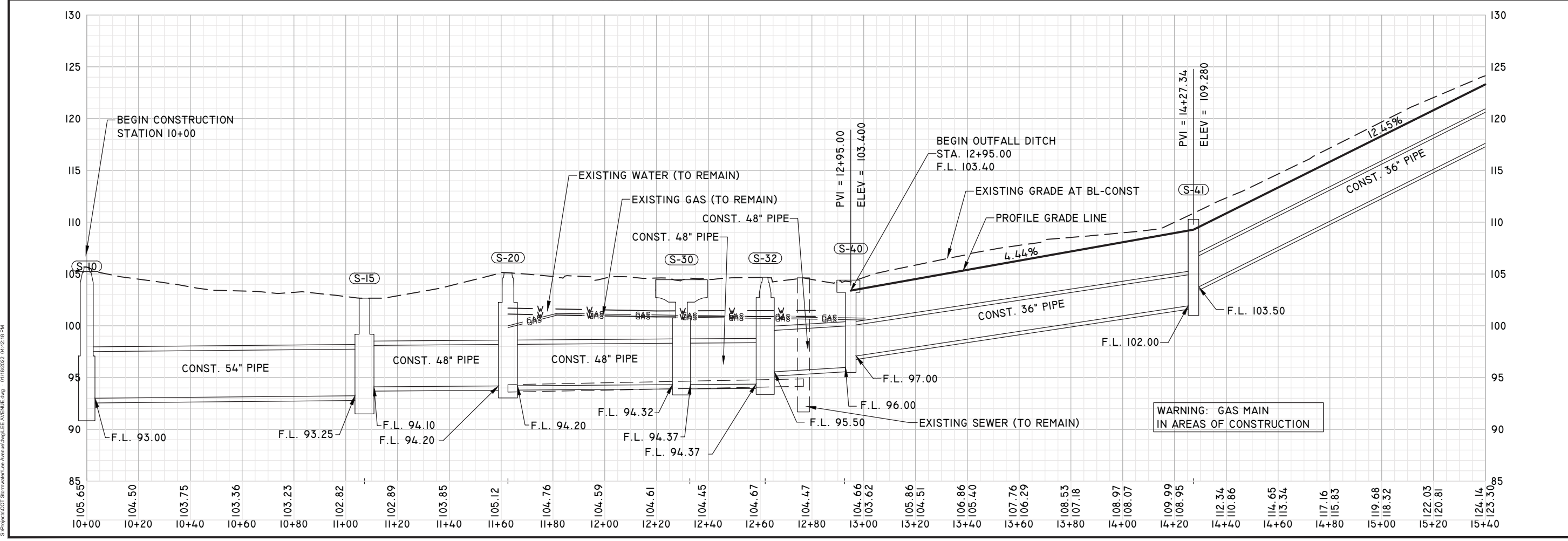
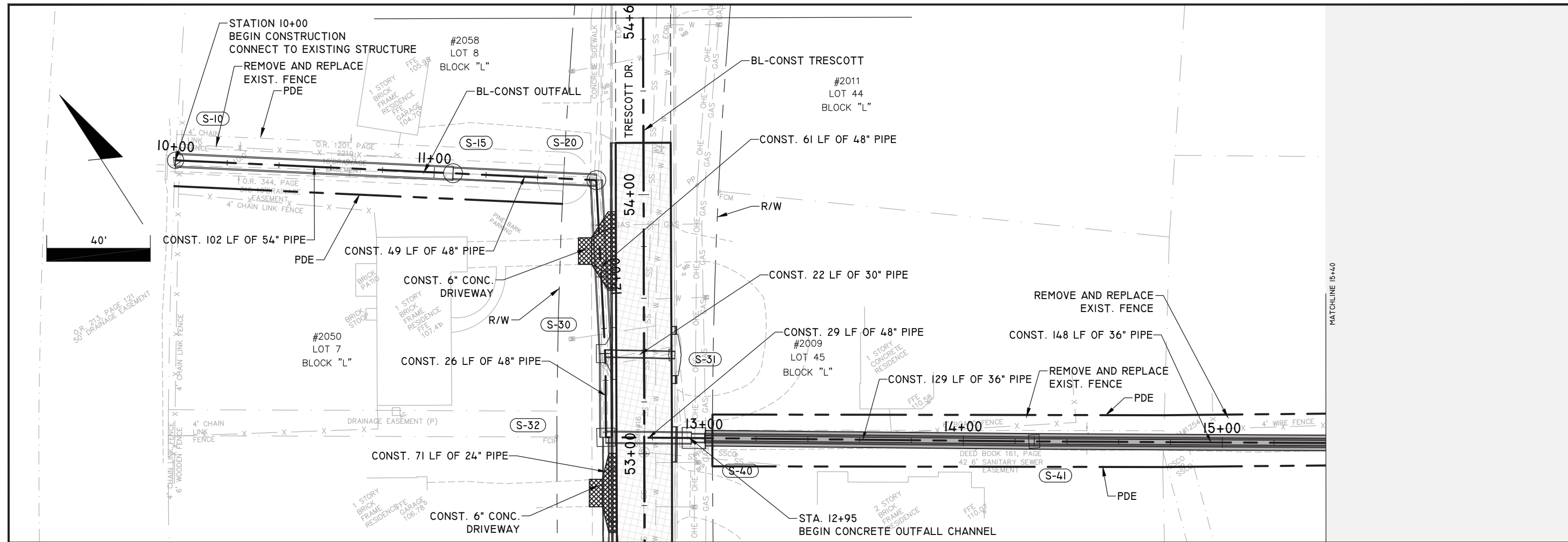
REVISIONS	DATE
1	
2	
3	
4	
5	

PROJECT LAYOUT

BRIARWOOD SUBDIVISION DRAINAGE IMPROVEMENTS

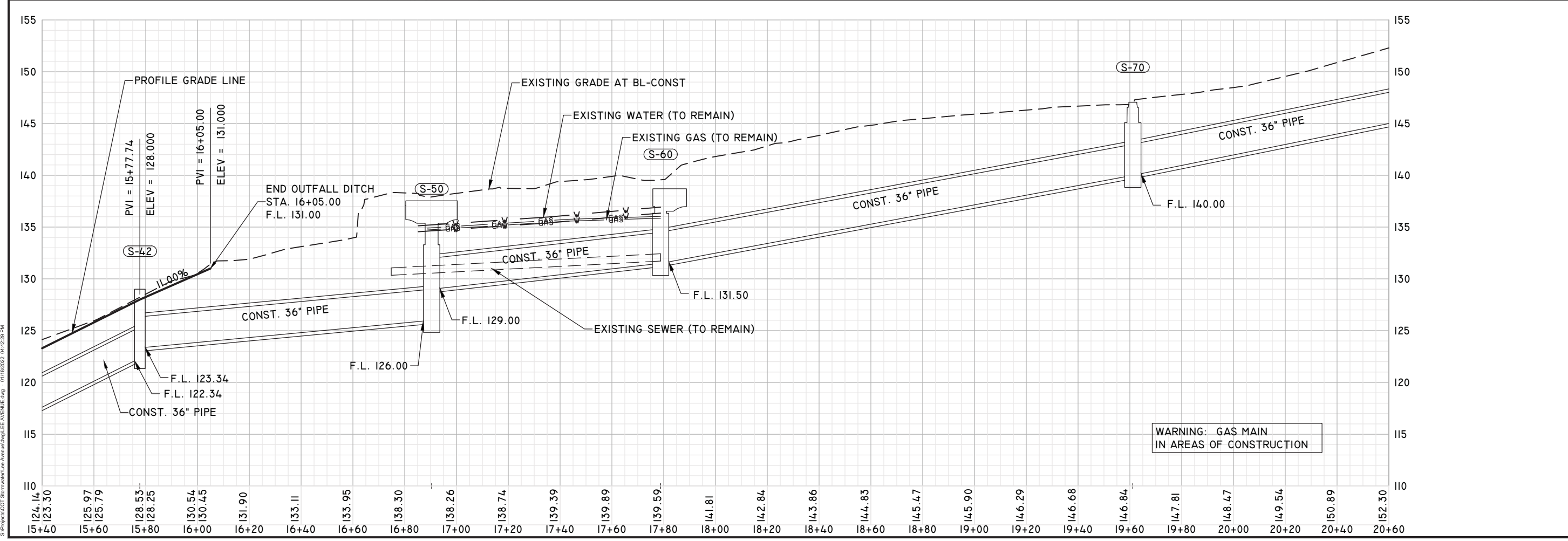
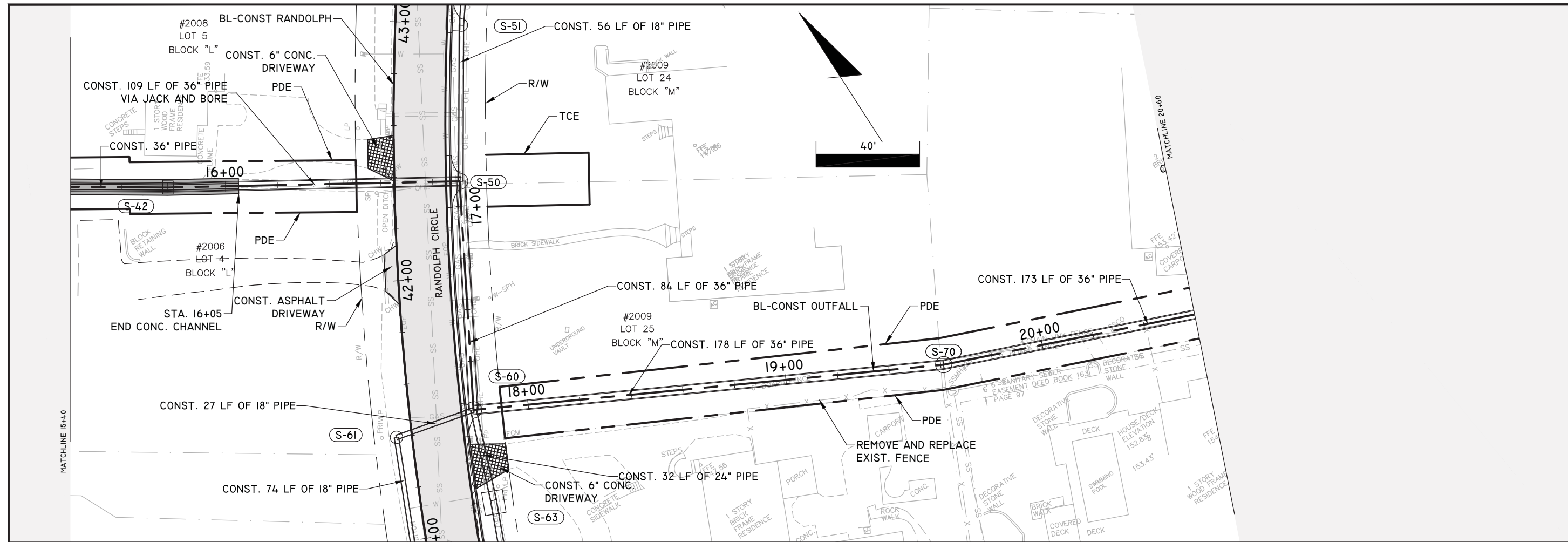
EUTAW, INC.
 ENGINEERING-UTILITIES, TRANSPORTATION AND WATER
 2419 FLEISCHMANN ROAD - STE. 1
 TALLAHASSEE, FL 32308
 PHONE : (850) 383-9400
 WWW.EUTAWINC.COM
 FBPE REGISTRY #9961

JOB No.	_____
DRAWN	_____
DESIGNED	_____
CHECKED	_____
QC	_____
SHEET	8



User: jlm Date: 01/18/2022 04:42:18 PM
 C:\ProgramData\Bentley\MapGuide\Projects\Lee Avenue\Map - 01/18/2022 04:42:18 PM

ENGINEER OF RECORD LANE P. LUCAS F.P.E. No. 53936 EUTAW, INC. 2419-Fleischmann Road Tallahassee, Florida 32308 WWW.EUTAWINC.COM FPBE REGISTRY # 9961	ORIGINAL REVISIONS: 1 2 3 4 5	PLAN & PROFILE	PROJECT LEE AVENUE DRAINAGE IMPROVEMENT PROJECT
JOB No. _____ DRAWN _____ DESIGNED _____ CHECKED _____ QC _____ SHEET		EUTAW, INC. ENGINEERING-UTILITIES, TRANSPORTATION AND WATER 2419 FLEISCHMANN ROAD, STE. 1 TALLAHASSEE, FL 32308 PHONE: (850) 383-0400 WWW.EUTAWINC.COM FPBE REGISTRY # 9961	
SHEET		9	



WARNING: GAS MAIN
IN AREAS OF CONSTRUCTION

ENGINEER OF RECORD
LANE P LUCAS
FL.P.E. No. 53936

EUTAW, INC.
2419-1 Fleischmann Road
Tallahassee, Florida 32308
FBPE REGISTRY # 9961

REVISIONS:

1	ORIGINAL
2	
3	
4	
5	

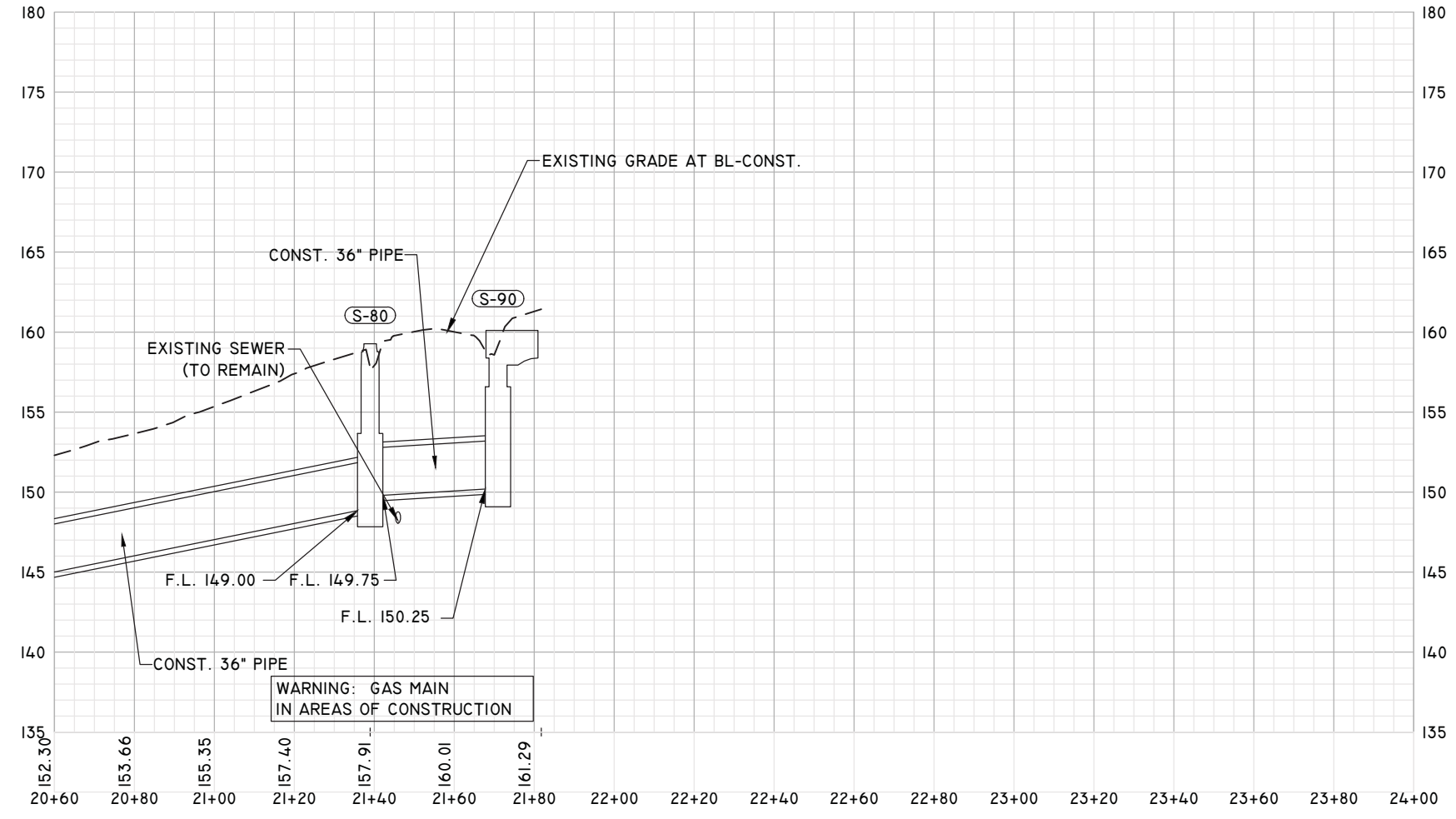
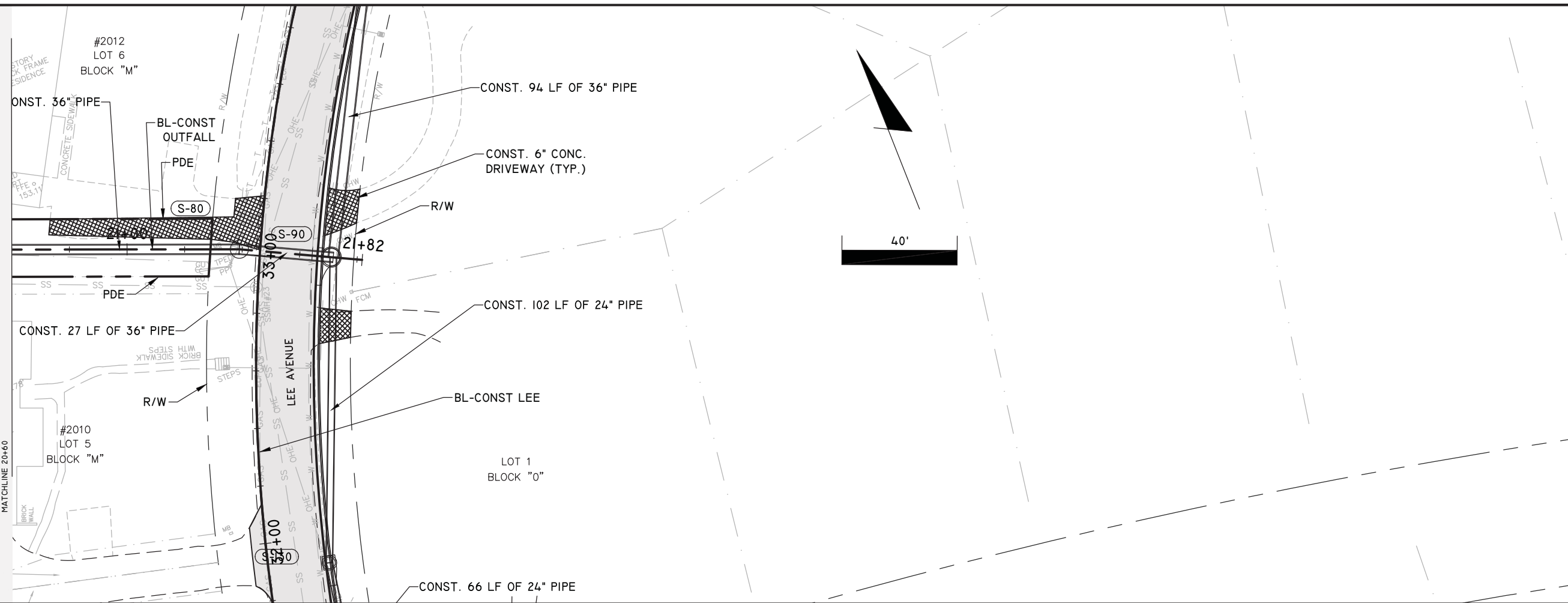
PLAN & PROFILE

PROJECT: LEE AVENUE DRAINAGE IMPROVEMENT PROJECT

EUTAW, INC.
ENGINEERING-UTILITIES, TRANSPORTATION AND WATER
2419 FLEISCHMANN ROAD, STE. 1 TALLAHASSEE, FL 32308
PHONE: (850) 383-0400
WWW.EUTAWINC.COM
FBPE REGISTRY #9961

JOB No. _____
DRAWN _____
DESIGNED _____
CHECKED _____
QC _____

SHEET 10



ENGINEER OF RECORD
 LANE P LUCAS
 F.L.P.E. No. 53936
EUTAW, INC.
 2419-1 Fleischmann Road
 Tallahassee, Florida 32308
 www.eutawinc.com
 FBPE REGISTRY # 9961

REVISIONS:

NO.	DATE	DESCRIPTION
1		
2		
3		
4		
5		

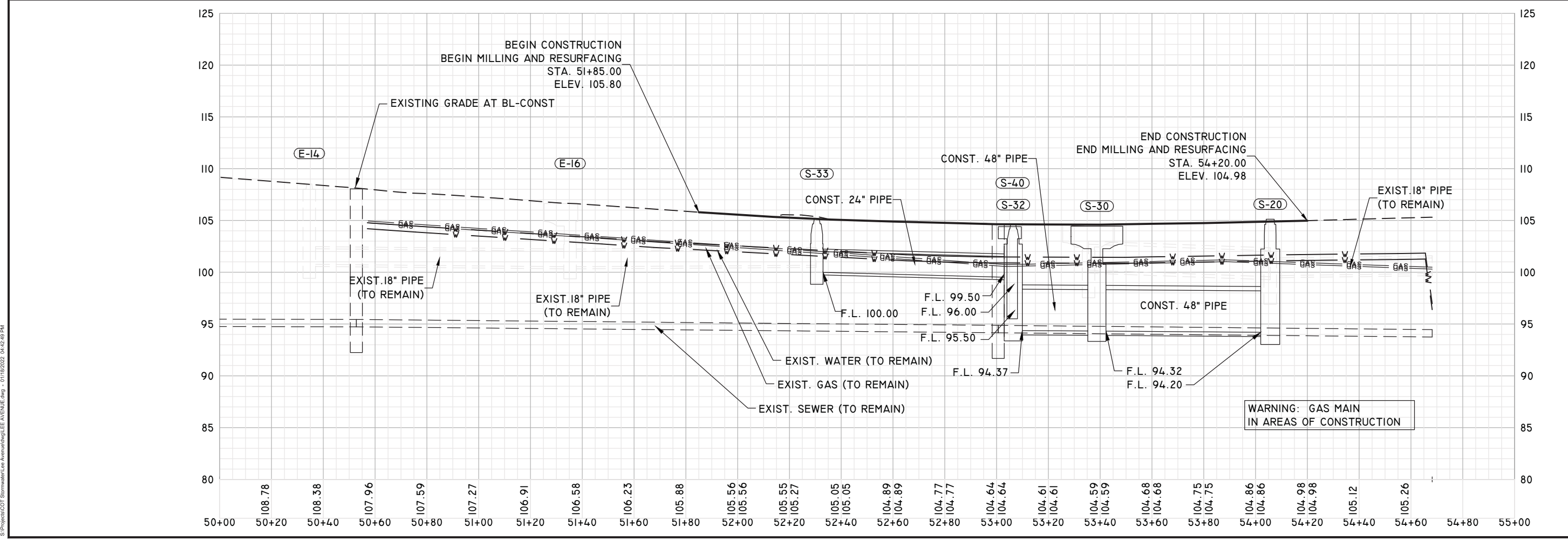
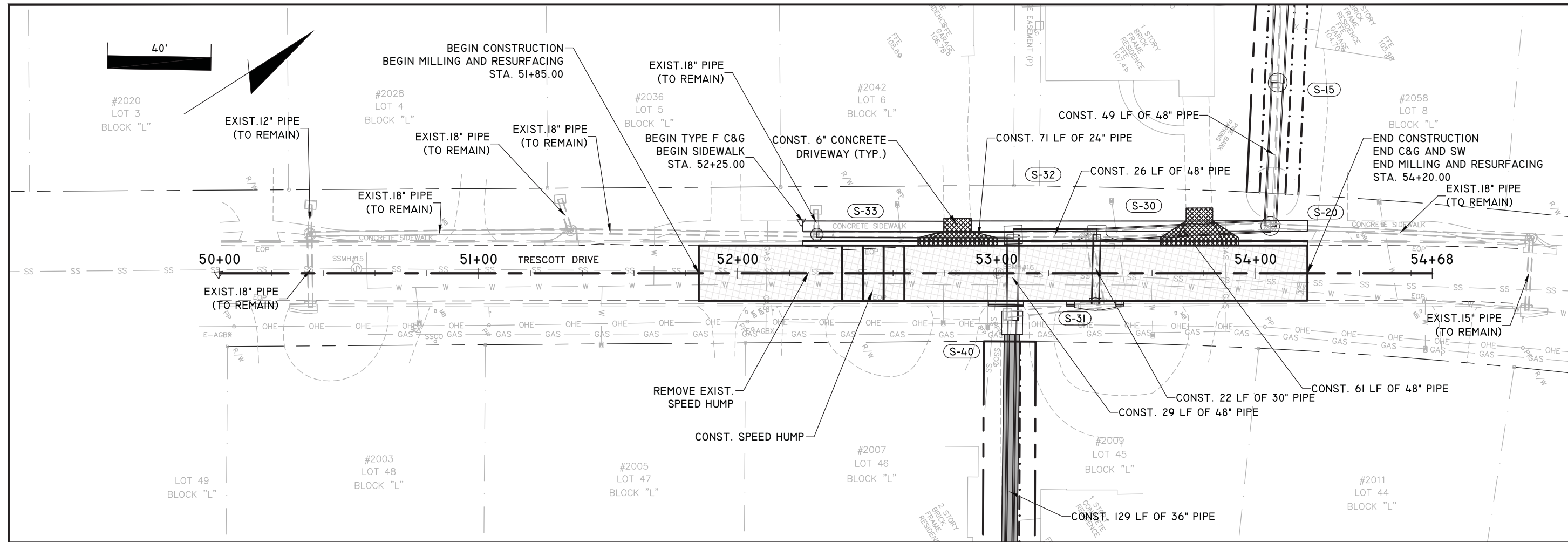
PLAN & PROFILE

PROJECT
**LEE AVENUE
 DRAINAGE
 IMPROVEMENT
 PROJECT**

EUTAW, INC.
 ENGINEERING-UTILITIES, TRANSPORTATION AND WATER
 2419 FLEISCHMANN ROAD, STE. 1
 TALLAHASSEE, FL 32308
 PHONE: (850) 383-9400
 WWW.EUTAWINC.COM
 FBPE REGISTRY #9961

JOB No. _____
 DRAWN _____
 DESIGNED _____
 CHECKED _____
 QC _____
 SHEET 11

U:\Projects\DOT Stormwater\Lee Avenue\Lee Avenue.dwg - 01/19/2022 04:42:39 PM



ENGINEER OF RECORD
 LANE P. LUCAS
 F.P.E. No. 53936
EUTAW, INC.
 2419-1 Fleischmann Road
 Tallahassee, Florida 32308
 FBPE REGISTRY # 9961

REVISIONS:
 1
 2
 3
 4
 5

PLAN & PROFILE

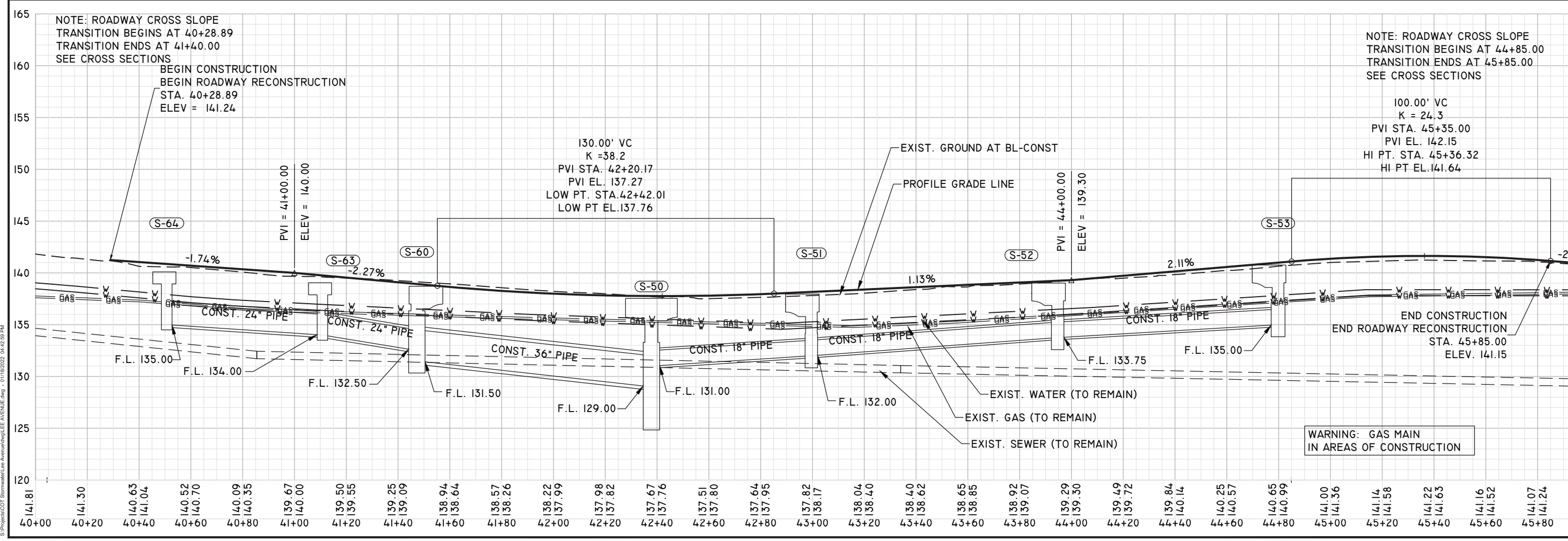
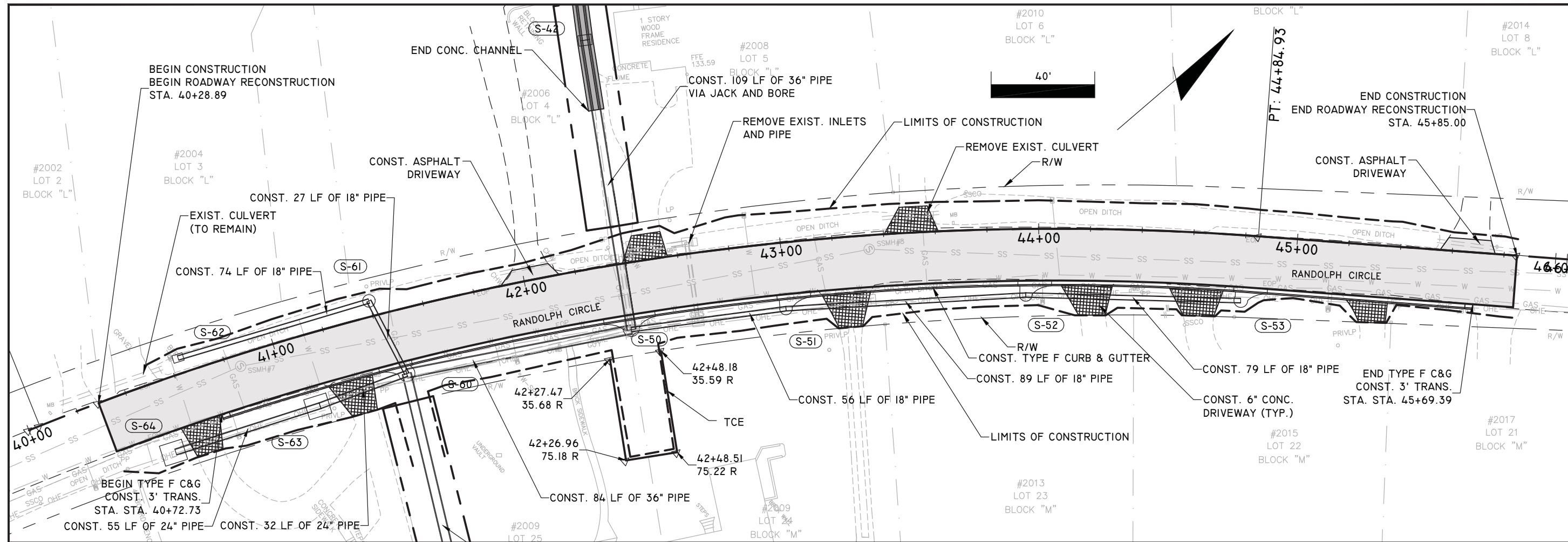
PROJECT
LEE AVENUE DRAINAGE IMPROVEMENT PROJECT

EUTAW, INC.
 ENGINEERING-UTILITIES, TRANSPORTATION AND WATER
 2419 FLEISCHMANN ROAD, STE. 1
 TALLAHASSEE, FL 32308
 PHONE: (850) 383-9400
 WWW.EUTAWINC.COM
 FBPE REGISTRY #9961

JOB No. _____
 DRAWN _____
 DESIGNED _____
 CHECKED _____
 QC _____

SHEET 12

U:\Projects\DOT\Stormwater\Lee Avenue\Lee Avenue.dwg - 01/19/2022 04:42:49 PM



ENGINEER OF RECORD
 LANE P. LUCAS
 F.P.E. No. 53936

EUTAW, INC.
 2419-1 Fleischmann Road
 Tallahassee, Florida 32308
 F.P.B.E. REGISTRY # 9961

REVISIONS:
 1
 2
 3
 4
 5

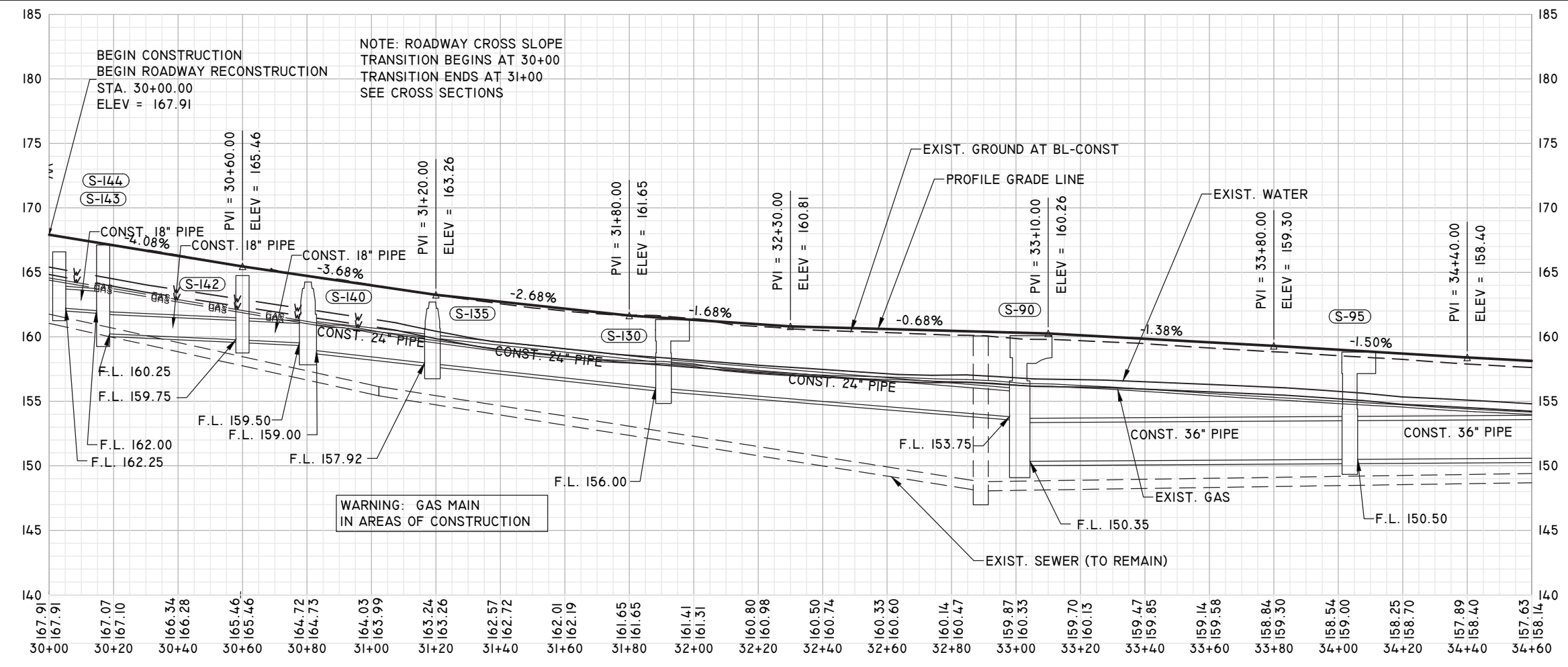
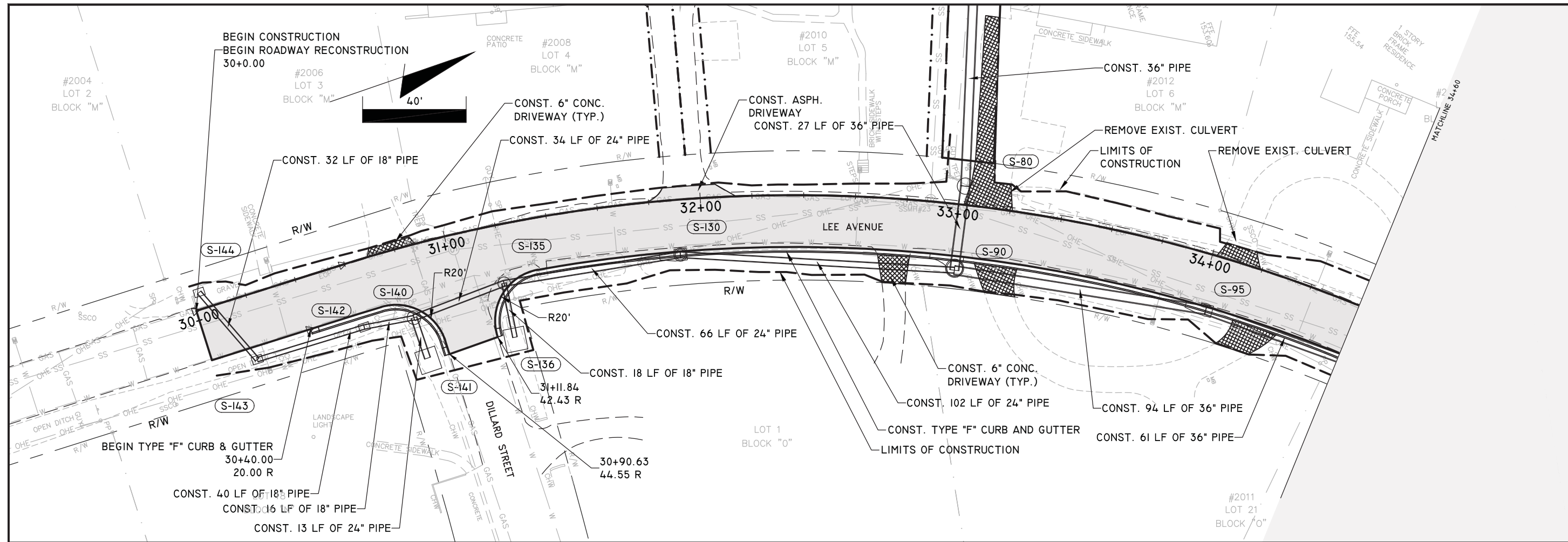
PLAN & PROFILE

PROJECT
 LEE AVENUE
 DRAINAGE
 IMPROVEMENT
 PROJECT

EUTAW, INC.
 ENGINEERING-UTILITIES, TRANSPORTATION AND WATER
 2419 FLEISCHMANN ROAD, STE. 1
 TALLAHASSEE, FL 32308
 PHONE: (850) 383-0400
 WWW.EUTAWINC.COM
 F.P.B.E. REGISTRY # 9961

JOB No.
 DRAWN
 DESIGNED
 CHECKED
 QC
 SHEET

13



ENGINEER OF RECORD
LANE P. LUCAS
FL.P.E. No. 53936

EUTAW, INC.
2419 FLEISCHMANN ROAD
TALLAHASSEE, FLORIDA 32308
WWW.EUTAWINC.COM
FBPE REGISTRY # 9961

REVISIONS:

1	
2	
3	
4	
5	

PLAN & PROFILE

LEE AVENUE
DRAINAGE
IMPROVEMENT
PROJECT

EUTAW, INC.
ENGINEERING-UTILITIES, TRANSPORTATION AND WATER

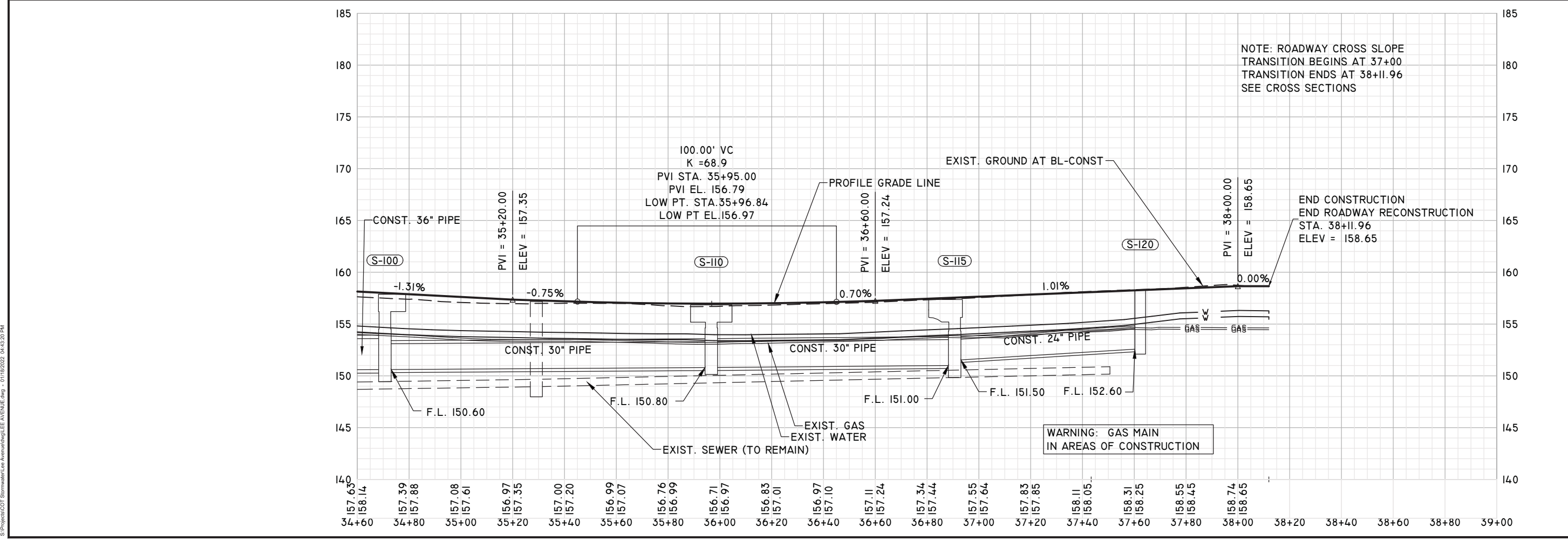
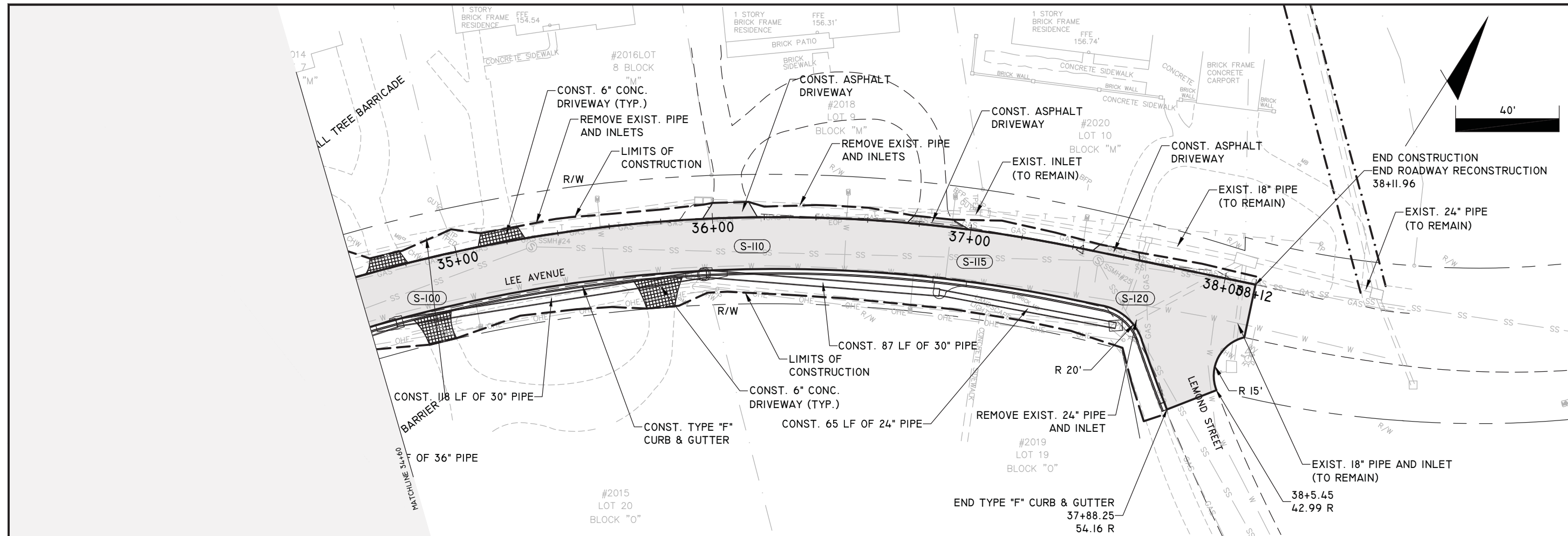
2419 FLEISCHMANN ROAD, STE. 1
TALLAHASSEE, FL 32308
PHONE: (850) 383-0400
WWW.EUTAWINC.COM

FBPE REGISTRY # 9961

JOB No. _____
DRAWN _____
DESIGNED _____
CHECKED _____
QC _____

SHEET 14

U:\Projects\COT\Borrowment\Lee Avenue\Lee Avenue.dwg - 01/18/2022 04:43:09 PM



ENGINEER OF RECORD
 LANE P. LUCAS
 F.P.E. No. 53936
EUTAW, INC.
 2419-1 Fleischmann Road
 Tallahassee, Florida 32308
 F.P.B.E. REGISTRY # 9961

REVISIONS:
 1
 2
 3
 4
 5

PLAN & PROFILE

PROJECT
LEE AVENUE DRAINAGE IMPROVEMENT PROJECT

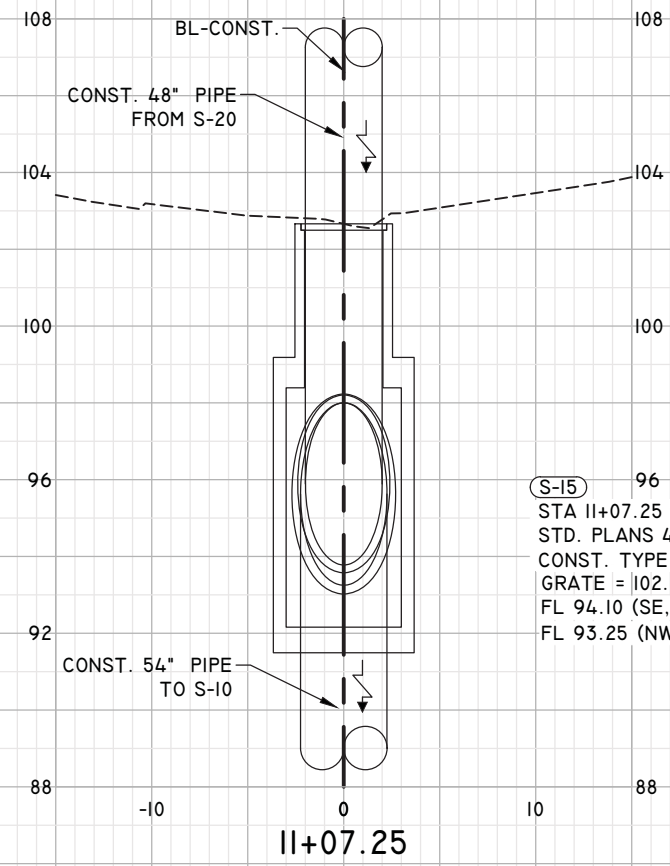
ENGINEERING UTILITIES, TRANSPORTATION AND WATER
EUTAW, INC.
 2419 FLEISCHMANN ROAD, STE. 1
 TALLAHASSEE, FL 32308
 PHONE: (850) 383-0400
 WWW.EUTAWINC.COM
 F.P.B.E. REGISTRY # 9961

JOB No. _____
 DRAWN _____
 DESIGNED _____
 CHECKED _____
 QC _____

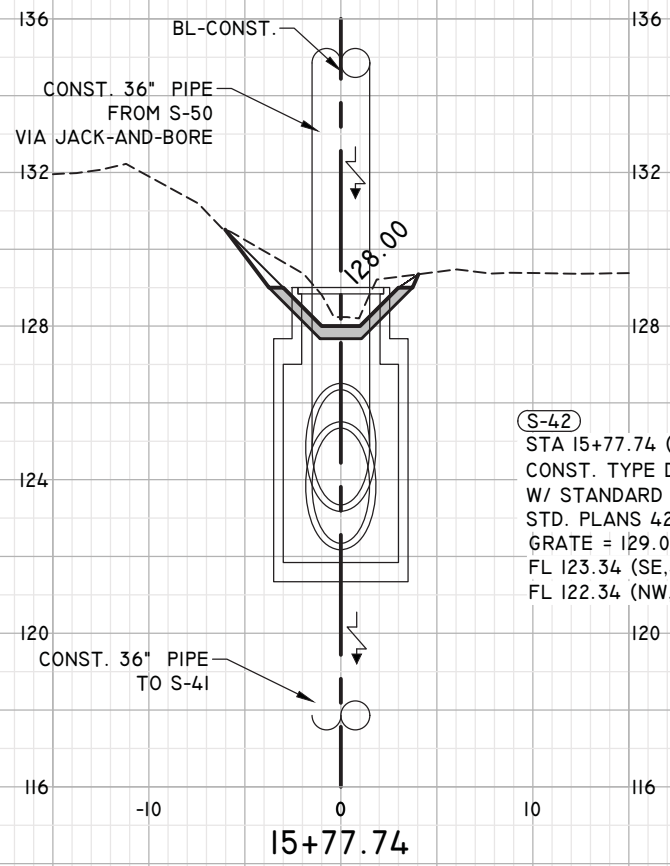
SHEET
 15

U:\Projects\DOT\Borrow\Lee Avenue\Lee Avenue.dwg - 01/19/2022 04:43:20 PM

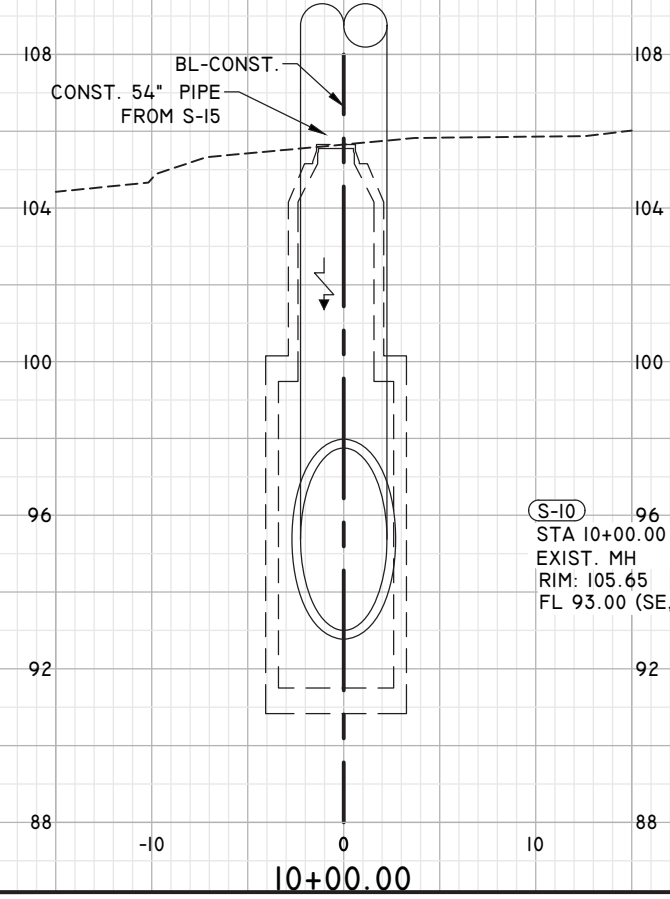
OUTFALL



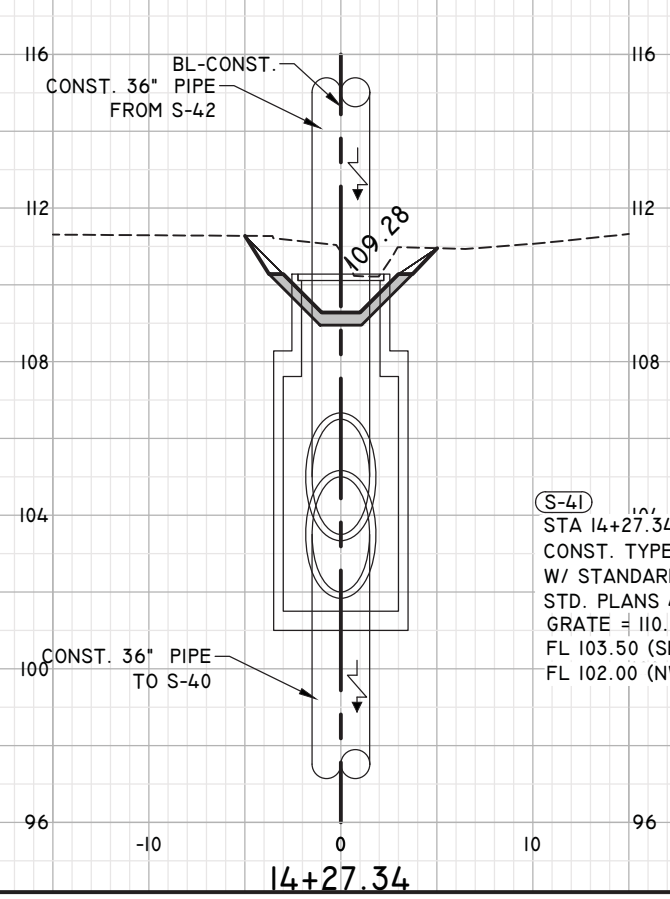
(S-15)
 STA 11+07.25 (0.00)
 STD. PLANS 425-052, 425-001, 425-010
 CONST. TYPE D DBI W/ J BOTTOM (6')
 GRATE = 102.66
 FL 94.10 (SE,48")
 FL 93.25 (NW,54")



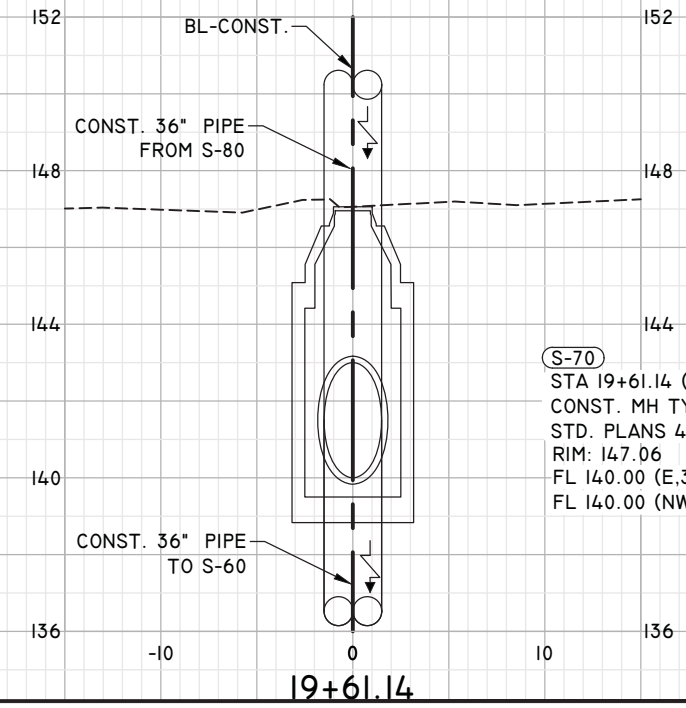
(S-42)
 STA 15+77.74 (0.00)
 CONST. TYPE D DBI W/ J-BOTTOM (6')
 W/ STANDARD SLOT (E)
 STD. PLANS 425-001,425-010, 425-052
 GRATE = 129.00
 FL 123.34 (SE,36")
 FL 122.34 (NW,36")



(S-10)
 STA 10+00.00 (0.00)
 EXIST. MH
 RIM: 105.65
 FL 93.00 (SE,54")



(S-41)
 STA 14+27.34 (0.00)
 CONST. TYPE D DBI W/ J-BOTTOM (6')
 W/ STANDARD SLOT (E)
 STD. PLANS 425-001, 425-010, 425-052
 GRATE = 110.28
 FL 103.50 (SE,36")
 FL 102.00 (NW,36")



(S-70)
 STA 19+61.14 (0.00)
 CONST. MH TYPE J-8 (5')
 STD. PLANS 425-001, 425-010
 RIM: 147.06
 FL 140.00 (E,36")
 FL 140.00 (NW,36")

ENGINEER OF RECORD
 F.P.E. No.
EUTAW, INC.
 2419-1 Fleischmann Road
 Tallahassee, Florida 32308
 PHONE: (904) 383-9400
 WWW.EUTAWINC.COM
 FPBE REGISTRY # 9961

NO.	REVISIONS
1	ORIGINAL
2	
3	
4	
5	

SHEET
 PROJECT
DRAINAGE STRUCTURES

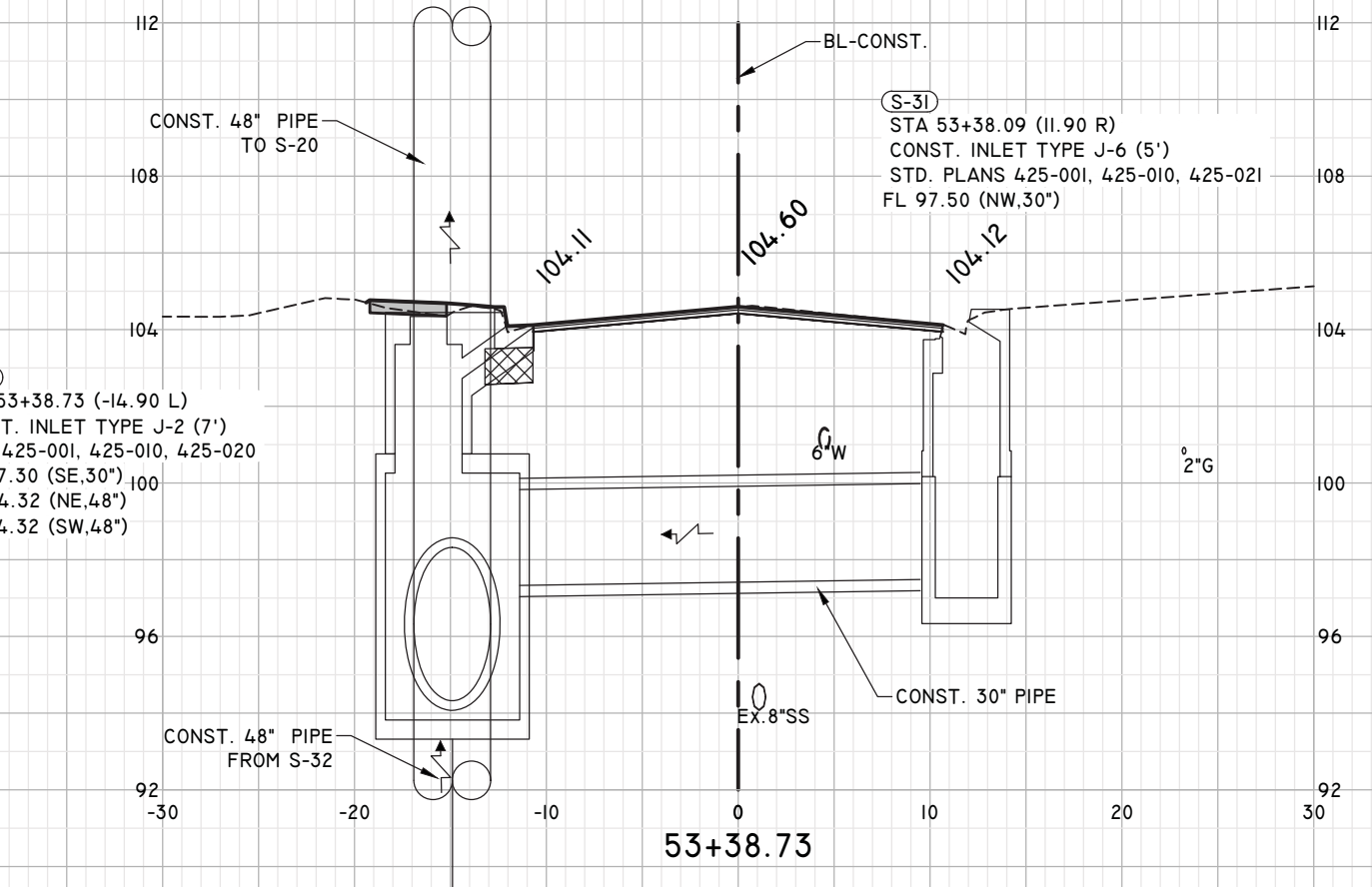
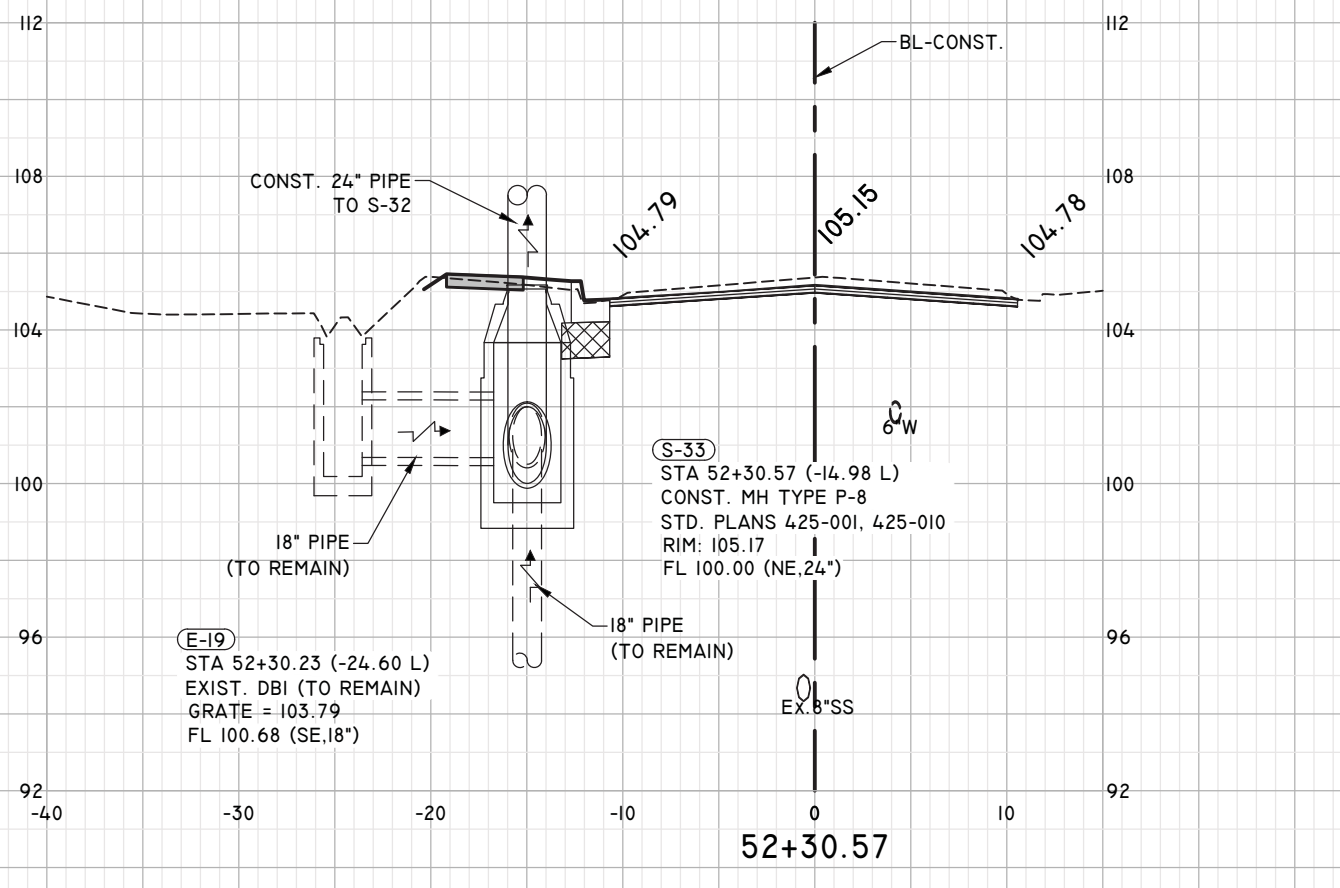
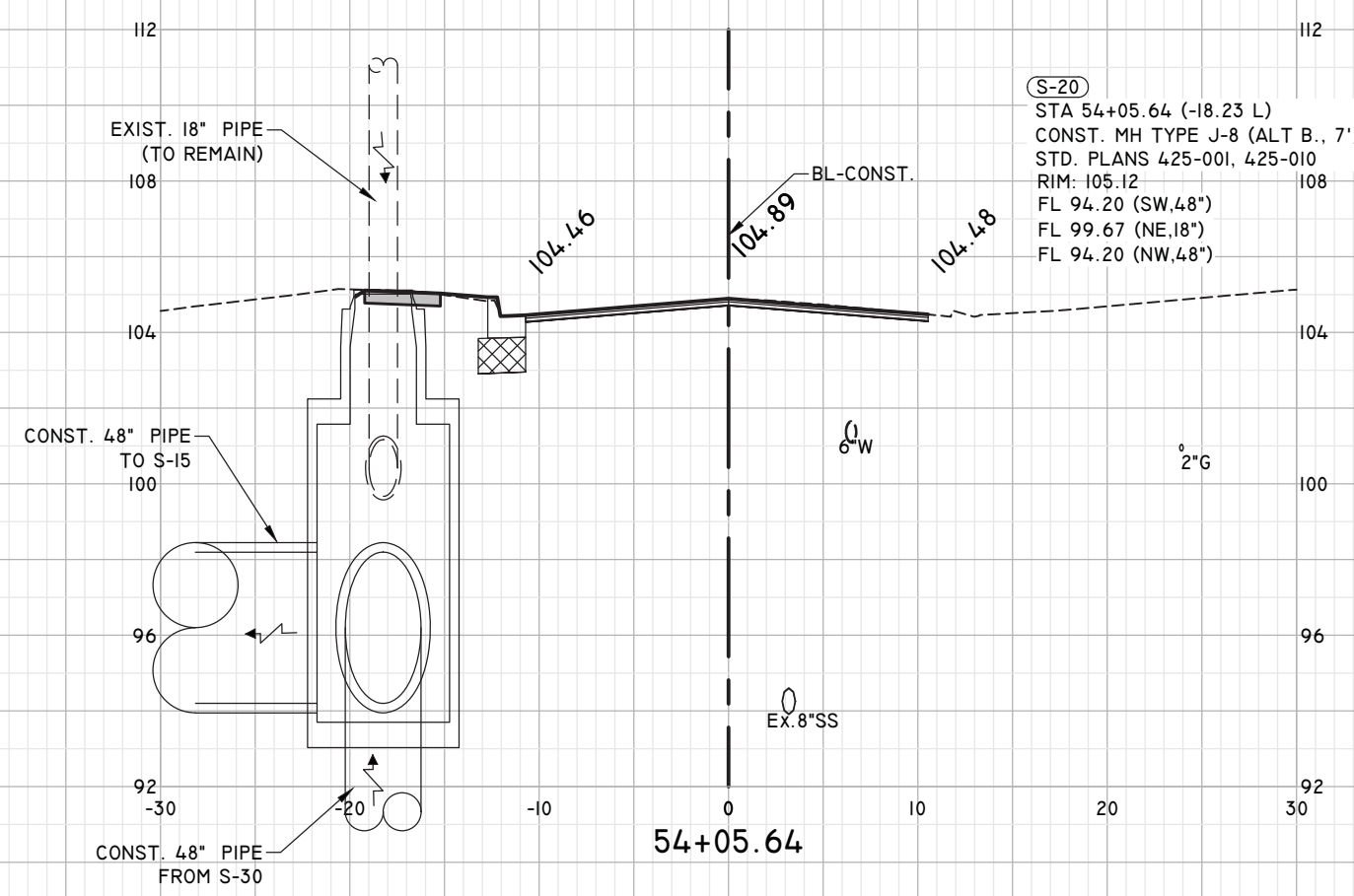
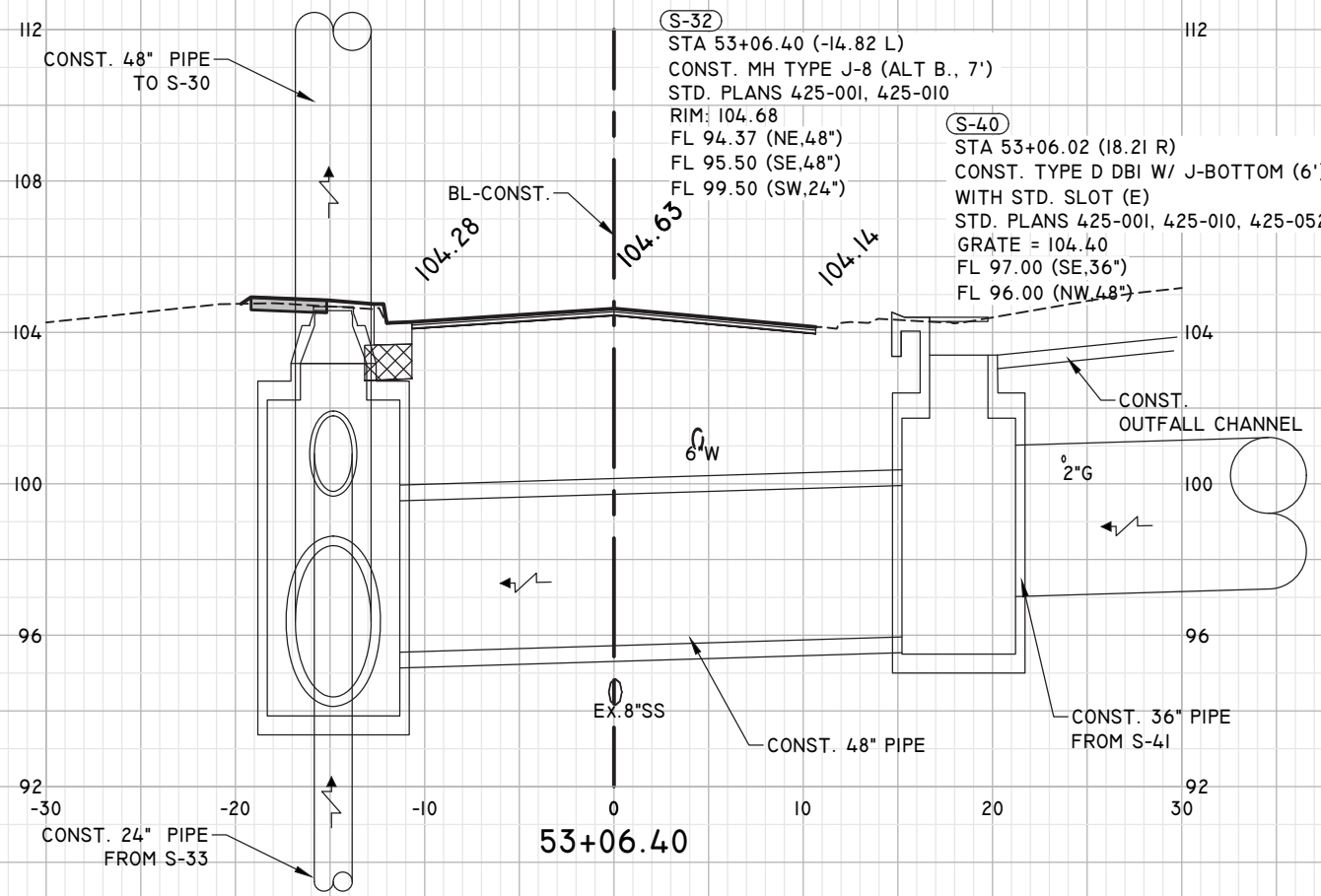
PROJECT
**LEEVE AVENUE
 DRAINAGE
 IMPROVEMENT
 PROJECT**

PROJECT
EUTAW, INC.
 ENGINEERING-UTILITIES, TRANSPORTATION, AND WATER
 2419 FLEISCHMANN ROAD, STE. 1
 TALLAHASSEE, FL 32308
 PHONE : (904) 383-9400
 WWW.EUTAWINC.COM
 FPBE REGISTRY #9961

JOB No.
 DRAWN
 DESIGNED
 CHECKED
 QC
 SHEET
16

U:\GIS\DOT\Stormwater\Lee Avenue\Lee Avenue.dwg - 01/18/2022 04:43:27 PM
 P:\Projects\DOT\Stormwater\Lee Avenue\Lee Avenue.dwg - 01/18/2022 04:43:27 PM

U:\Projects\DOT\Borwick\Lee Ave\DWG\LEE_AVE.dwg - 01/19/2022 04:43:37 PM



TRESCOTT DRIVE

ENGINEER OF RECORD
 F.P.E. No. **EUTAW, INC.**
 2419-1 Fleischmann Road
 Tallahassee, Florida 32308
 FBPE REGISTRY # 9961

REVISIONS	DATE
1	
2	
3	
4	
5	

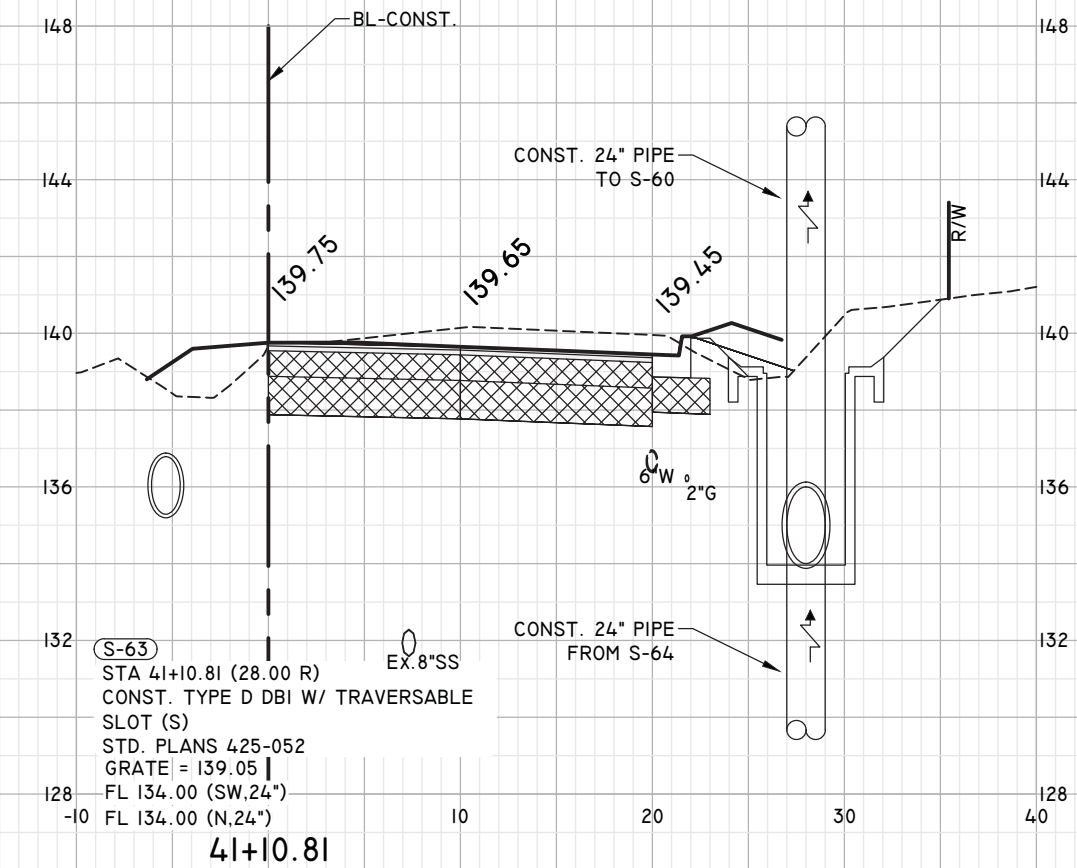
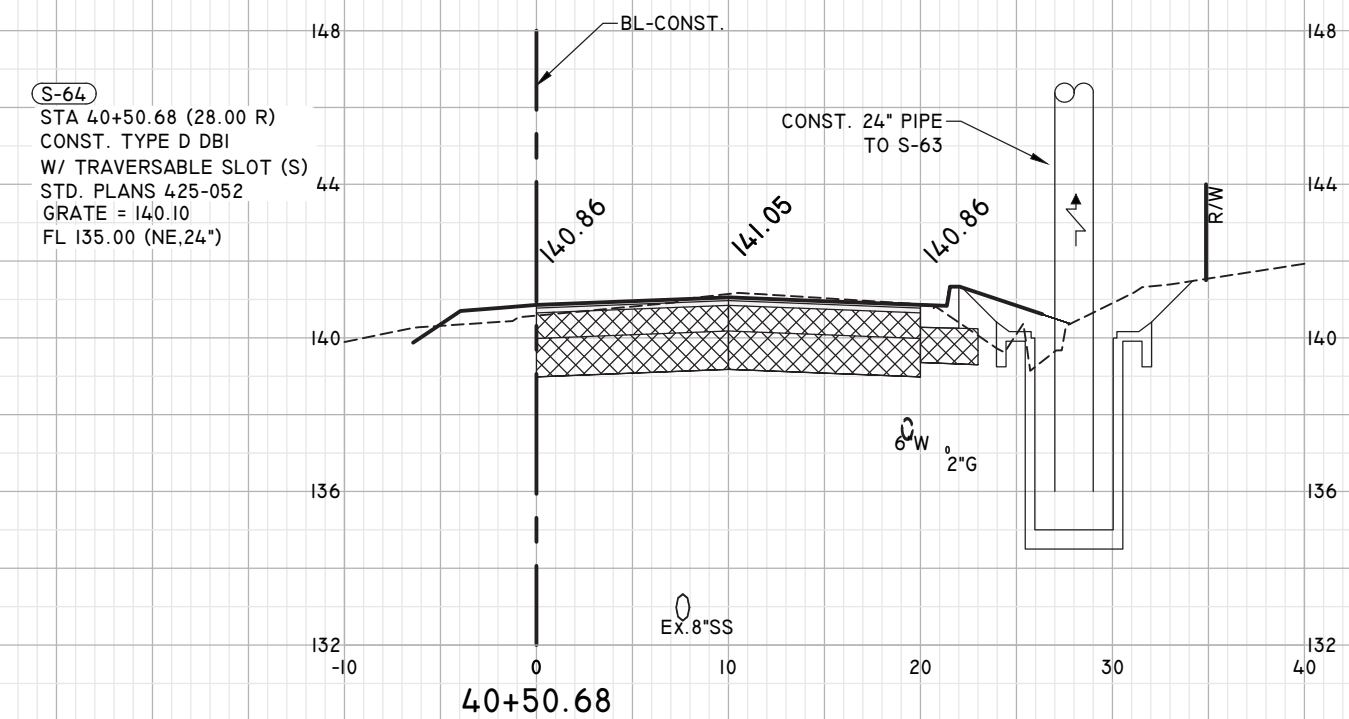
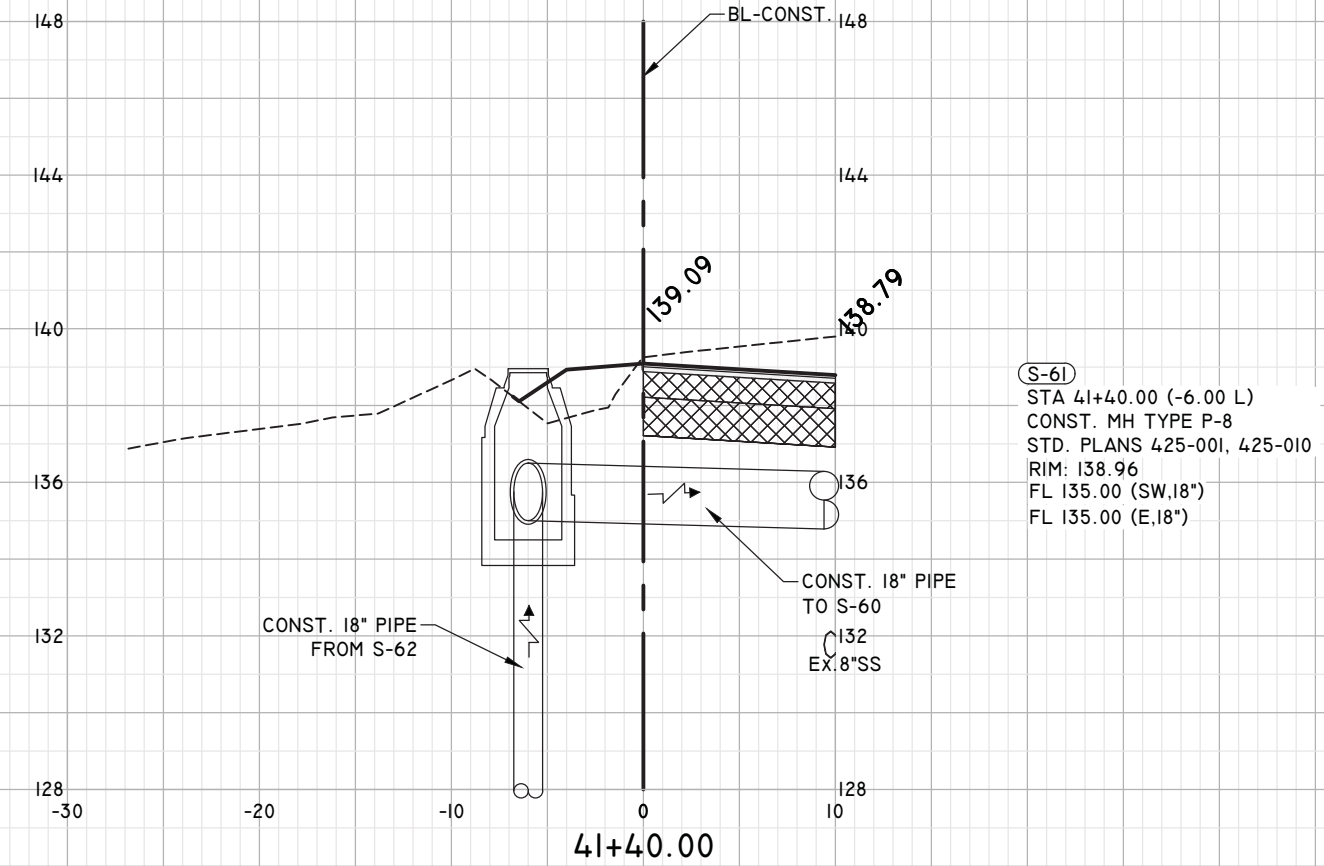
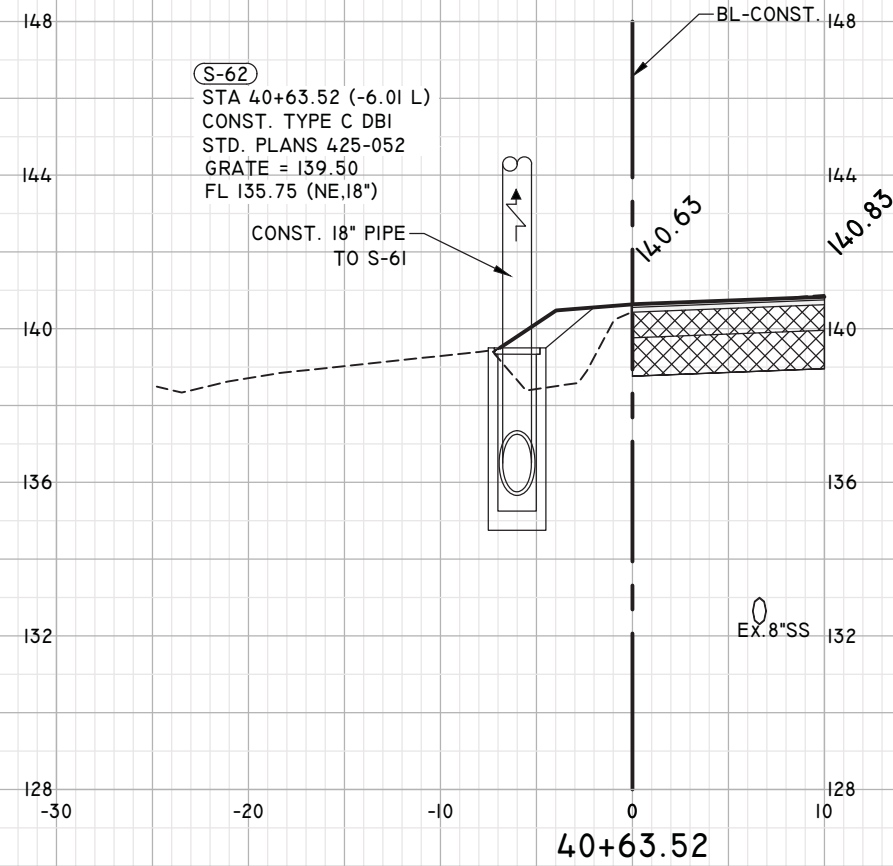
SHEET
DRAINAGE STRUCTURES

PROJECT
**LEE AVENUE
 DRAINAGE
 IMPROVEMENT
 PROJECT**

EUTAW, INC.
 ENGINEERING-UTILITIES, TRANSPORTATION, AND WATER
 2419 FLEISCHMANN ROAD, STE. 1
 TALLAHASSEE, FL 32308
 PHONE : (850) 383-0400
 WWW.EUTAWINC.COM
 FBPE REGISTRY #9961

JOB No. _____
 DRAWN _____
 DESIGNED _____
 CHECKED _____
 QC _____
 SHEET

WEST RANDOLPH CIRCLE



ENGINEER OF RECORD
 F.P.E. No. **EUTAW, INC.**
 2419-Fleischmann Road
 Tallahassee, Florida 32308
 FPBE REGISTRY # 9961

NO.	REVISIONS
1	
2	
3	
4	
5	

SHEET
DRAINAGE STRUCTURES

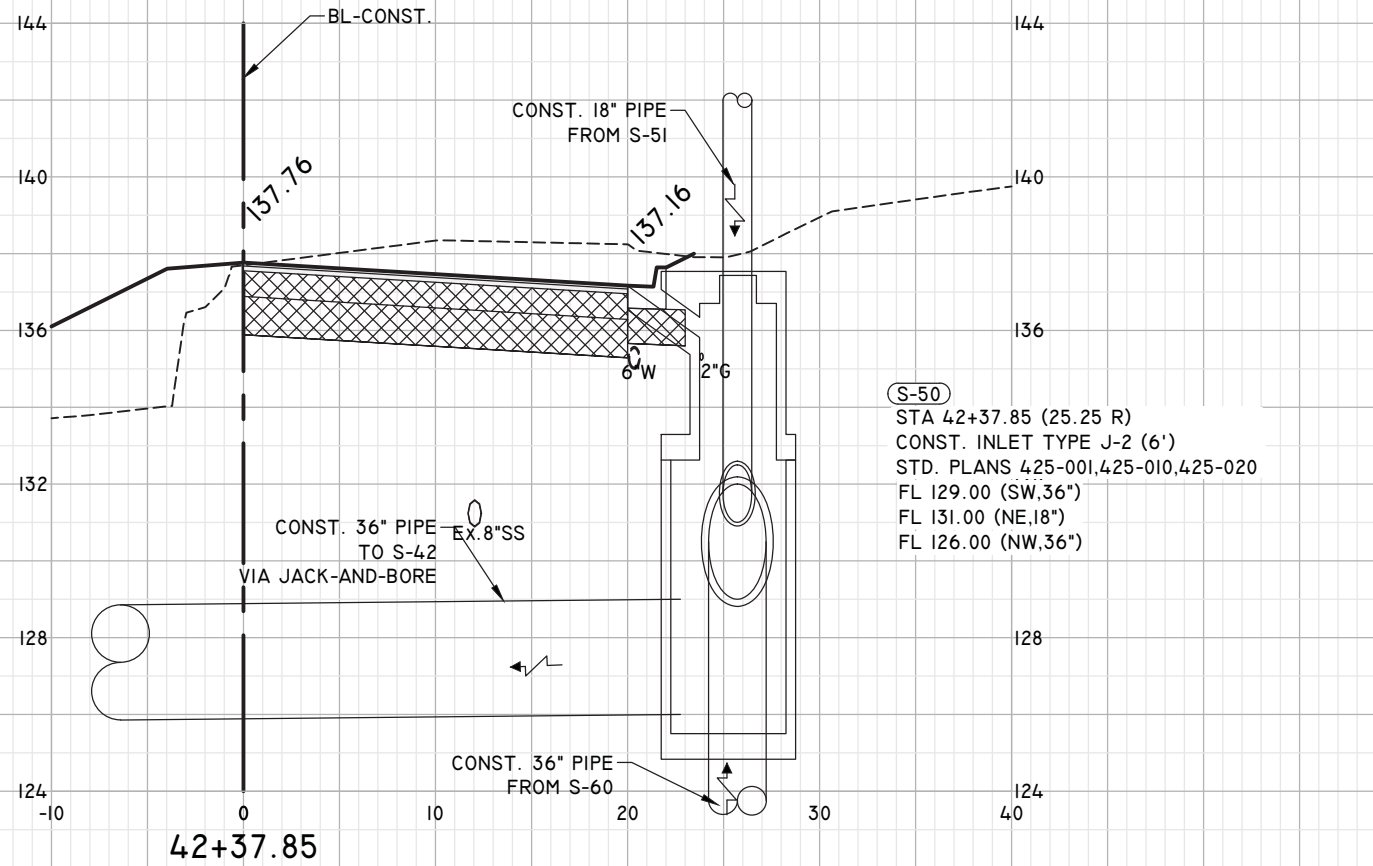
PROJECT
**LEEVE AVENUE
 DRAINAGE
 IMPROVEMENT
 PROJECT**

EUTAW, INC.
 ENGINEERING-UTILITIES, TRANSPORTATION, AND WATER
 2419 FLEISCHMANN ROAD, STE. 1
 TALLAHASSEE, FL 32308
 PHONE : (850) 383-0400
 WWW.EUTAWINC.COM
 FPBE REGISTRY # 9961

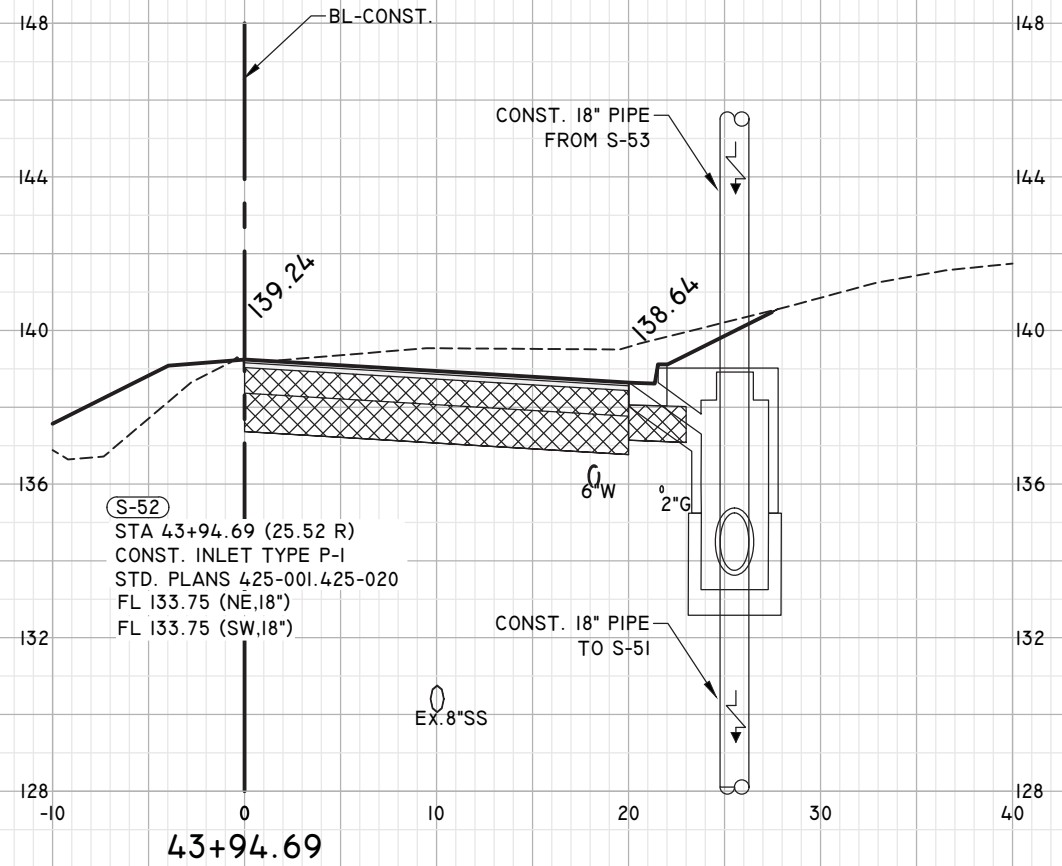
JOB No.	
DRAWN	
DESIGNED	
CHECKED	
QC	
SHEET	18

U:\Projects\COT\Borrower\Leeve Avenue\Leeve Avenue.dwg - 01/19/2022 04:43:47 PM

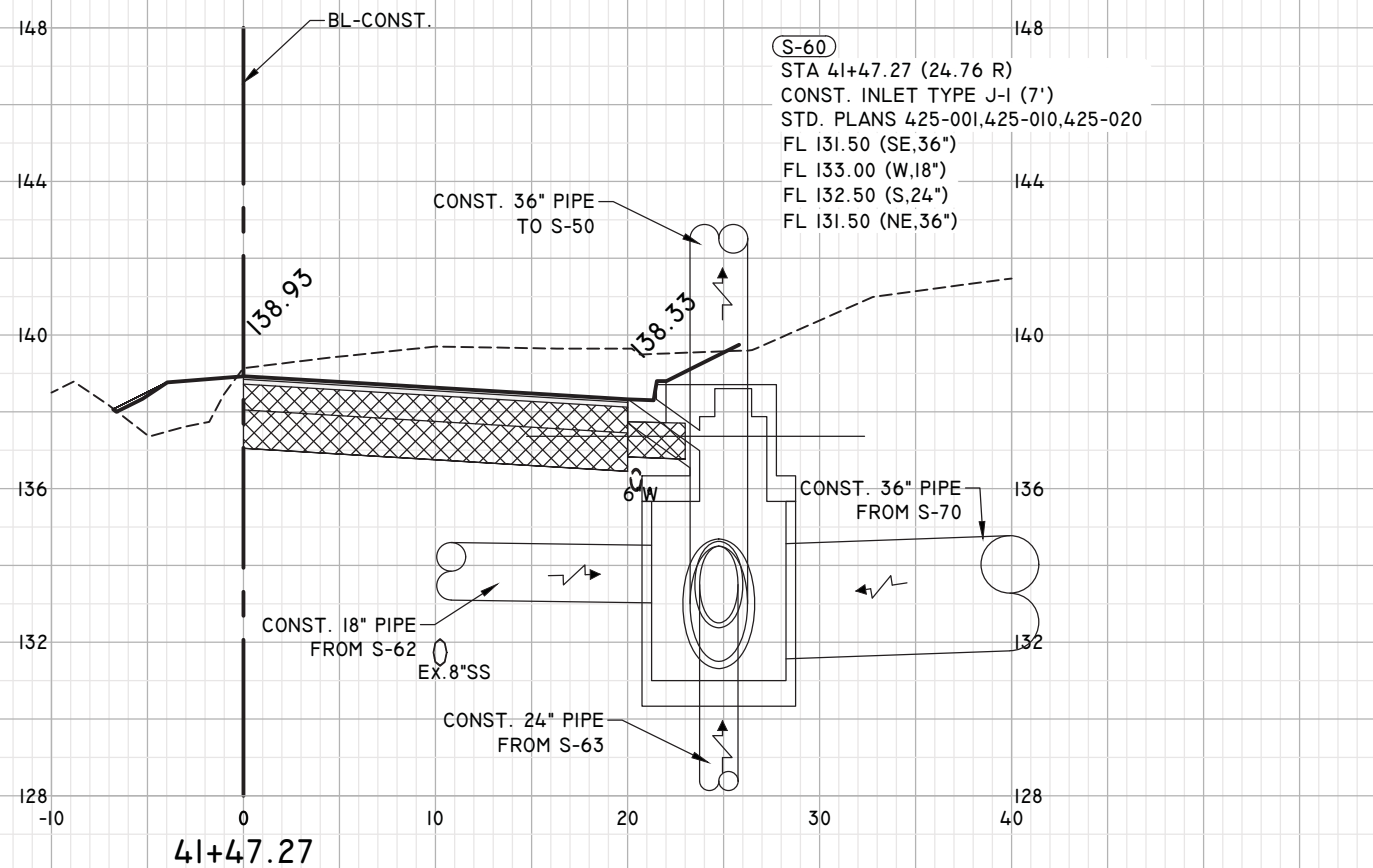
WEST RANDOLPH CIRCLE



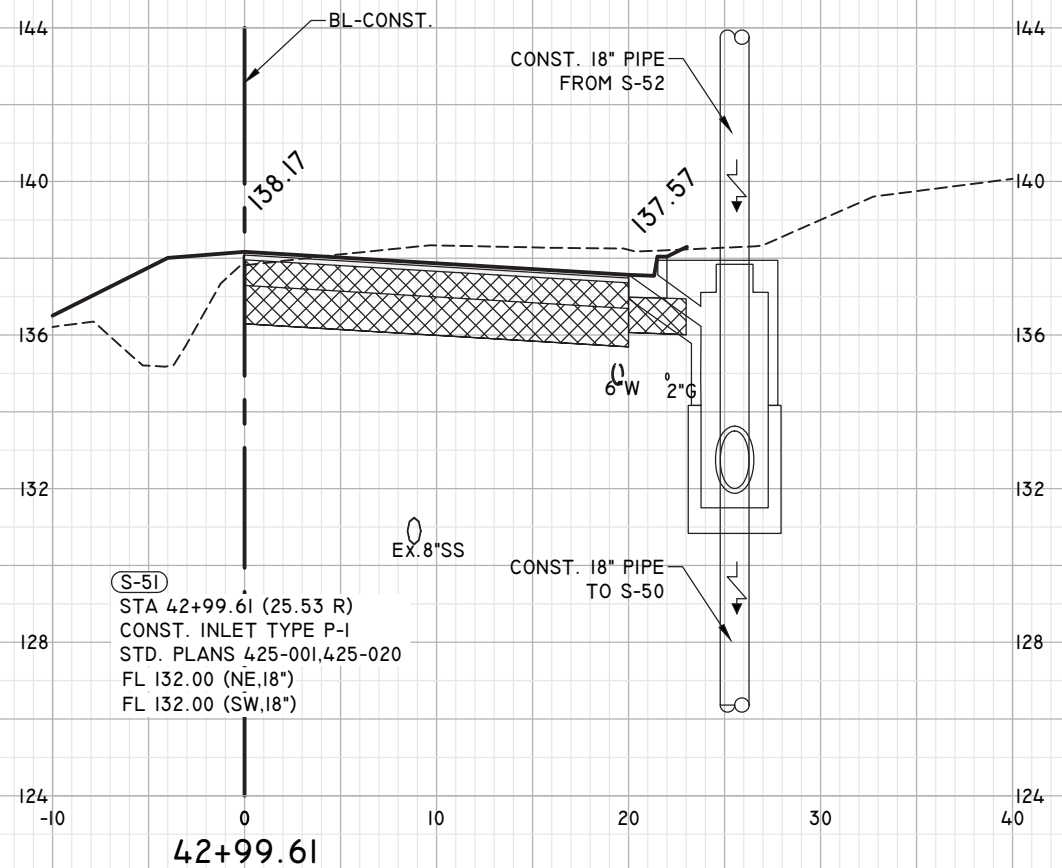
(S-50)
 STA 42+37.85 (25.25 R)
 CONST. INLET TYPE J-2 (6')
 STD. PLANS 425-001,425-010,425-020
 FL 129.00 (SW,36")
 FL 131.00 (NE,18")
 FL 126.00 (NW,36")



(S-52)
 STA 43+94.69 (25.52 R)
 CONST. INLET TYPE P-1
 STD. PLANS 425-001,425-020
 FL 133.75 (NE,18")
 FL 133.75 (SW,18")



(S-60)
 STA 41+47.27 (24.76 R)
 CONST. INLET TYPE J-1 (7')
 STD. PLANS 425-001,425-010,425-020
 FL 131.50 (SE,36")
 FL 133.00 (W,18")
 FL 132.50 (S,24")
 FL 131.50 (NE,36")



(S-51)
 STA 42+99.61 (25.53 R)
 CONST. INLET TYPE P-1
 STD. PLANS 425-001,425-020
 FL 132.00 (NE,18")
 FL 132.00 (SW,18")

ENGINEER OF RECORD
 F.P.E. No.
EUTAW, INC.
 2419-1 Fleischmann Road
 Tallahassee, Florida 32308
 PHONE : (904) 883-9400
 WWW.EUTAWINC.COM
 FBPE REGISTRY # 9961

NO.	REVISIONS
1	ORIGINAL
2	
3	
4	
5	

SHEET
 PROJECT
**LEEVE AVENUE
 DRAINAGE
 IMPROVEMENT
 PROJECT**

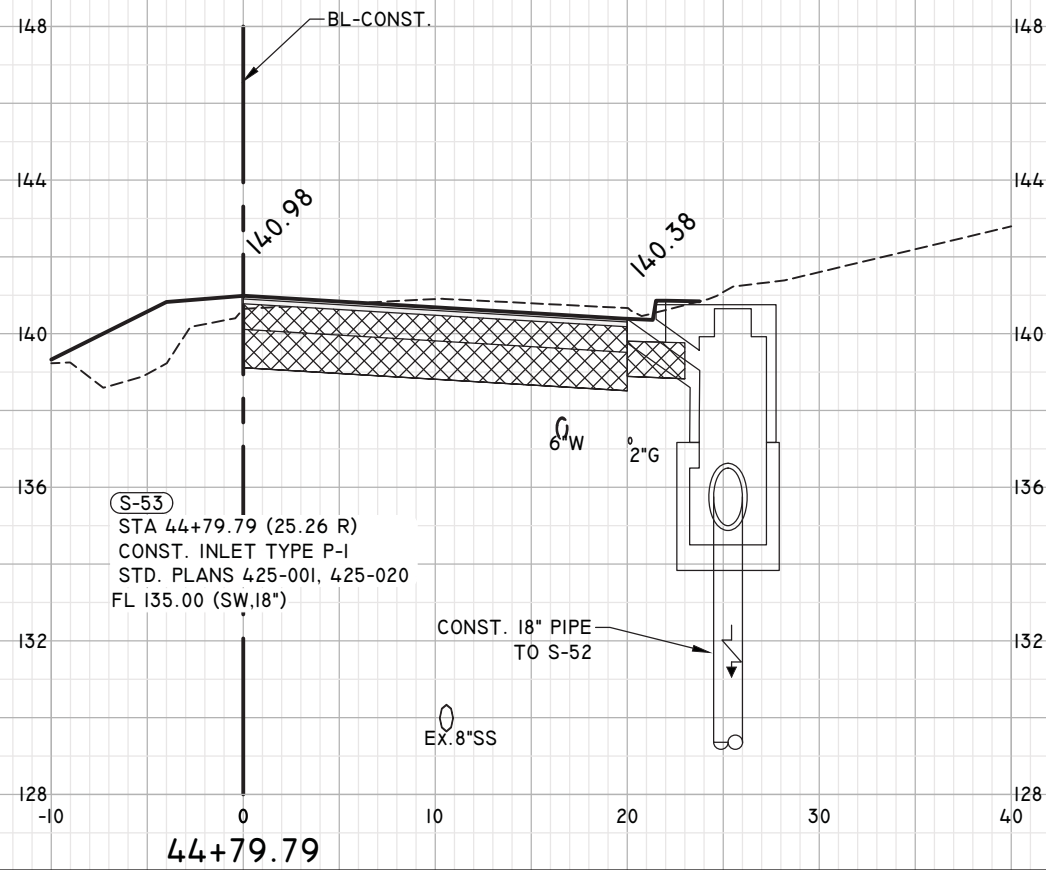
PROJECT
EUTAW, INC.
 ENGINEERING-UTILITIES, TRANSPORTATION, AND WATER
 2419 FLEISCHMANN ROAD, STE. 1
 TALLAHASSEE, FL 32308
 PHONE : (904) 883-9400
 WWW.EUTAWINC.COM
 FBPE REGISTRY #9961

JOB No.
 DRAWN
 DESIGNED
 CHECKED
 QC
 SHEET

19

U:\GIS\Projects\COT\BorrowMaterial\Leeve\Leeve.dwg - 01/19/2022 04:43:57 PM

WEST RANDOLPH CIRCLE



(S-53)
 STA 44+79.79 (25.26 R)
 CONST. INLET TYPE P-1
 STD. PLANS 425-001, 425-020
 FL 135.00 (SW,18")

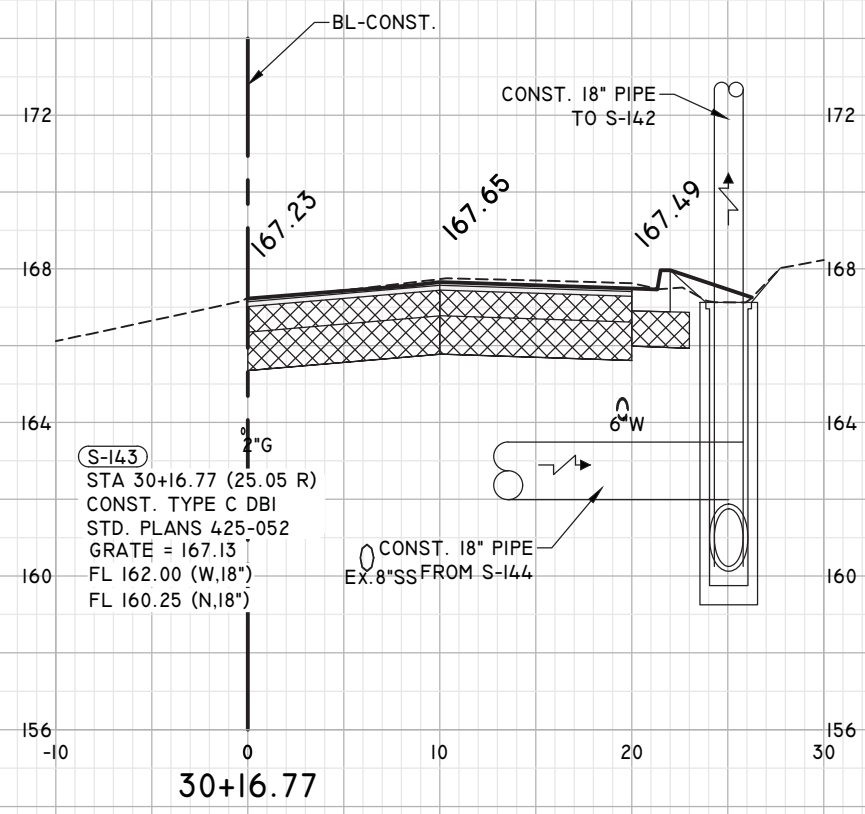
CONST. 18" PIPE
 TO S-52

Ex. 8"SS

U:\GIS\Projects\COT\Borwick\Lee Avenue\Lee Avenue.dwg - 01/19/2022 04:44:07 PM

SHEET	LEEE AVENUE DRAINAGE IMPROVEMENT PROJECT	DRAINAGE STRUCTURES	ENGINEER OF RECORD F.P.E. No. EUTAW, INC. 2419-Fleischmann Road Tallahassee, Florida 32308 FBPE REGISTRY # 9961
PROJECT	EUTAW, INC. ENGINEERING-UTILITIES, TRANSPORTATION, AND WATER 2419 FLEISCHMANN ROAD, STE. 1 TALLAHASSEE, FL 32308 PHONE : (850) 383-9400 WWW.EUTAWINC.COM	ORIGINAL REVISIONS: 1 _____ 2 _____ 3 _____ 4 _____ 5 _____	DATE _____
JOB No.	DRAWN	DESIGNED	CHECKED
QC	QC	QC	QC
SHEET	20		

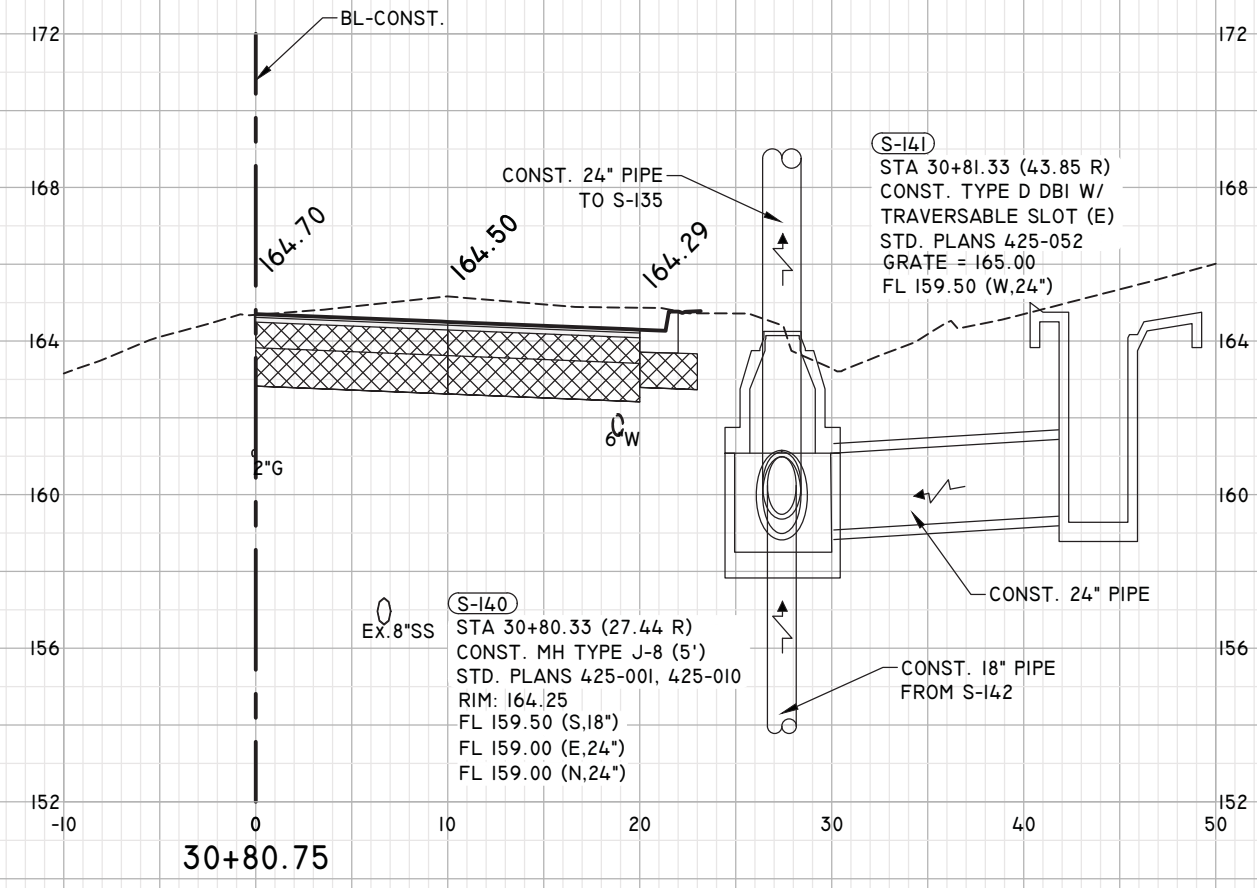
U:\Projects\DOT\Borwick\Lee Ave\Lee Ave.dwg - 01/18/2022 04:44:17 PM



S-143
 STA 30+16.77 (25.05 R)
 CONST. TYPE C DBI
 STD. PLANS 425-052
 GRATE = 167.13
 FL 162.00 (W,18")
 FL 160.25 (N,18")

CONST. 18" PIPE
 TO S-142

CONST. 18" PIPE
 EX. 8"SS FROM S-144

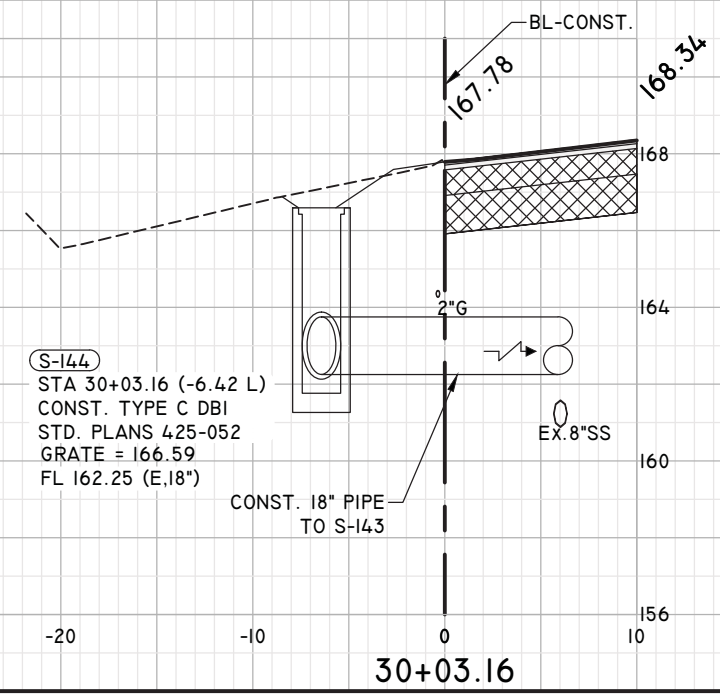


S-140
 STA 30+80.33 (27.44 R)
 CONST. MH TYPE J-8 (5')
 STD. PLANS 425-001, 425-010
 RIM: 164.25
 FL 159.50 (S,18")
 FL 159.00 (E,24")
 FL 159.00 (N,24")

CONST. 24" PIPE
 TO S-135

S-141
 STA 30+81.33 (43.85 R)
 CONST. TYPE D DBI W/
 TRAVERSABLE SLOT (E)
 STD. PLANS 425-052
 GRATE = 165.00
 FL 159.50 (W,24")

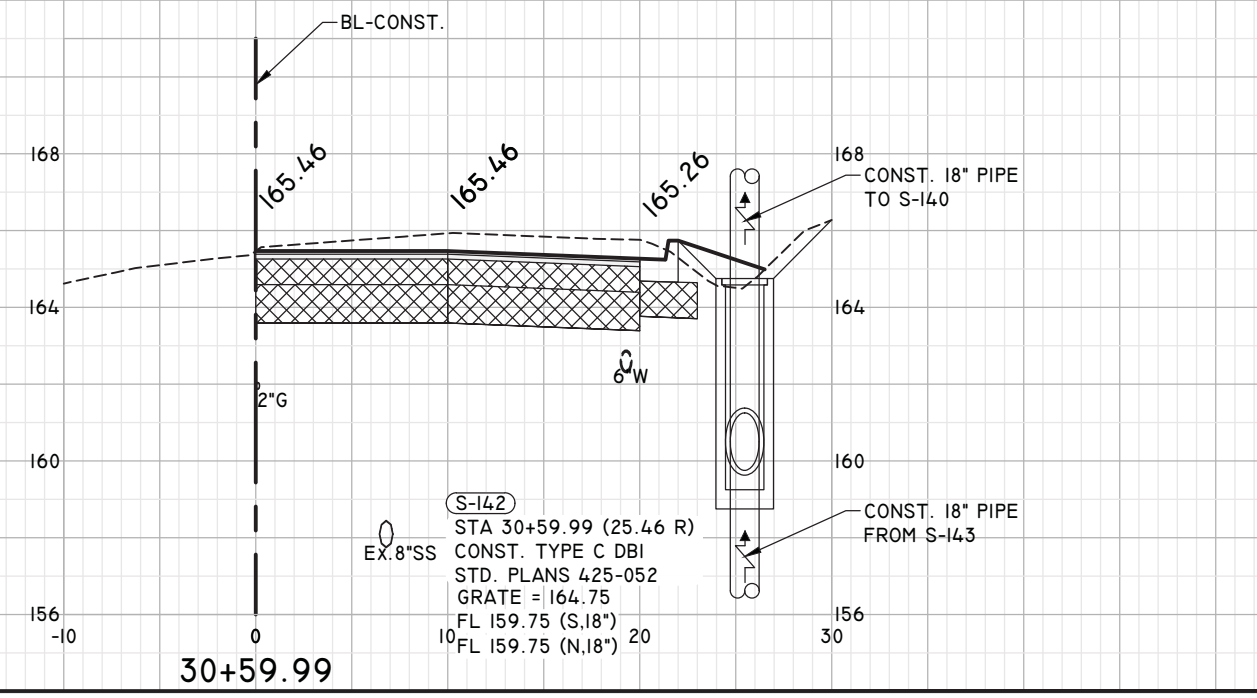
CONST. 18" PIPE
 FROM S-142



S-144
 STA 30+03.16 (-6.42 L)
 CONST. TYPE C DBI
 STD. PLANS 425-052
 GRATE = 166.59
 FL 162.25 (E,18")

CONST. 18" PIPE
 TO S-143

EX. 8"SS



S-142
 STA 30+59.99 (25.46 R)
 CONST. TYPE C DBI
 STD. PLANS 425-052
 GRATE = 164.75
 FL 159.75 (S,18")
 FL 159.75 (N,18")

CONST. 18" PIPE
 TO S-140

CONST. 18" PIPE
 FROM S-143

LEE AVENUE

ENGINEER OF RECORD
 F.P.E. No. **EUTAW, INC.**
 2419-1 Fleischmann Road
 Tallahassee, Florida 32308
 FPBE REGISTRY # 9961

NO.	REVISIONS
1	ORIGINAL
2	
3	
4	
5	

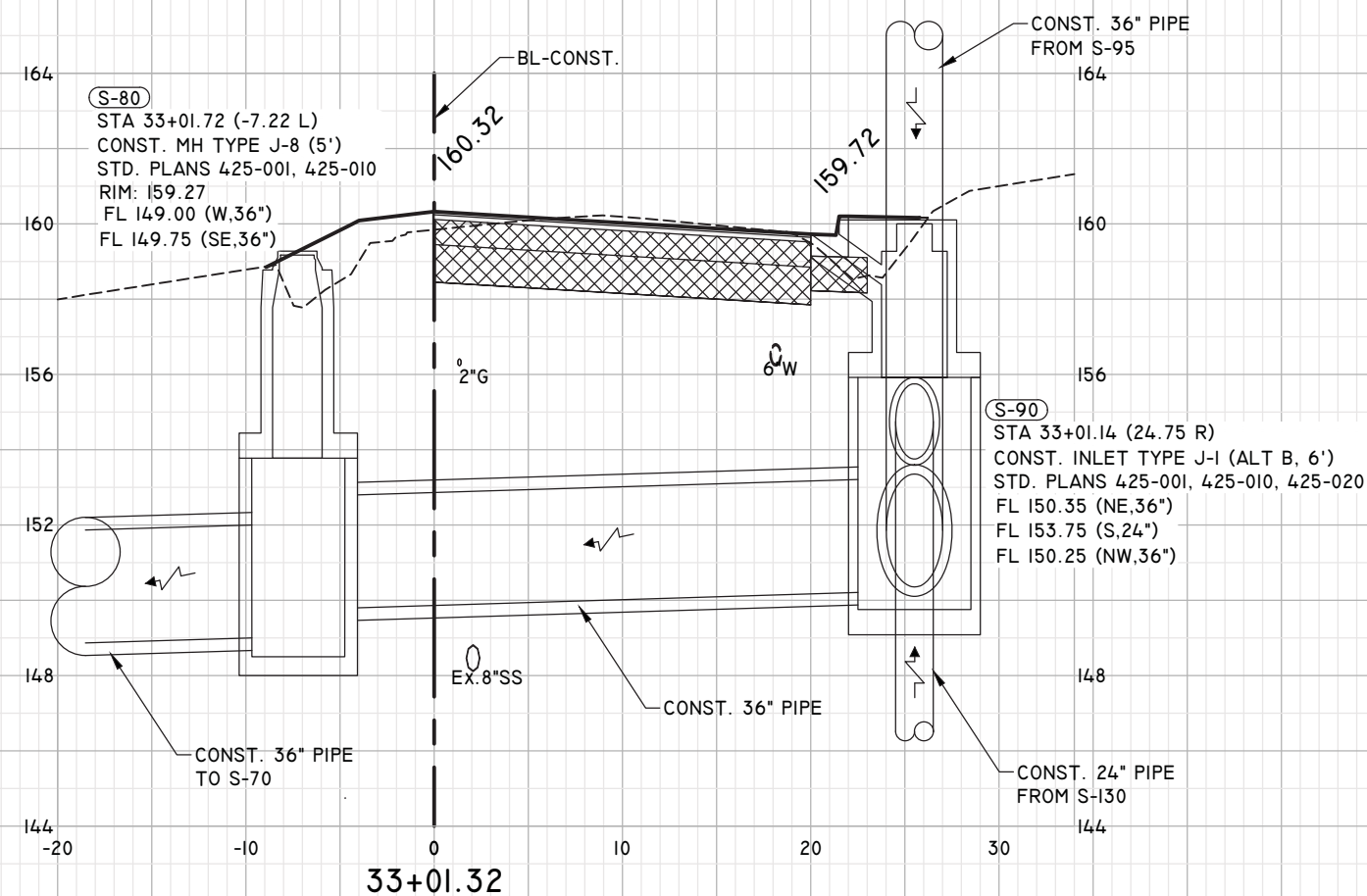
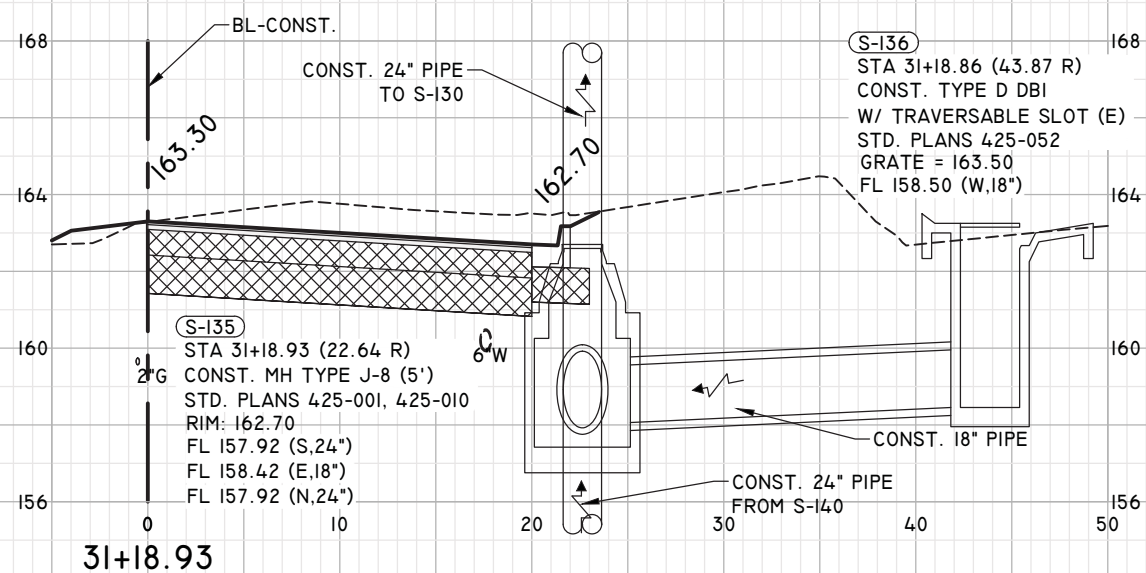
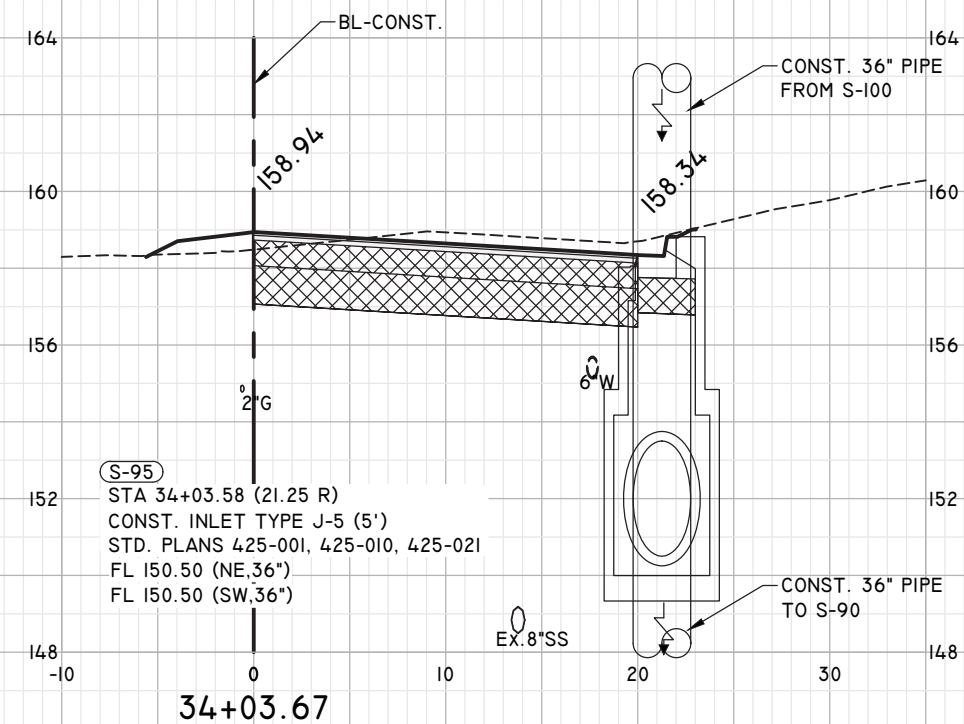
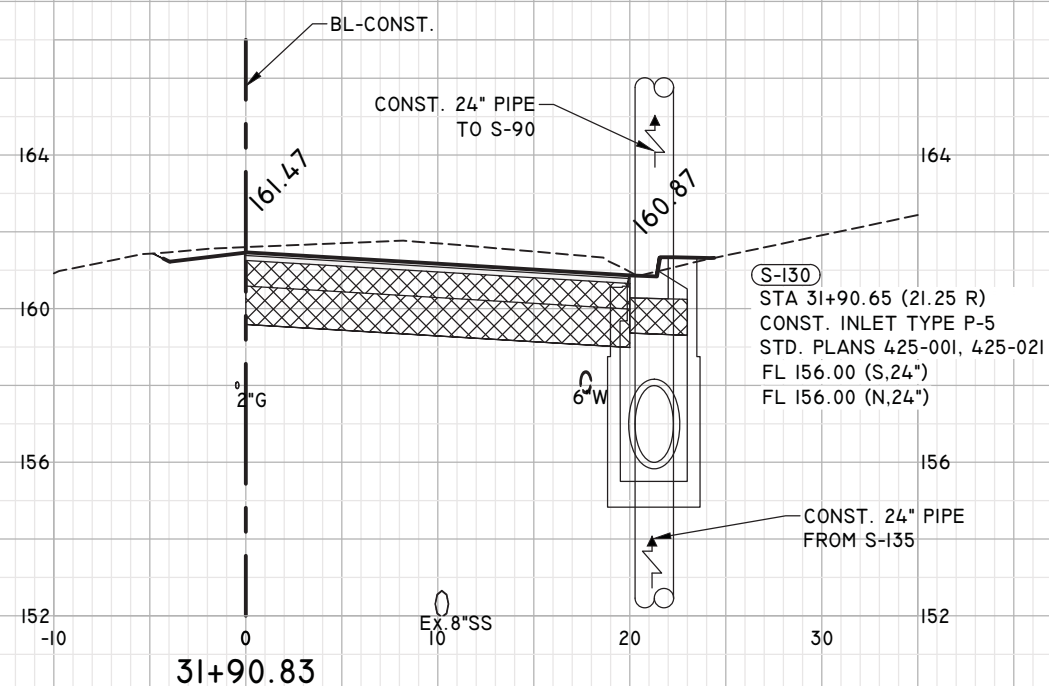
DRAINAGE STRUCTURES

**LEE AVENUE
 DRAINAGE
 IMPROVEMENT
 PROJECT**

EUTAW, INC.
 ENGINEERING-UTILITIES, TRANSPORTATION, AND WATER
 2419 FLEISCHMANN ROAD, STE. 1
 TALLAHASSEE, FL 32308
 PHONE : (850) 383-9400
 WWW.EUTAWINC.COM
 FPBE REGISTRY #9961

JOB No.	_____
DRAWN	_____
DESIGNED	_____
CHECKED	_____
QC	_____

SHEET **21**



ENGINEER OF RECORD
FL.P.E. No. **EUTAW, INC.**
2419-1 Fleischmann Road
Tallahassee, Florida 32308
FPBE REGISTRY # 9961

NO.	REVISIONS
1	ORIGINAL
2	
3	
4	
5	

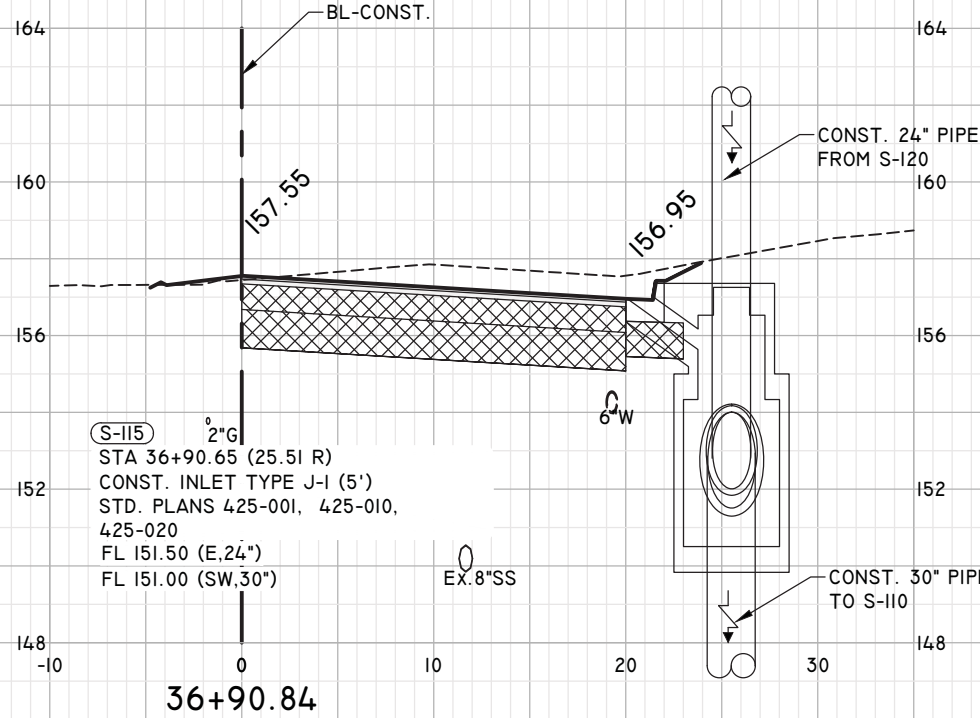
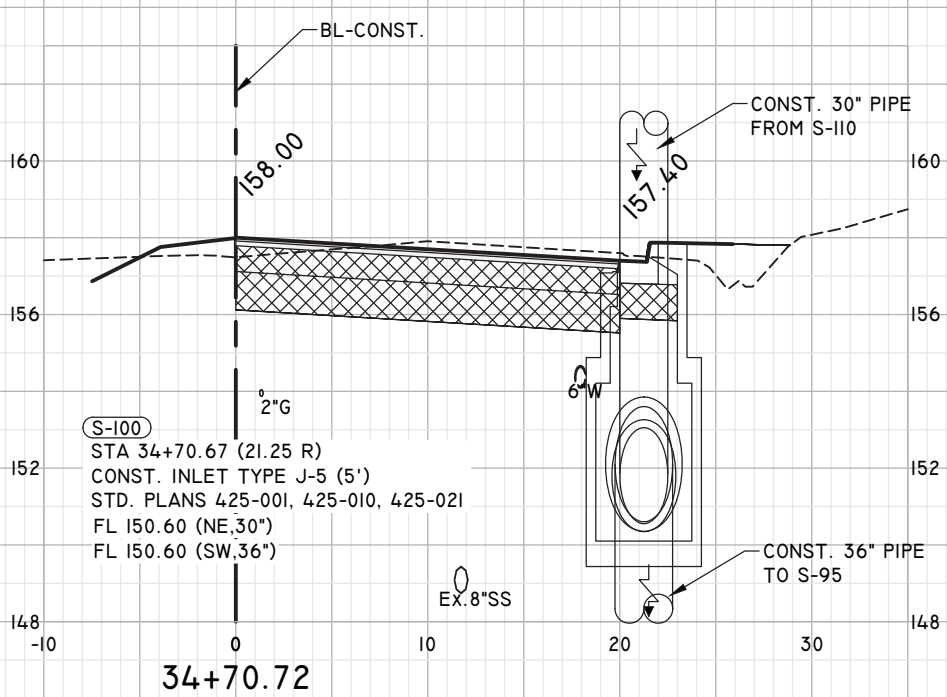
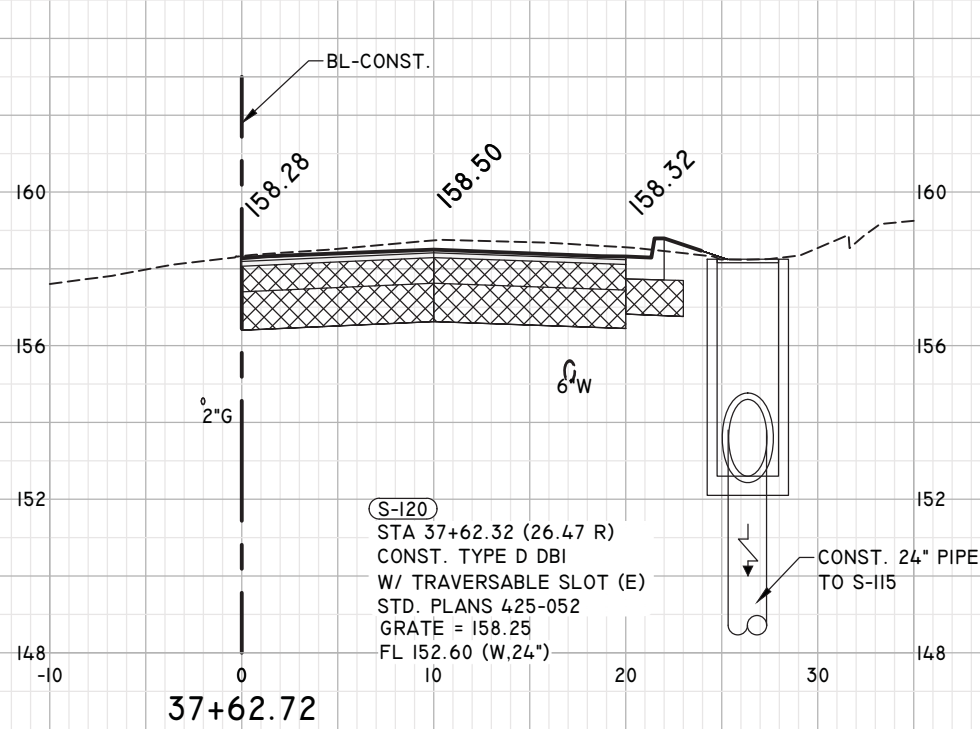
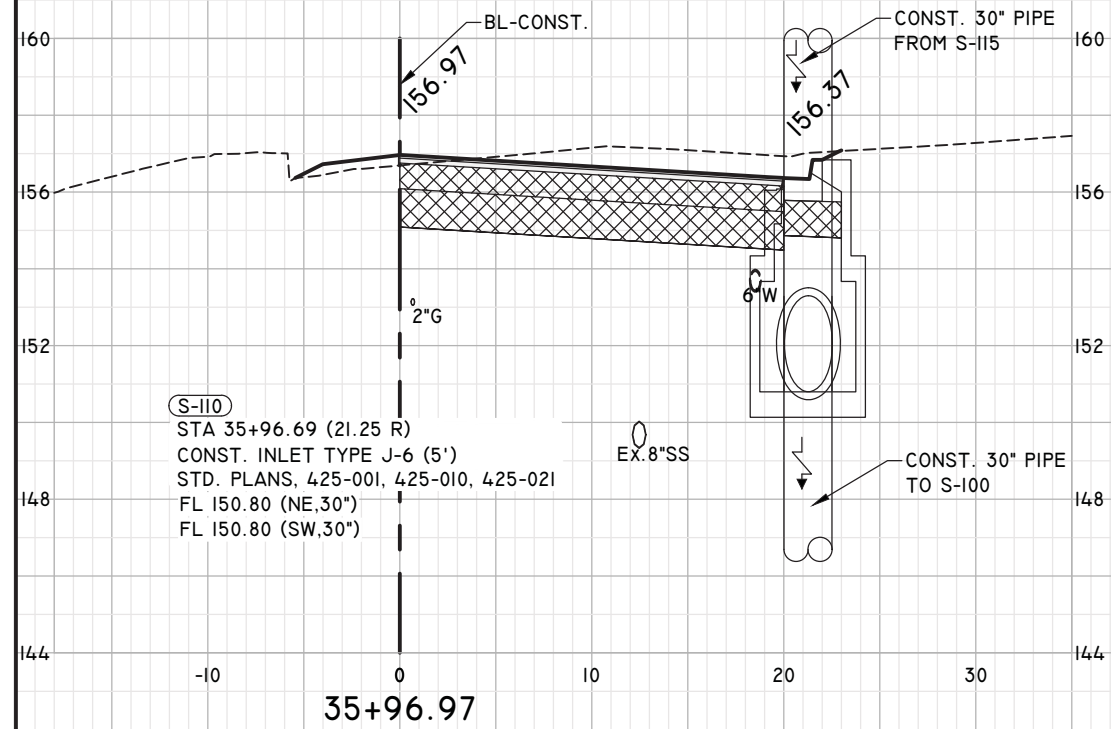
SHEET
PROJECT
DRAINAGE STRUCTURES

PROJECT
LEE AVENUE DRAINAGE IMPROVEMENT PROJECT

ENGINEERING, UTILITIES, TRANSPORTATION, AND WATER
EUTAW, INC.
2419 FLEISCHMANN ROAD, STE. 1
TALLAHASSEE, FL 32308
PHONE : (850) 383-0400
WWW.EUTAWINC.COM
FPBE REGISTRY #9961

JOB No.	
DRAWN	
DESIGNED	
CHECKED	
QC	

U:\GIS\DOT\BorrowMaterial\Lee Avenue\Lee Avenue.dwg - 01/15/2022 04:42:25 PM



ENGINEER OF RECORD
 F.P.E. No. **EUTAW, INC.**
 2419-1 Fleischmann Road
 Tallahassee, Florida 32308
 FPBE REGISTRY # 9961

NO.	REVISIONS
1	
2	
3	
4	
5	

SHEET
DRAINAGE STRUCTURES

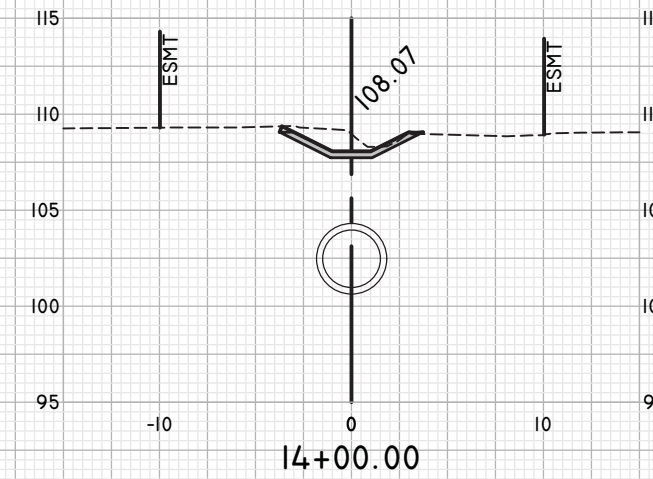
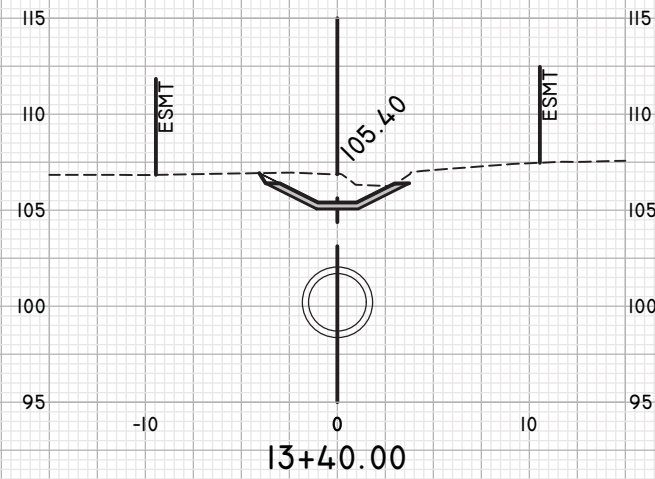
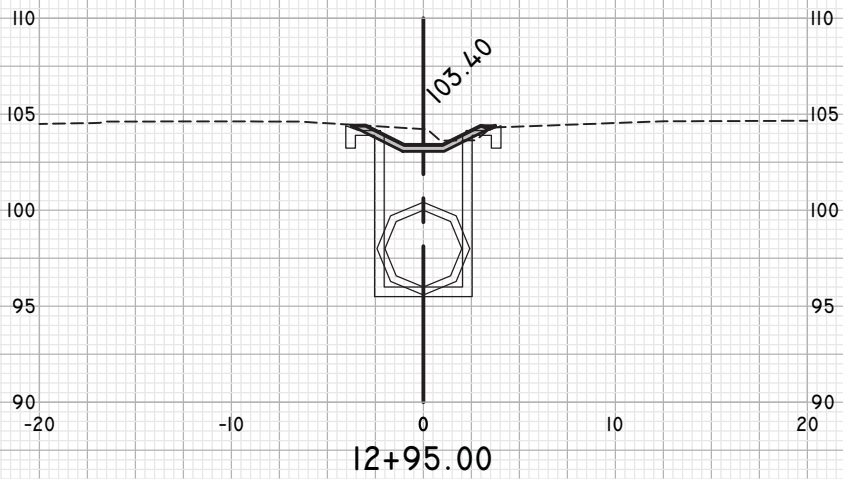
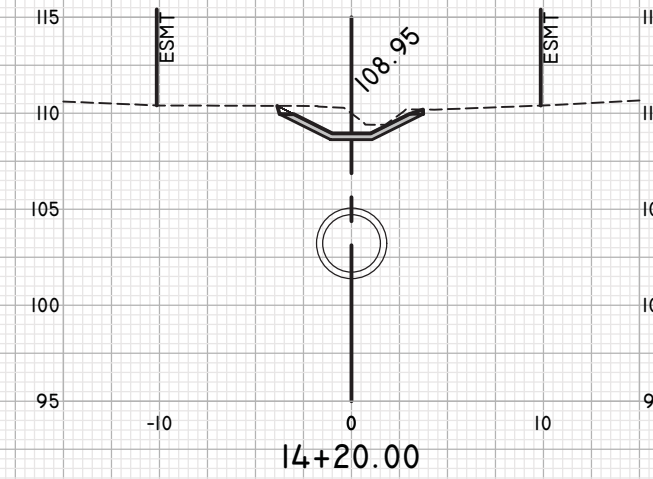
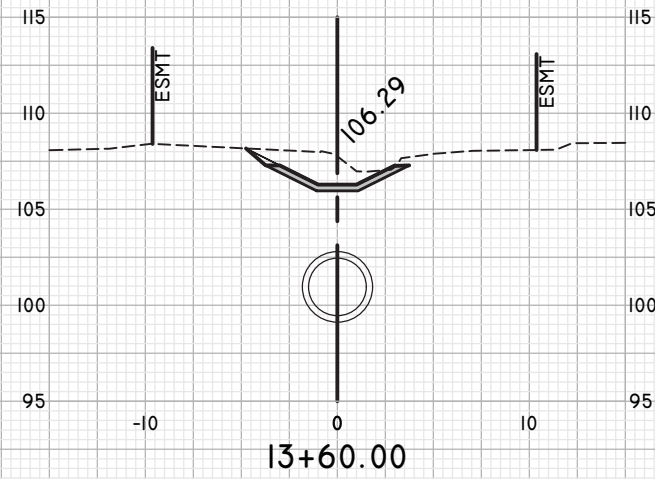
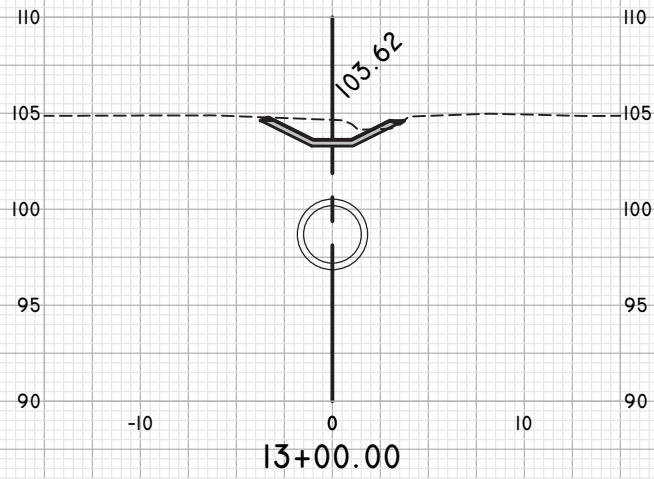
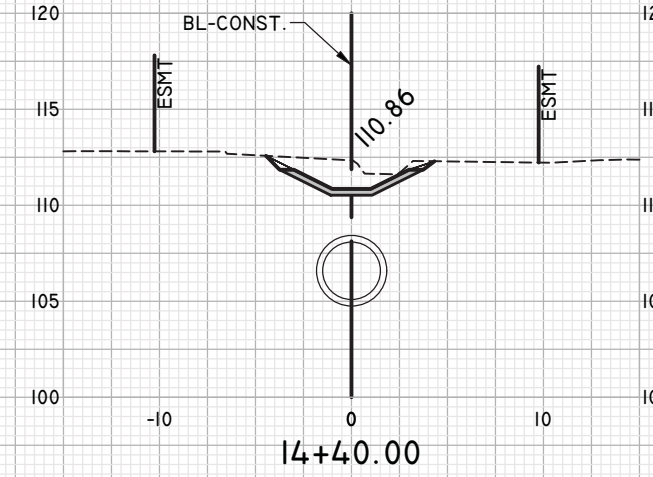
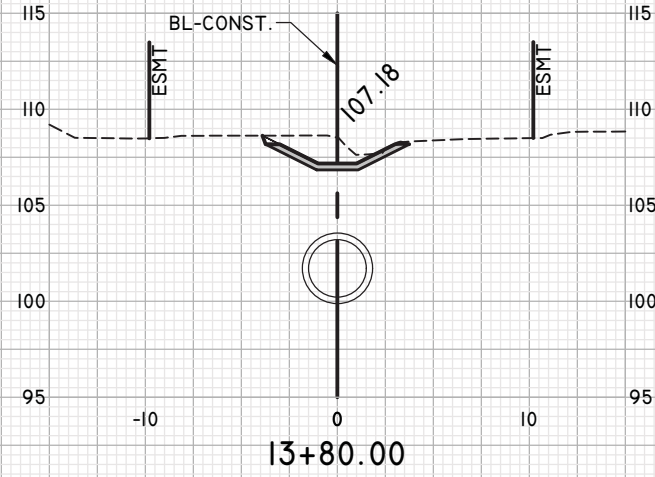
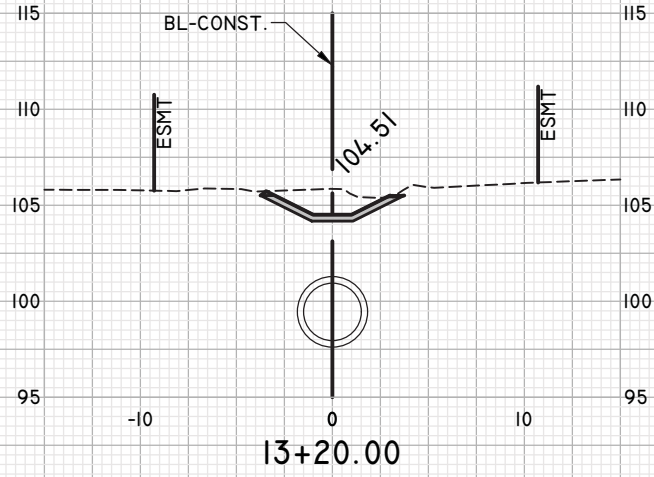
PROJECT
**LEE AVENUE
 DRAINAGE
 IMPROVEMENT
 PROJECT**

EUTAW, INC.
 ENGINEERING-UTILITIES, TRANSPORTATION, AND WATER
 2419 FLEISCHMANN ROAD, STE. 1
 TALLAHASSEE, FL 32308
 PHONE : (850) 383-0400
 WWW.EUTAWINC.COM
 FPBE REGISTRY #9961

JOB No. _____
 DRAWN _____
 DESIGNED _____
 CHECKED _____
 QC _____

U:\Projects\COT\Borrower\Lee Avenue\Lee Avenue.dwg - 01/19/2022 04:44:32 PM

OUTFALL



ENGINEER OF RECORD
 F.L.P.E. No. **Eutaw, Inc.**
 2419-1 Fleischmann Road
 Tallahassee, Florida 32308
 (850) 383-9400
 FBPE REGISTRY #9961
 Signature _____ Date _____

REVISIONS

ORIGINAL	1
	2
	3
	4
	5

CROSS SECTIONS

LEE AVENUE
 DRAINAGE
 IMPROVEMENT
 PROJECT

PROJECT

Eutaw, Inc.
 ENGINEERING-UTILITIES, TRANSPORTATION, AND WATER
 2419 FLEISCHMANN ROAD, STE. 1
 TALLAHASSEE, FL 32308
 PHONE : (850) 383-9400
 WWW.EUTAWINC.COM
 FBPE REGISTRY #9961

JOB No. _____

DRAWN _____

DESIGNED _____

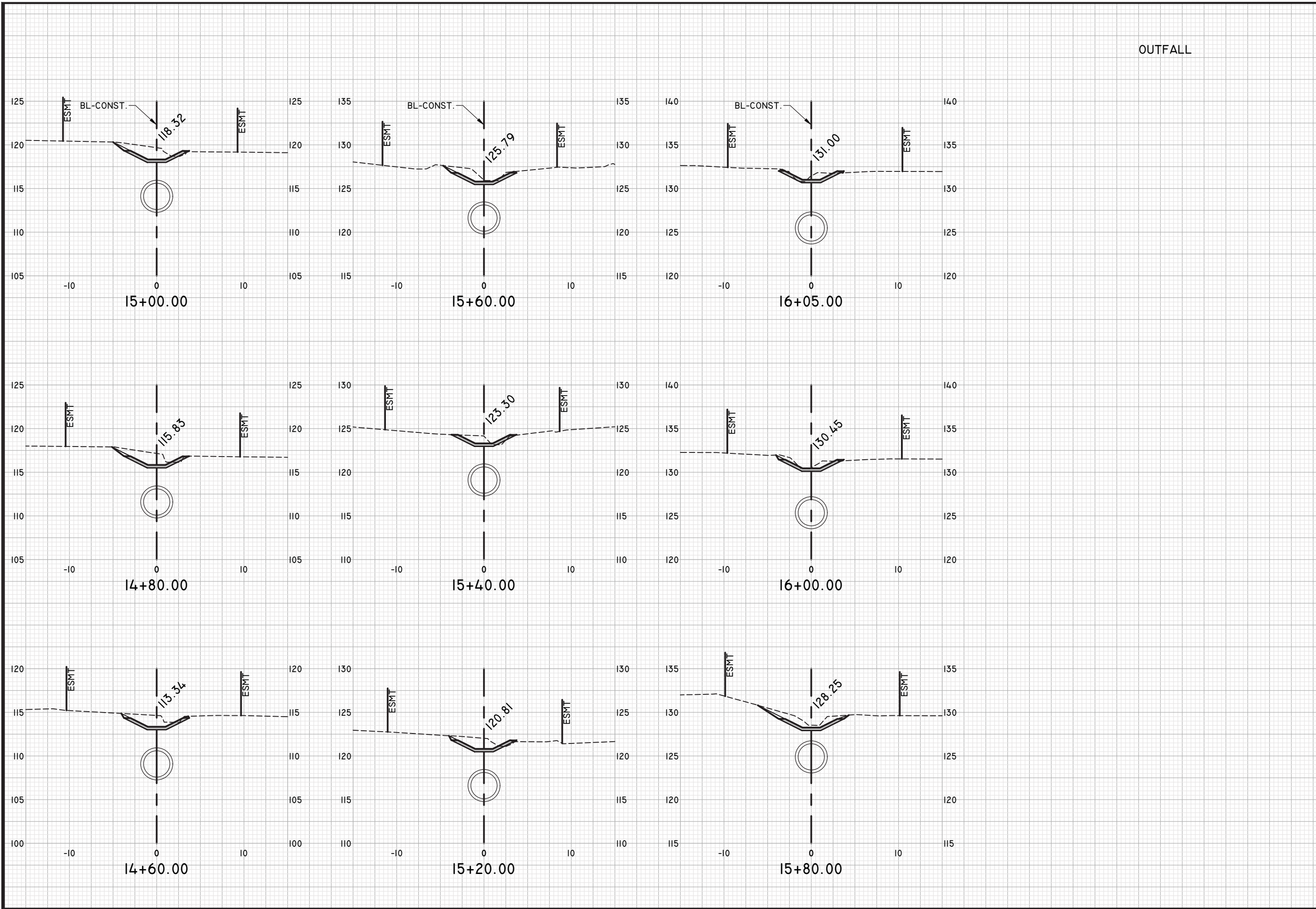
CHECKED _____

QC _____

SHEET

U:\GIS\Projects\COT\BorrowMaterial\Lee Avenue\Lee Avenue.dwg - 01/18/2022 04:44:42 PM

U:\GIS\DOT\Borrows\Lee Ave\Lee Ave.dwg - 01/19/2022 04:44:52 PM



OUTFALL

ENGINEER OF RECORD
 F.P.E. No. **Eutaw, Inc.**
 2419-Fleischmann Road
 Tallahassee, Florida 32308
 (850) 383-9400
 FBPE REGISTRY #9961
 Signature _____ Date _____

REVISIONS
ORIGINAL
1
2
3
4
5

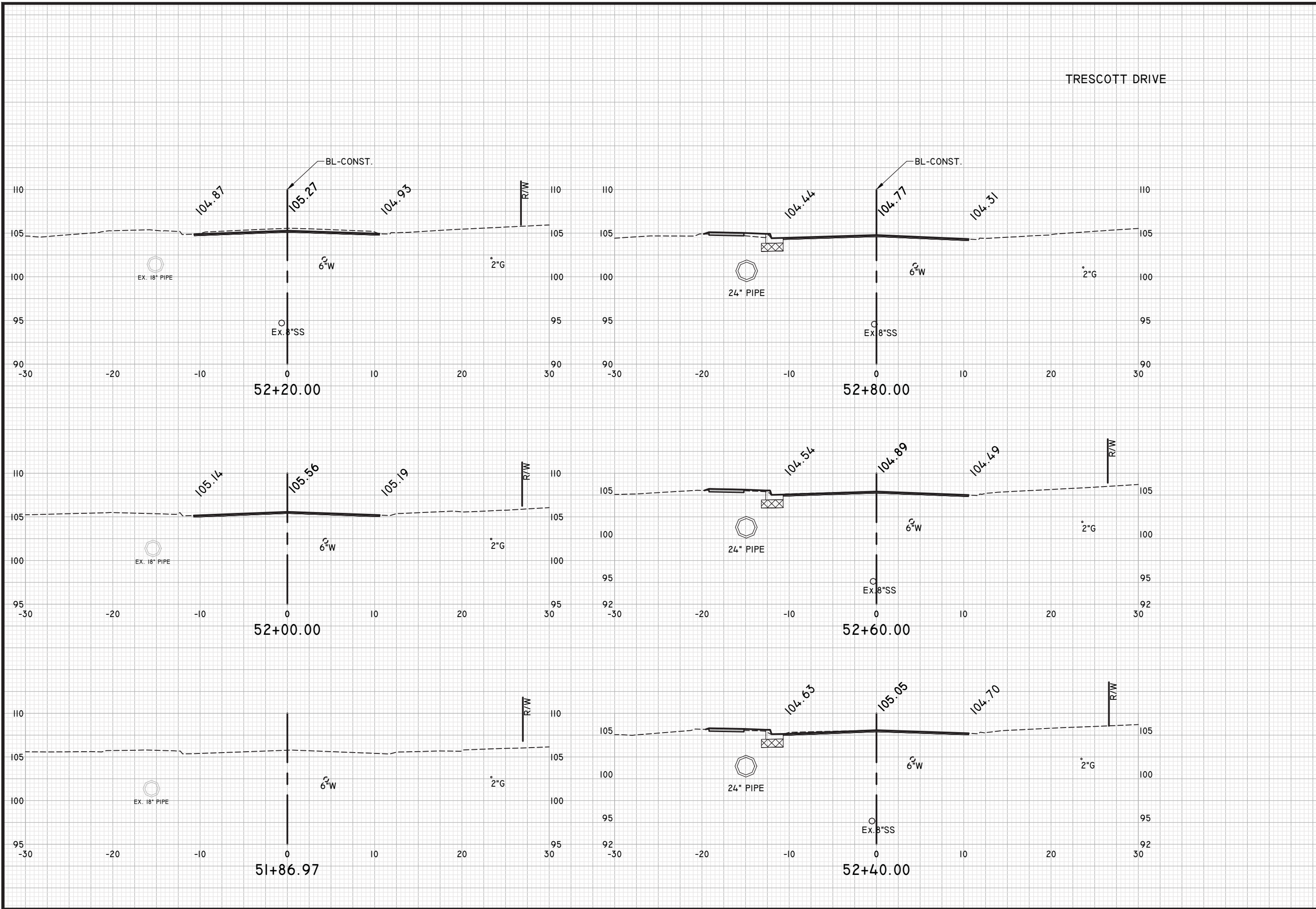
CROSS SECTIONS

LEE AVENUE DRAINAGE IMPROVEMENT PROJECT

EUTAW, INC.
 ENGINEERING-UTILITIES, TRANSPORTATION, AND WATER
 2419 FLEISCHMANN ROAD, STE. 1
 TALLAHASSEE, FL 32308
 PHONE : (850) 383-9400
 WWW.EUTAWINC.COM
 FBPE REGISTRY #9961

JOB No.	_____
DRAWN	_____
DESIGNED	_____
CHECKED	_____
QC	_____
SHEET	25

U:\Projects\DOT\Borwick\Lee Ave\DWG\LEE_AVE.dwg - 01/19/2022 04:43:02 PM



TRESCOTT DRIVE

ENGINEER OF RECORD
 F.P.E. No. **Eutaw, Inc.**
 2419-1 Fleischmann Road
 Tallahassee, Florida 32308
 (850) 383-0400
 FBPE REGISTRY #9961
 Signature _____ Date _____

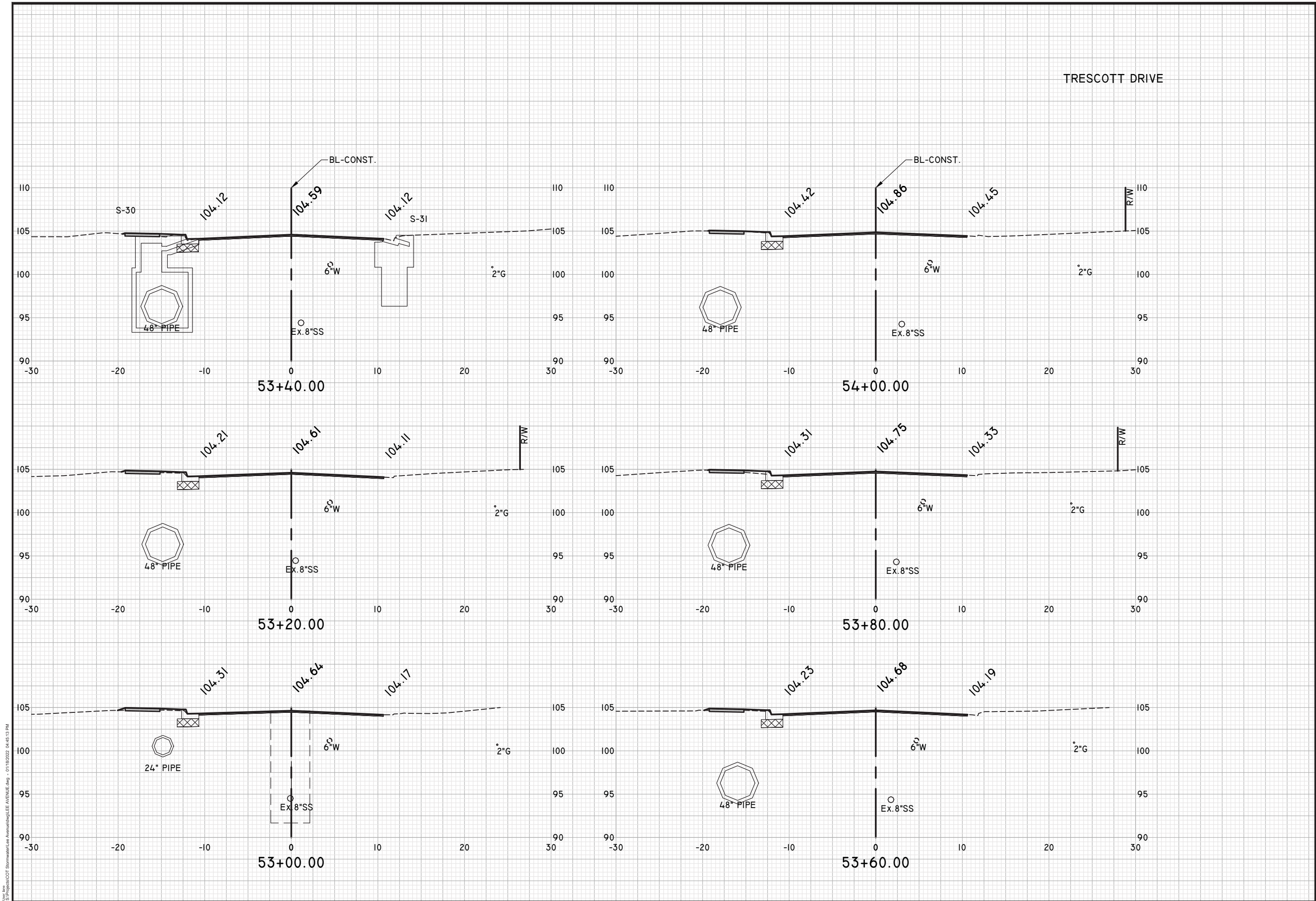
NO.	REVISIONS
1	
2	
3	
4	
5	

SHEET
CROSS SECTIONS

PROJECT
LEE AVENUE DRAINAGE IMPROVEMENT PROJECT

Eutaw, Inc.
 ENGINEERING-UTILITIES, TRANSPORTATION, AND WATER
 2419 FLEISCHMANN ROAD, STE. 1 TALLAHASSEE, FL 32308
 PHONE : (850) 383-0400
 WWW.EUTAWINC.COM
 FBPE REGISTRY #9961

JOB No. _____
 DRAWN _____
 DESIGNED _____
 CHECKED _____
 QC _____
 SHEET
26



TRESCOTT DRIVE

ENGINEER OF RECORD
 F.I.P.E. No. **Eutaw, Inc.**
 2419 FLEISCHMANN ROAD
 TALLAHASSEE, FLORIDA 32308
 (850) 383-0400
 FBPE REGISTRY #9961
 Signature _____ Date _____

REVISIONS:

NO.	DESCRIPTION
1	ORIGINAL
2	
3	
4	
5	

CROSS SECTIONS

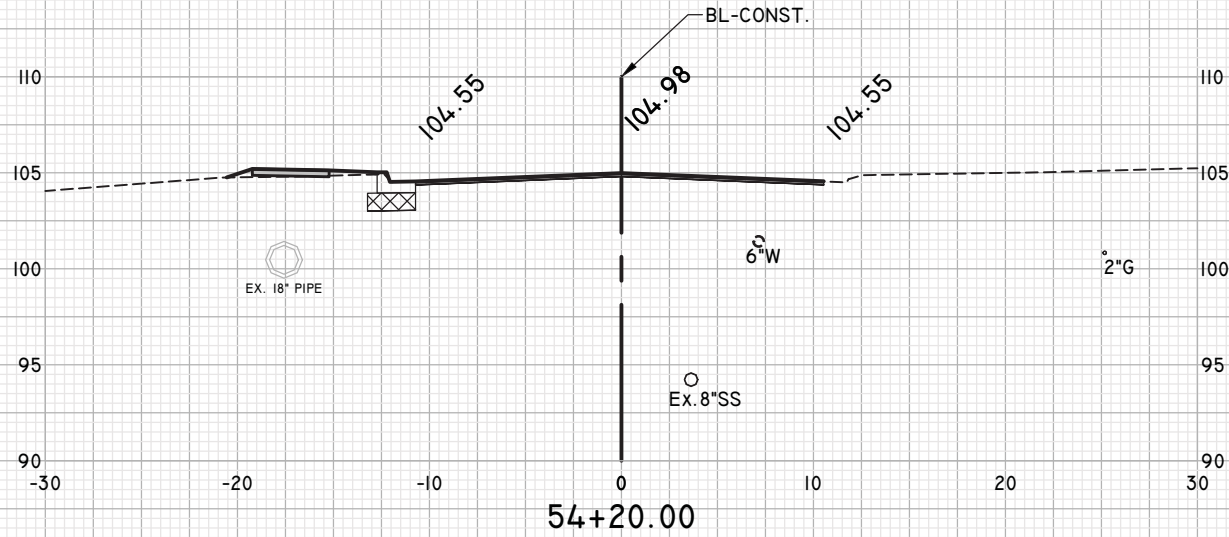
LEE AVENUE DRAINAGE IMPROVEMENT PROJECT

Eutaw, Inc.
 ENGINEERING-UTILITIES, TRANSPORTATION, AND WATER
 2419 FLEISCHMANN ROAD, STE. 1
 TALLAHASSEE, FL 32308
 PHONE : (850) 383-0400
 WWW.EUTAWINC.COM
 FBPE REGISTRY #9961

JOB No. _____
 DRAWN _____
 DESIGNED _____
 CHECKED _____
 QC _____
 SHEET **27**

User: Lee Avenue Drainage Improvement Project - 01/15/2022 10:45:13 PM
 C:\Users\cot\Documents\Lee Avenue\Lee Avenue.dwg

\\fs1\apps\cot\Borrows\Lee Avenue\Lee Avenue.dwg - 01/19/2022 04:45:21 PM



TRESCOTT DRIVE

ENGINEER OF RECORD
 F.I.P.E. No. **EUTAW, INC.**
 2419 FLEISCHMANN ROAD
 TALLAHASSEE, FLORIDA 32308
 (850) 383-9400
 FBPE REGISTRY #9961
 Signature _____ Date _____

ORIGINAL _____

REVISIONS:

1	_____
2	_____
3	_____
4	_____
5	_____

SHEET

CROSS SECTIONS

PROJECT

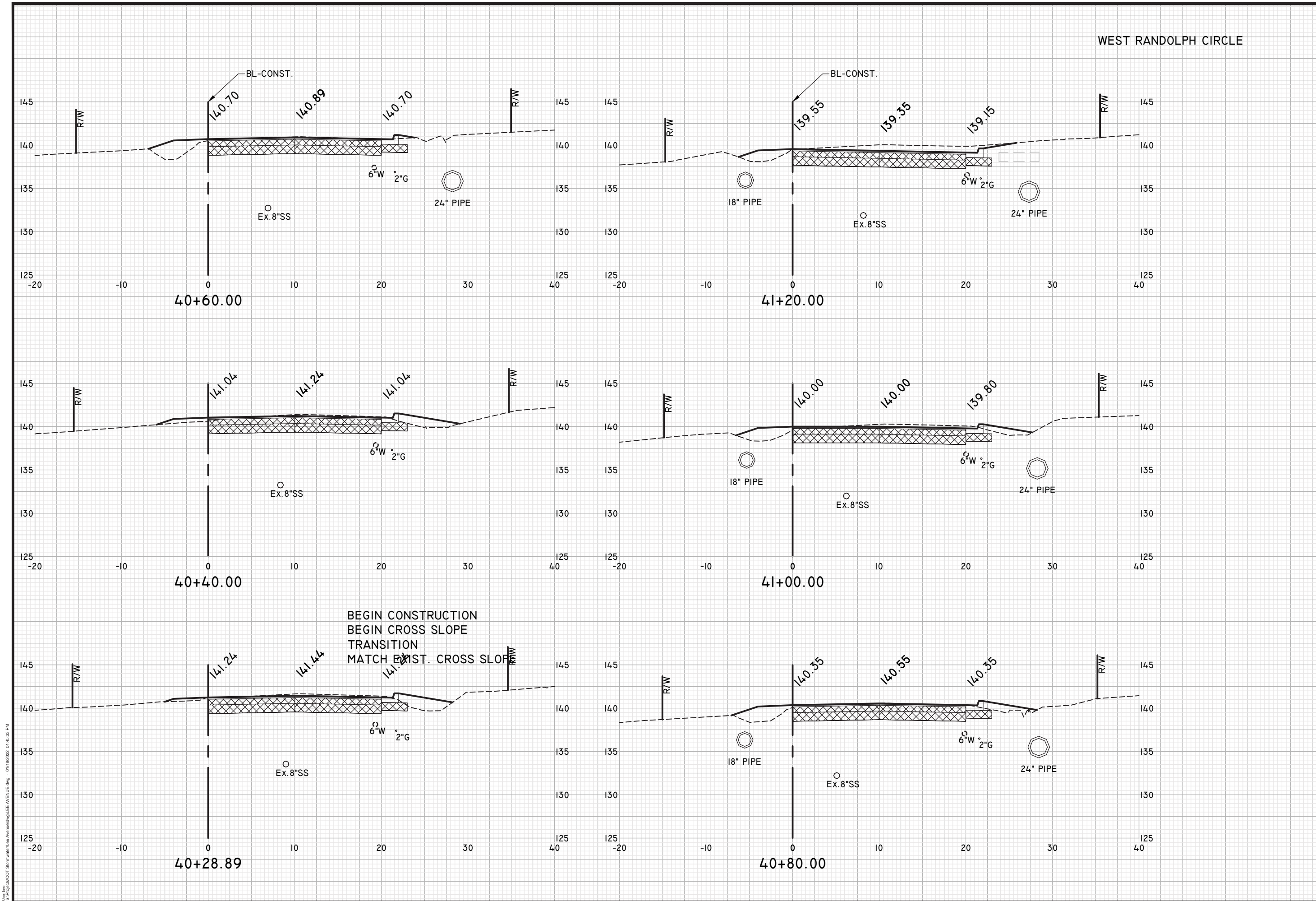
**LEE AVENUE
 DRAINAGE
 IMPROVEMENT
 PROJECT**

EUTAW, INC.
 ENGINEERING-UTILITIES, TRANSPORTATION, AND WATER
 2419 FLEISCHMANN ROAD, STE. 1
 TALLAHASSEE, FL 32308
 PHONE : (850) 383-9400
 WWW.EUTAWINC.COM
 FBPE REGISTRY #9961

JOB No. _____
 DRAWN _____
 DESIGNED _____
 CHECKED _____
 QC _____

SHEET

28



WEST RANDOLPH CIRCLE

ENGINEER OF RECORD
 F.P.E. No. **Eutaw, Inc.**
 2419-Fleischmann Road
 Tallahassee, Florida 32308
 (850) 383-0400
 FBPE REGISTRY #9961
 Date _____

REVISIONS

1	ORIGINAL
2	
3	
4	
5	

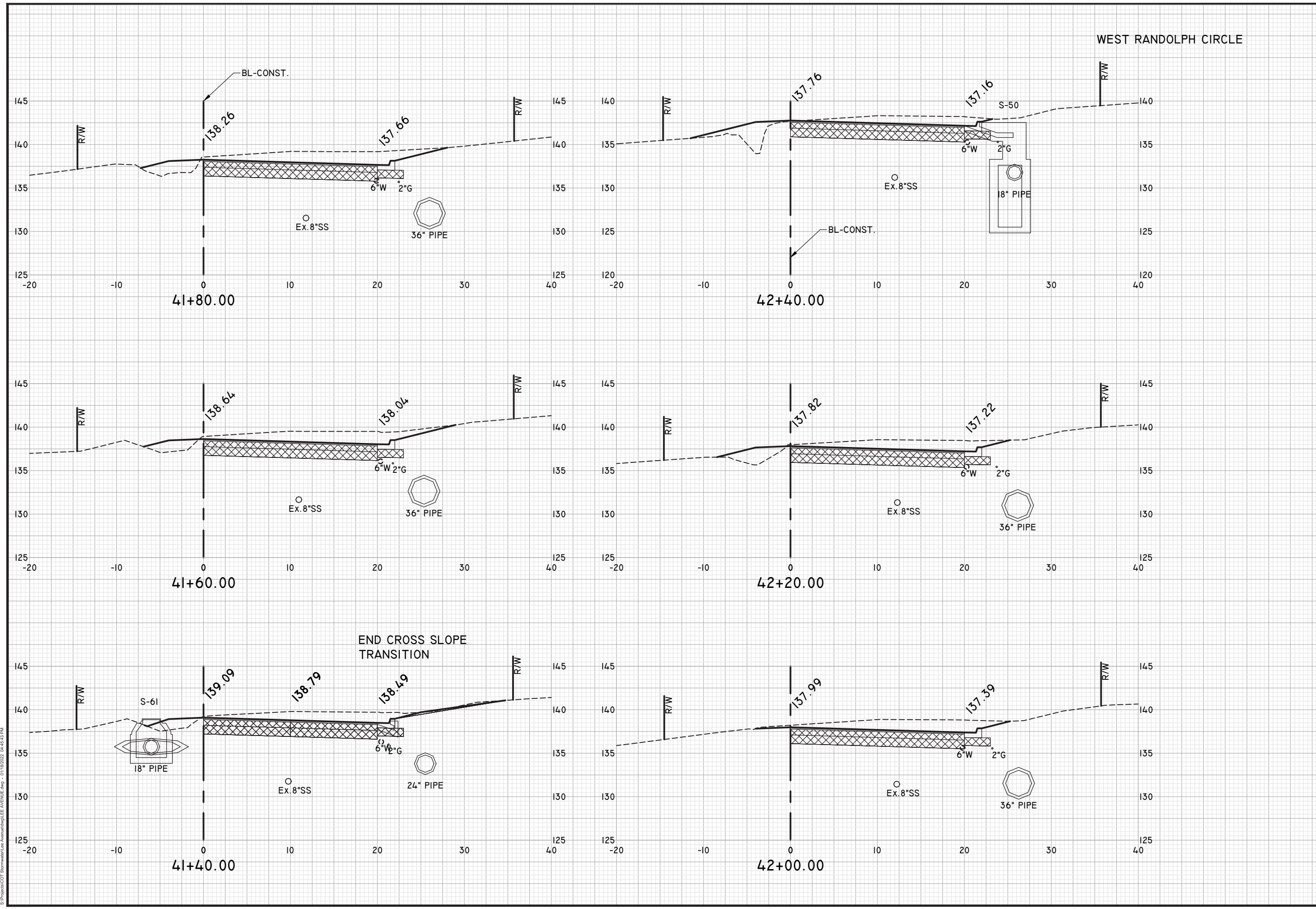
CROSS SECTIONS

LEE AVENUE DRAINAGE IMPROVEMENT PROJECT

Eutaw, Inc.
 ENGINEERING-UTILITIES, TRANSPORTATION, AND WATER
 2419 FLEISCHMANN ROAD, STE. 1
 TALLAHASSEE, FL 32308
 PHONE : (850) 383-0400
 WWW.EUTAWINC.COM
 FBPE REGISTRY #9961

JOB No. _____
 DRAWN _____
 DESIGNED _____
 CHECKED _____
 QC _____
 SHEET **29**

U:\Projects\DOT\BorrowMaterial\Lee Avenue\Lee Avenue.dwg - 01/19/2022 04:45:33 PM



ENGINEER OF RECORD
 F.P.E. No. **Eutaw, Inc.**
 2419-1 Fleischmann Road
 Tallahassee, Florida 32308
 (850) 383-9400
 FBPE REGISTRY #9961
 Date _____

REVISIONS

1	ORIGINAL
2	
3	
4	
5	

CROSS SECTIONS

PROJECT

LEE AVENUE DRAINAGE IMPROVEMENT PROJECT

Eutaw, Inc.
 ENGINEERING-UTILITIES, TRANSPORTATION, AND WATER
 2419 FLEISCHMANN ROAD, STE. 1
 TALLAHASSEE, FL 32308
 PHONE : (850) 383-9400
 WWW.EUTAWINC.COM
 FBPE REGISTRY #9961

JOB No. _____

DRAWN _____

DESIGNED _____

CHECKED _____

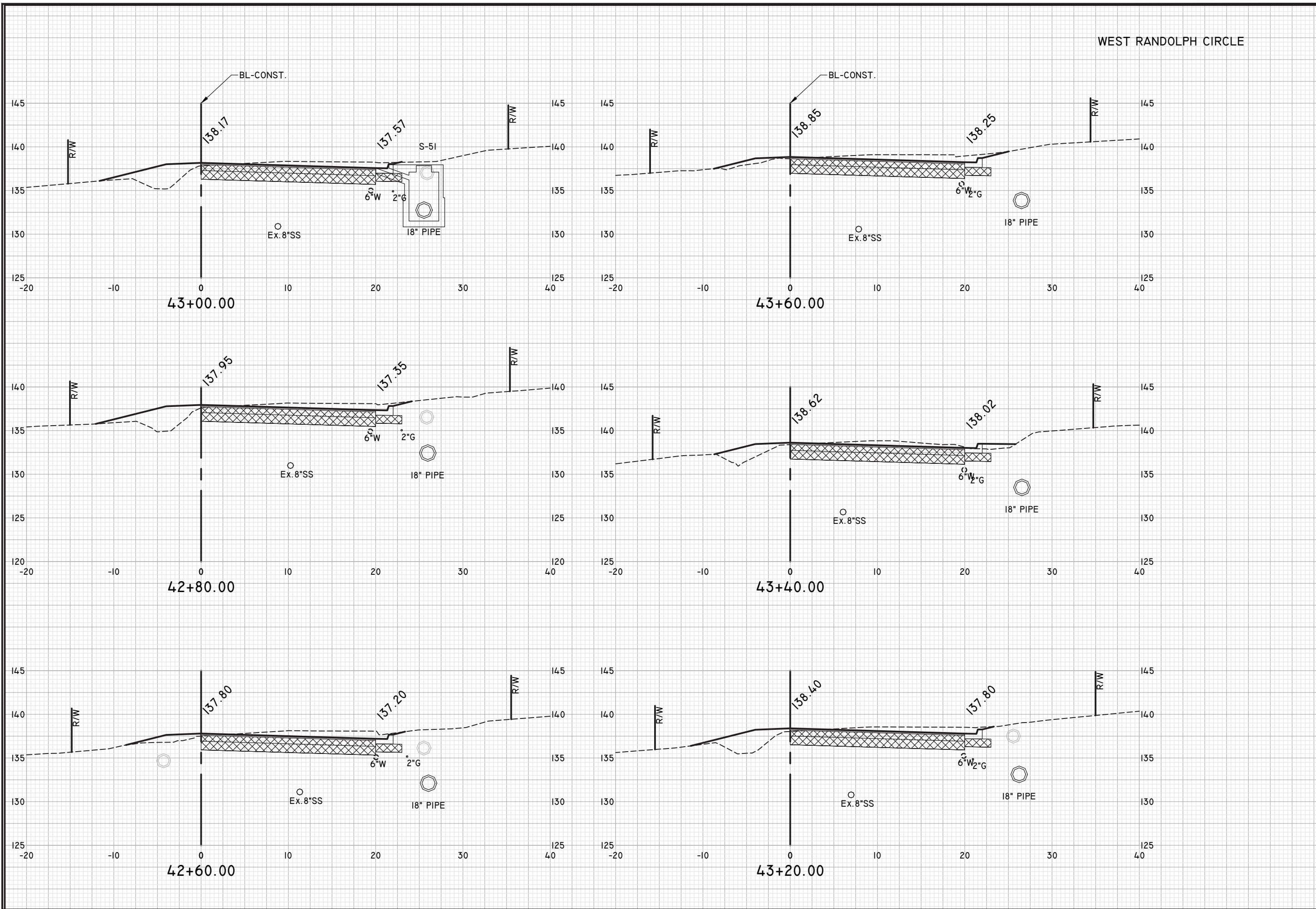
QC _____

SHEET

30

U:\Projects\DOT\Borrow\Lee Avenue\Lee Avenue.dwg - 01/19/2022 04:48:43 PM

U:\Projects\DOT\Borwick\Lee Avenue\Lee Avenue.dwg - 01/19/2022 04:45:53 PM



WEST RANDOLPH CIRCLE

ENGINEER OF RECORD
 F.P.E. No. **Eutaw, Inc.**
 2419-Fleischmann Road
 Tallahassee, Florida 32308
 (850) 383-0400
 FBPE REGISTRY #9961
 Signature _____ Date _____

REVISIONS:

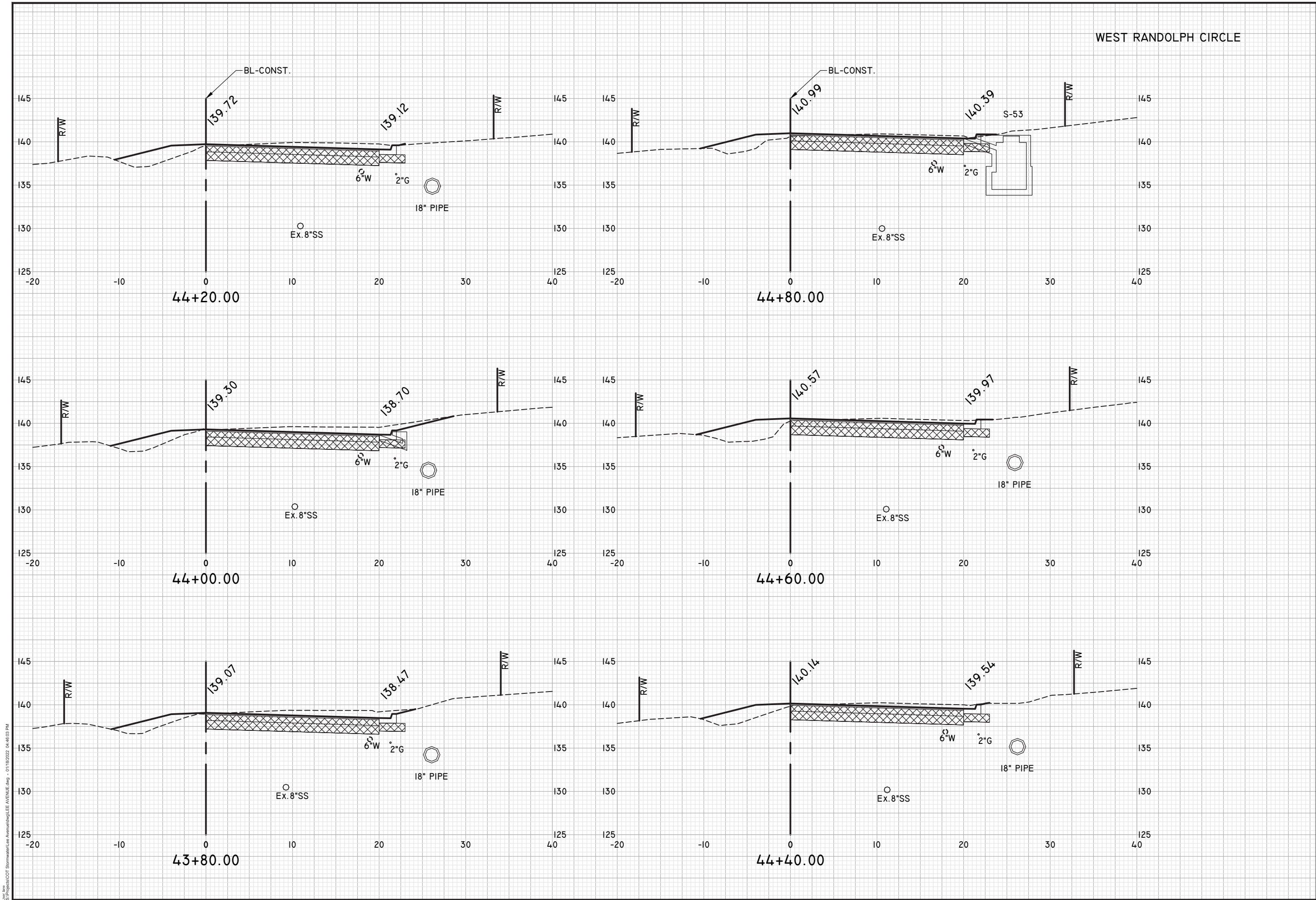
1	ORIGINAL
2	
3	
4	
5	

CROSS SECTIONS

LEE AVENUE DRAINAGE IMPROVEMENT PROJECT

Eutaw, Inc.
 ENGINEERING-UTILITIES, TRANSPORTATION, AND WATER
 2419 FLEISCHMANN ROAD, STE. 1
 TALLAHASSEE, FL 32308
 PHONE : (850) 383-0400
 WWW.EUTAWINC.COM
 FBPE REGISTRY #9961

JOB No. _____
 DRAWN _____
 DESIGNED _____
 CHECKED _____
 QC _____
 SHEET 31



WEST RANDOLPH CIRCLE

ENGINEER OF RECORD
 F.P.E. No. **Eutaw, Inc.**
 2419-Fleischmann Road
 Tallahassee, Florida 32308
 (850) 383-9400
 FBPE REGISTRY #9961
 Signature _____ Date _____

REVISIONS:

ORIGINAL	1
	2
	3
	4
	5

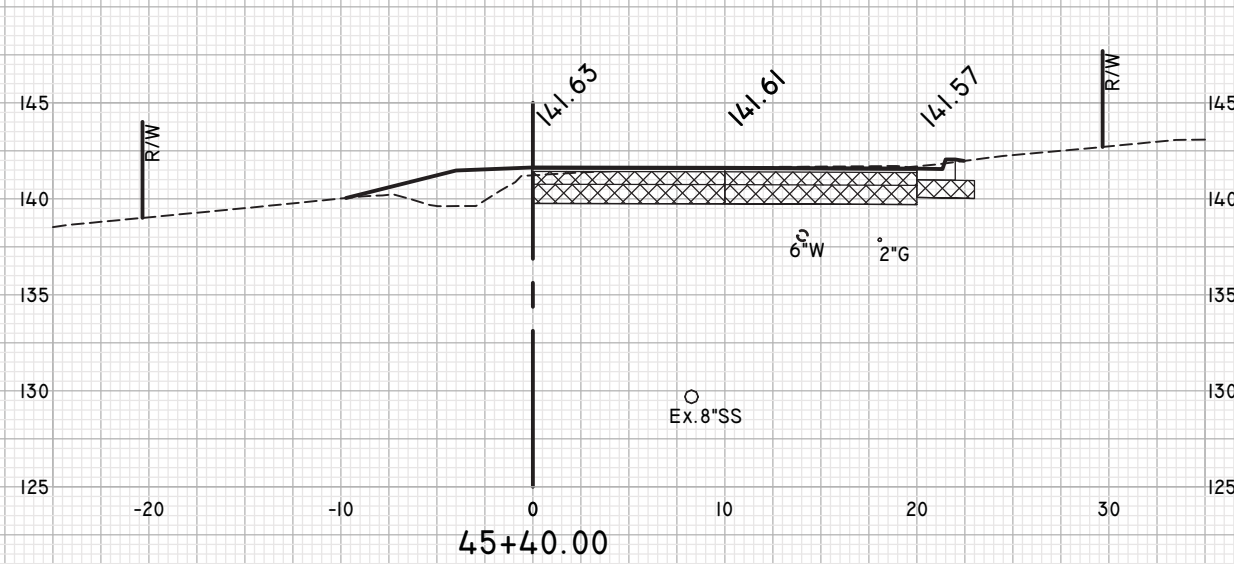
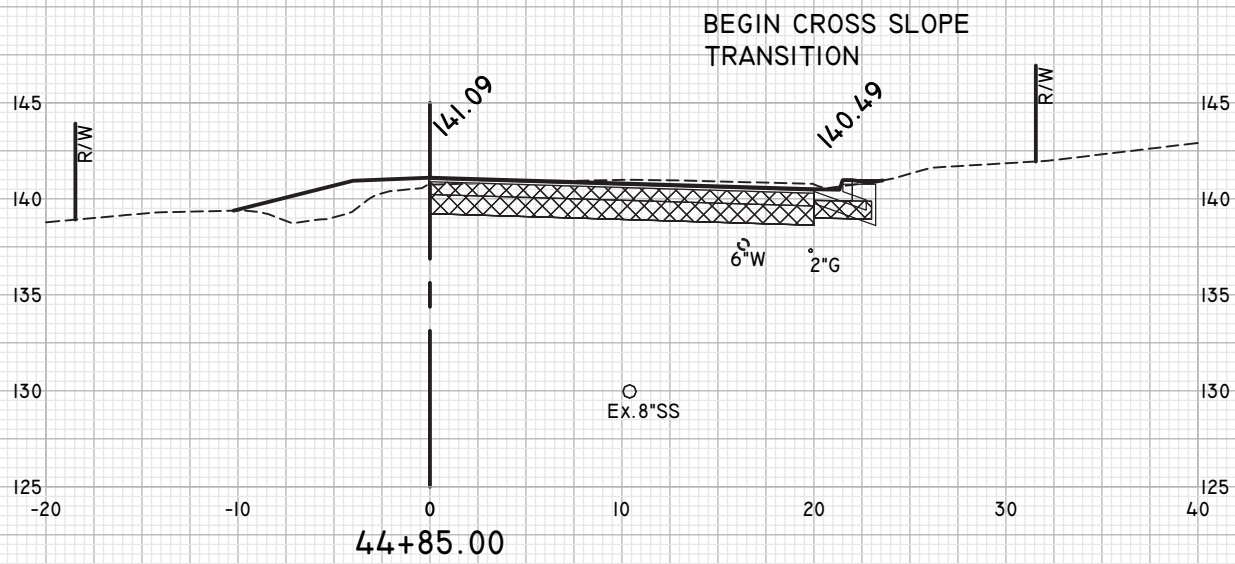
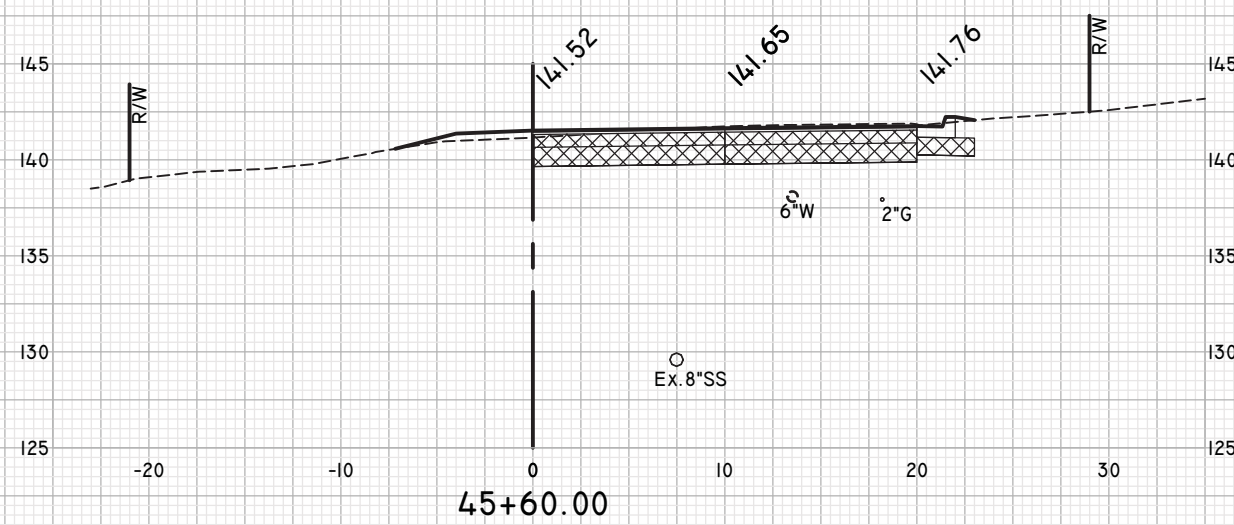
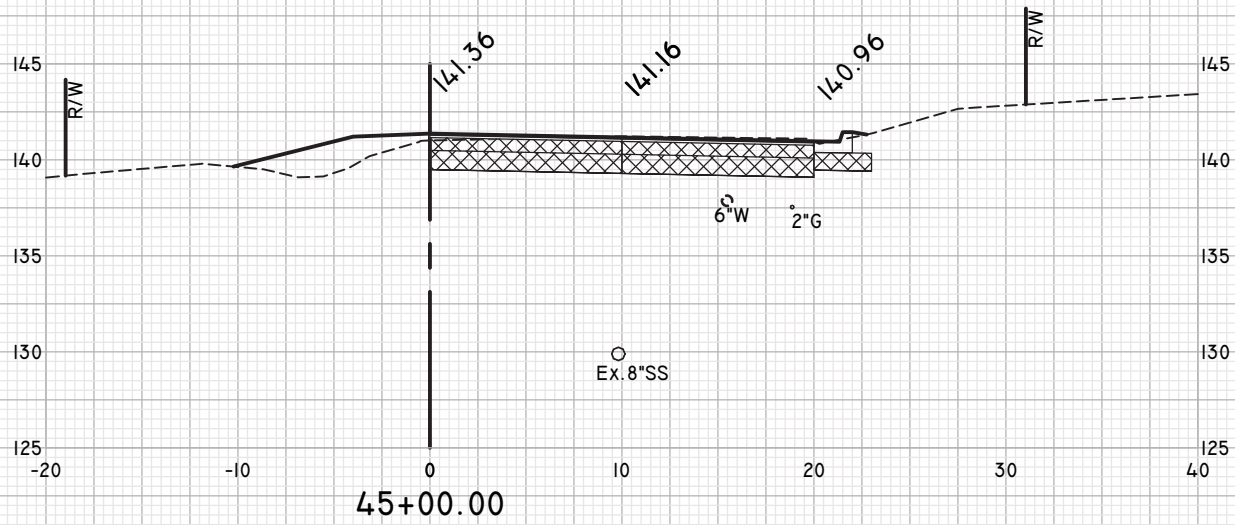
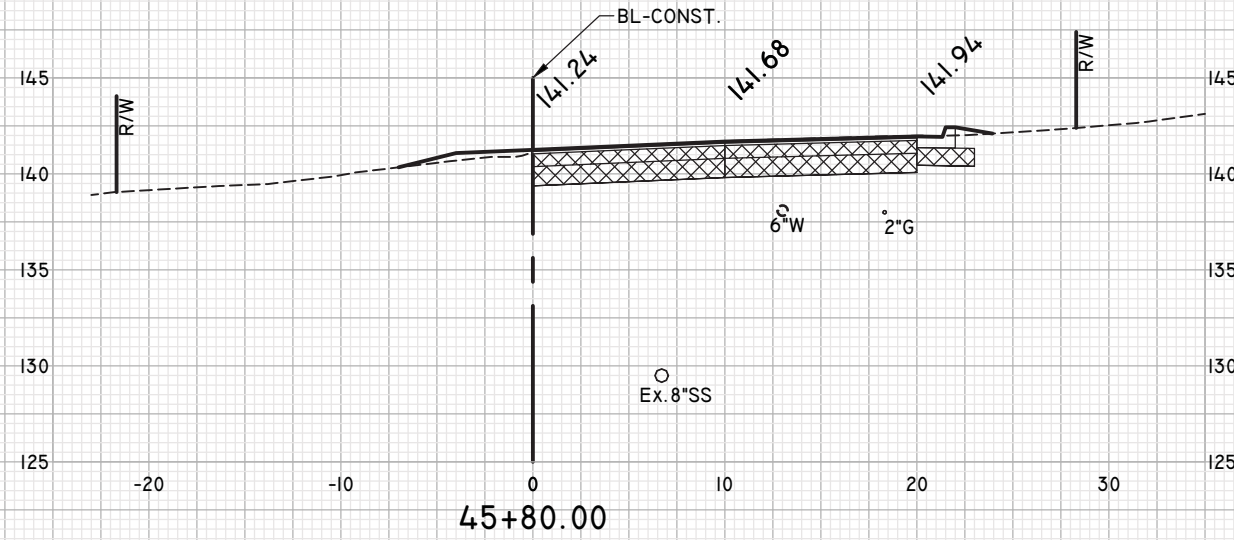
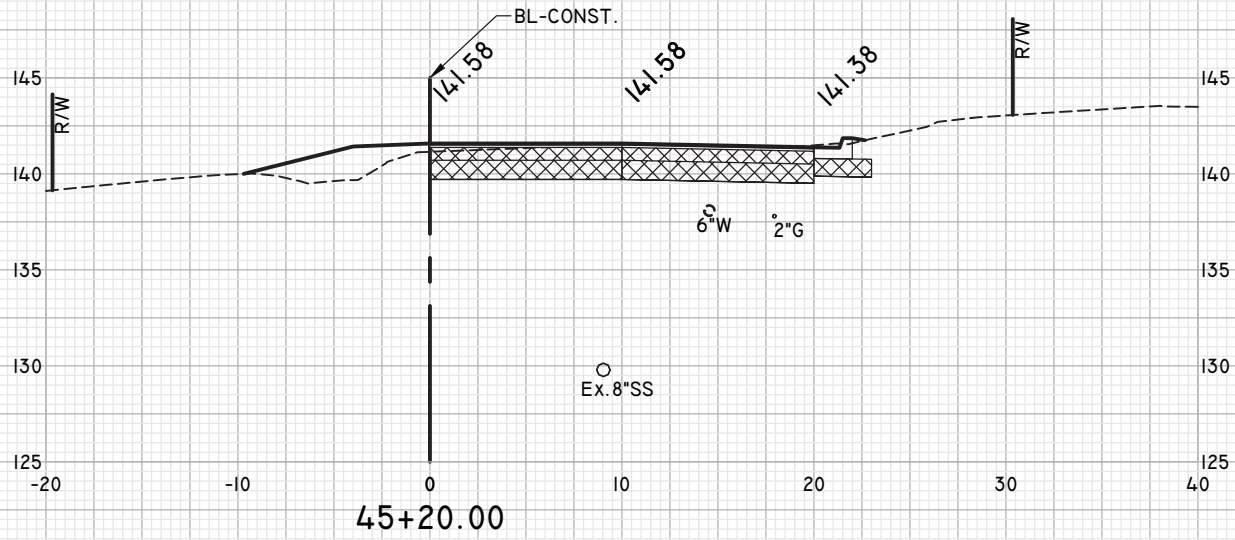
CROSS SECTIONS

LEE AVENUE DRAINAGE IMPROVEMENT PROJECT

Eutaw, Inc.
 ENGINEERING-UTILITIES, TRANSPORTATION, AND WATER
 2419 FLEISCHMANN ROAD, STE. 1
 TALLAHASSEE, FL 32308
 PHONE : (850) 383-9400
 WWW.EUTAWINC.COM
 FBPE REGISTRY #9961

JOB No. _____
 DRAWN _____
 DESIGNED _____
 CHECKED _____
 QC _____

WEST RANDOLPH CIRCLE



ENGINEER OF RECORD
 F.P.E. No. **Eutaw, Inc.**
 2419-1 Fleischmann Road
 Tallahassee, Florida 32308
 (850) 383-9400
 FBPE REGISTRY #9961
 Date _____

REVISIONS

1	ORIGINAL
2	
3	
4	
5	

CROSS SECTIONS

LEE AVENUE DRAINAGE IMPROVEMENT PROJECT

PROJECT

EUTAW, INC.
 ENGINEERING-UTILITIES, TRANSPORTATION, AND WATER
 2419 FLEISCHMANN ROAD, STE. 1
 TALLAHASSEE, FL 32308
 PHONE : (850) 383-9400
 WWW.EUTAWINC.COM
 FBPE REGISTRY #9961

JOB No. _____

DRAWN _____

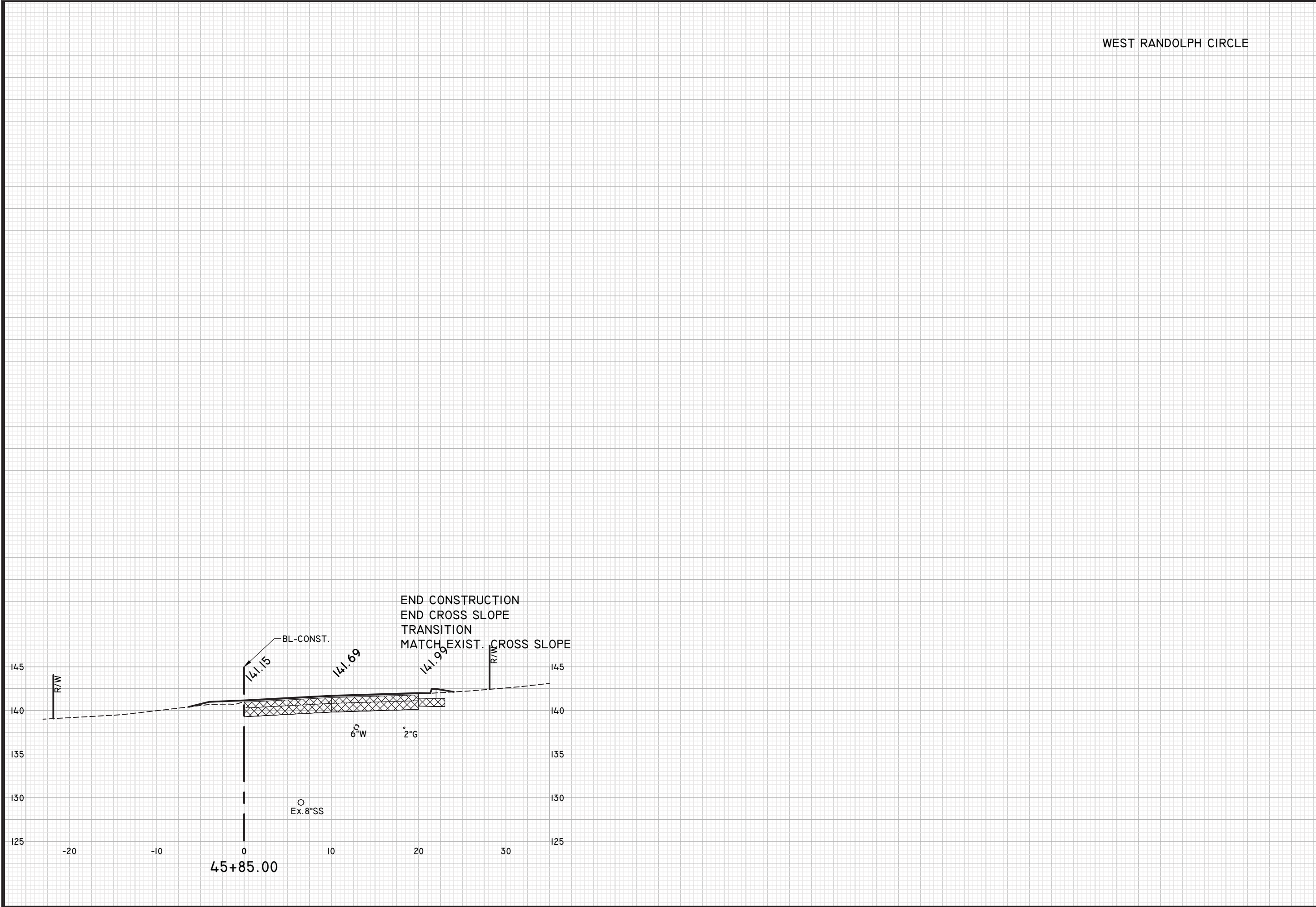
DESIGNED _____

CHECKED _____

QC _____

U:\GIS\DOT\Borrows\Lee Avenue\Lee Avenue.dwg - 01/19/2022 04:48:33 PM
 3: Project\DOT\Borrows\Lee Avenue\Lee Avenue.dwg

U:\GIS\DOT\Borrows\Lee Avenue\Lee Avenue.dwg - 01/19/2022 04:48:22 PM



WEST RANDOLPH CIRCLE

ENGINEER OF RECORD
 F.I.P.E. No. **EUTAW, INC.**
 2419 FLEISCHMANN ROAD
 TALLAHASSEE, FLORIDA 32308
 (850) 383-0400
 FBPE REGISTRY #9961
 Signature _____ Date _____

ORIGINAL _____

REVISIONS:

1	_____
2	_____
3	_____
4	_____
5	_____

SHEET

CROSS SECTIONS

PROJECT

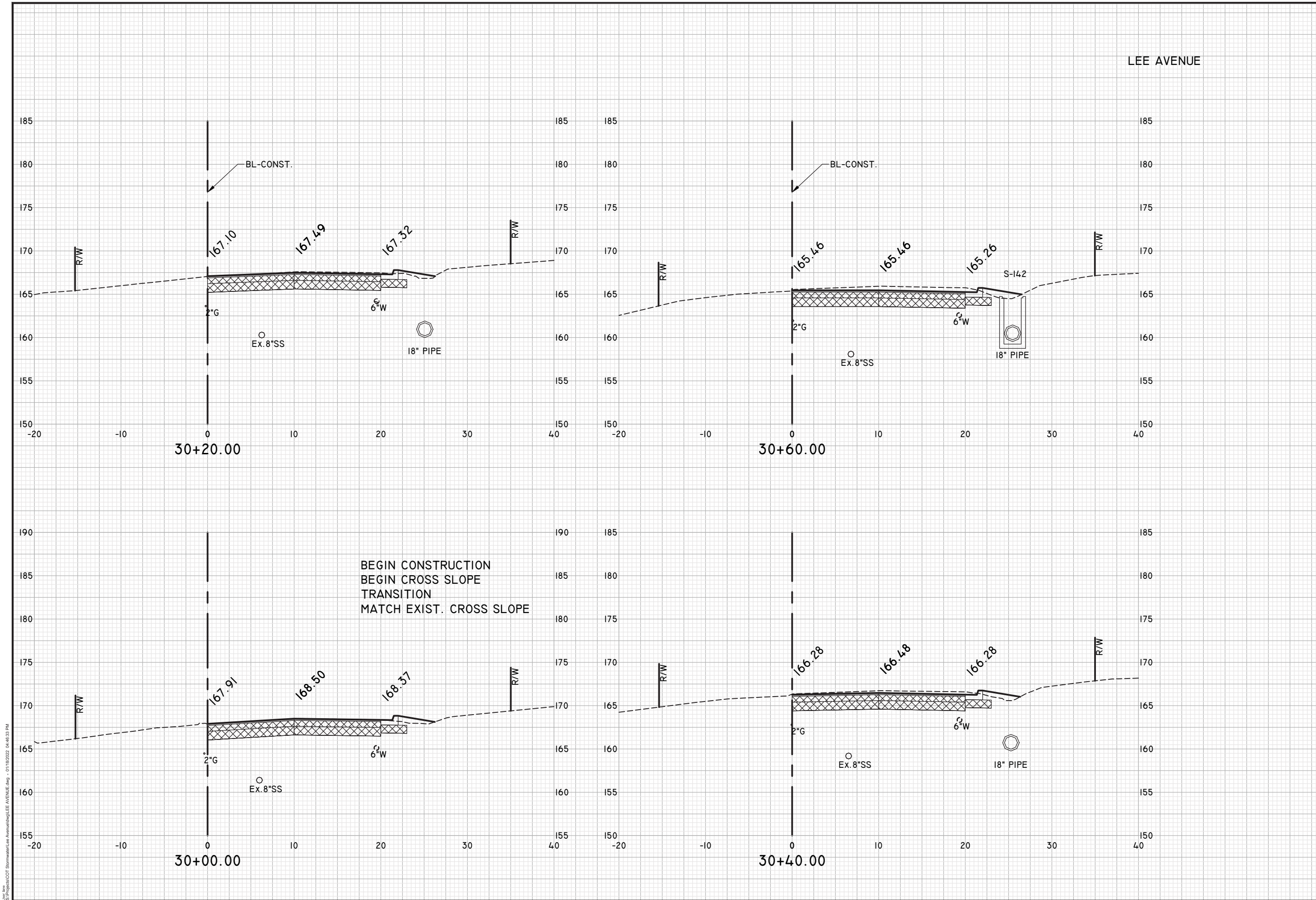
**LEE AVENUE
 DRAINAGE
 IMPROVEMENT
 PROJECT**

EUTAW, INC.
 ENGINEERING-UTILITIES, TRANSPORTATION, AND WATER
 2419 FLEISCHMANN ROAD, STE. 1
 TALLAHASSEE, FL 32308
 PHONE : (850) 383-0400
 WWW.EUTAWINC.COM
 FBPE REGISTRY #9961

JOB No. _____
 DRAWN _____
 DESIGNED _____
 CHECKED _____
 QC _____

SHEET

34



U:\GIS\DOT\Borrows\Lee Avenue\Lee Avenue.dwg - 01/19/2022 04:48:33 PM
 3: Project\DOT\Borrows\Lee Avenue\Lee Avenue.dwg

LEE AVENUE

ENGINEER OF RECORD
 F.P.E. No. **Eutaw, Inc.**
 2419-Fleischmann Road
 Tallahassee, Florida 32308
 (850) 383-0400
 FBPE REGISTRY #9961
 Signature _____ Date _____

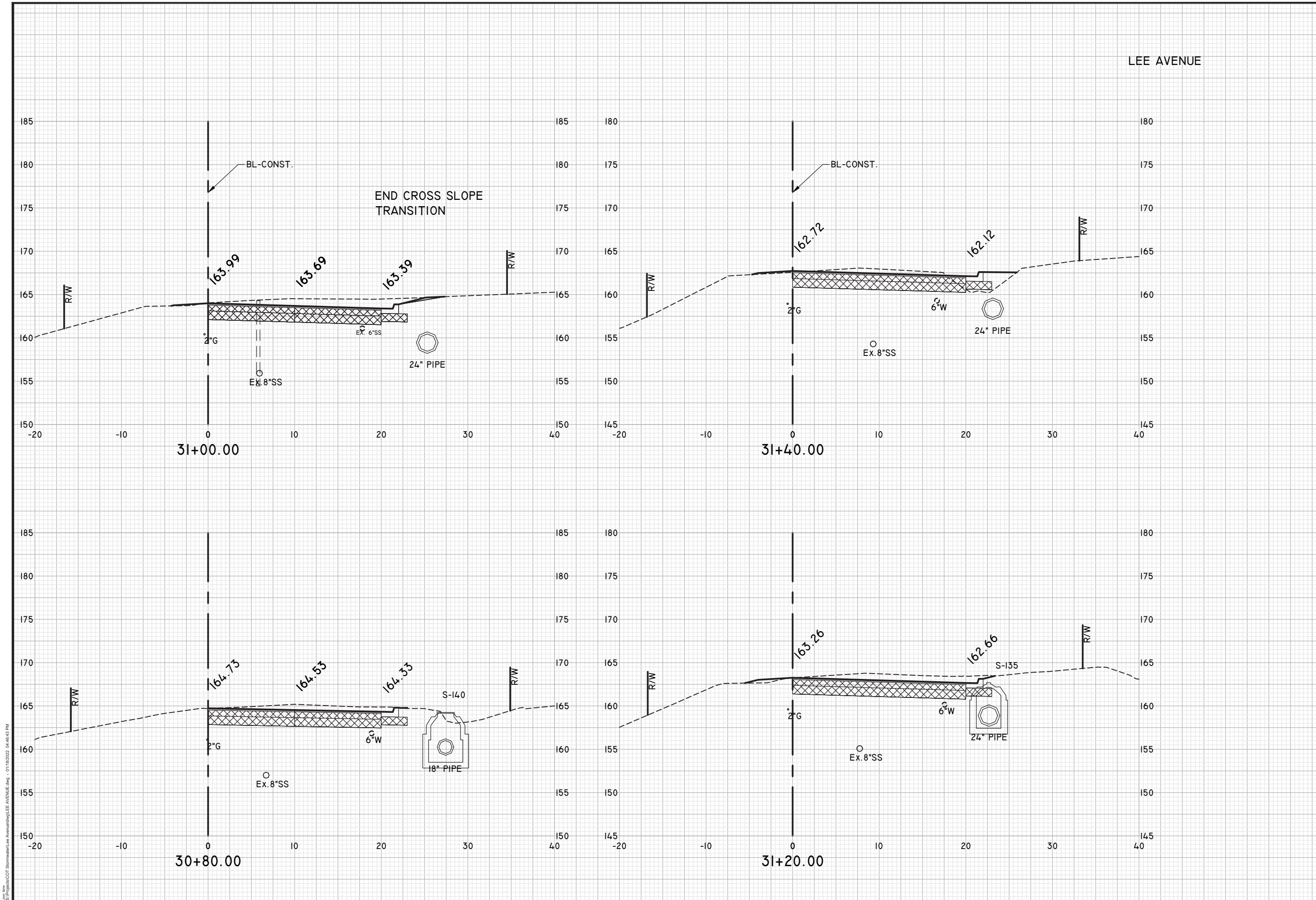
REVISIONS
ORIGINAL
1
2
3
4
5

CROSS SECTIONS

LEE AVENUE DRAINAGE IMPROVEMENT PROJECT

EUTAW, INC.
 ENGINEERING-UTILITIES, TRANSPORTATION, AND WATER
 2419 FLEISCHMANN ROAD, STE. 1
 TALLAHASSEE, FL 32308
 PHONE : (850) 383-0400
 WWW.EUTAWINC.COM
 FBPE REGISTRY #9961

JOB No.	_____
DRAWN	_____
DESIGNED	_____
CHECKED	_____
QC	_____



LEE AVENUE

ENGINEER OF RECORD
 F.P.E. No. **EUTAW, INC.**
 2419 FLEISCHMANN ROAD
 TALLAHASSEE, FLORIDA 32308
 (850) 383-0400
 FBPE REGISTRY #9961
 Signature _____ Date _____

REVISIONS

NO.	DESCRIPTION
1	ORIGINAL
2	
3	
4	
5	

SHEET

CROSS SECTIONS

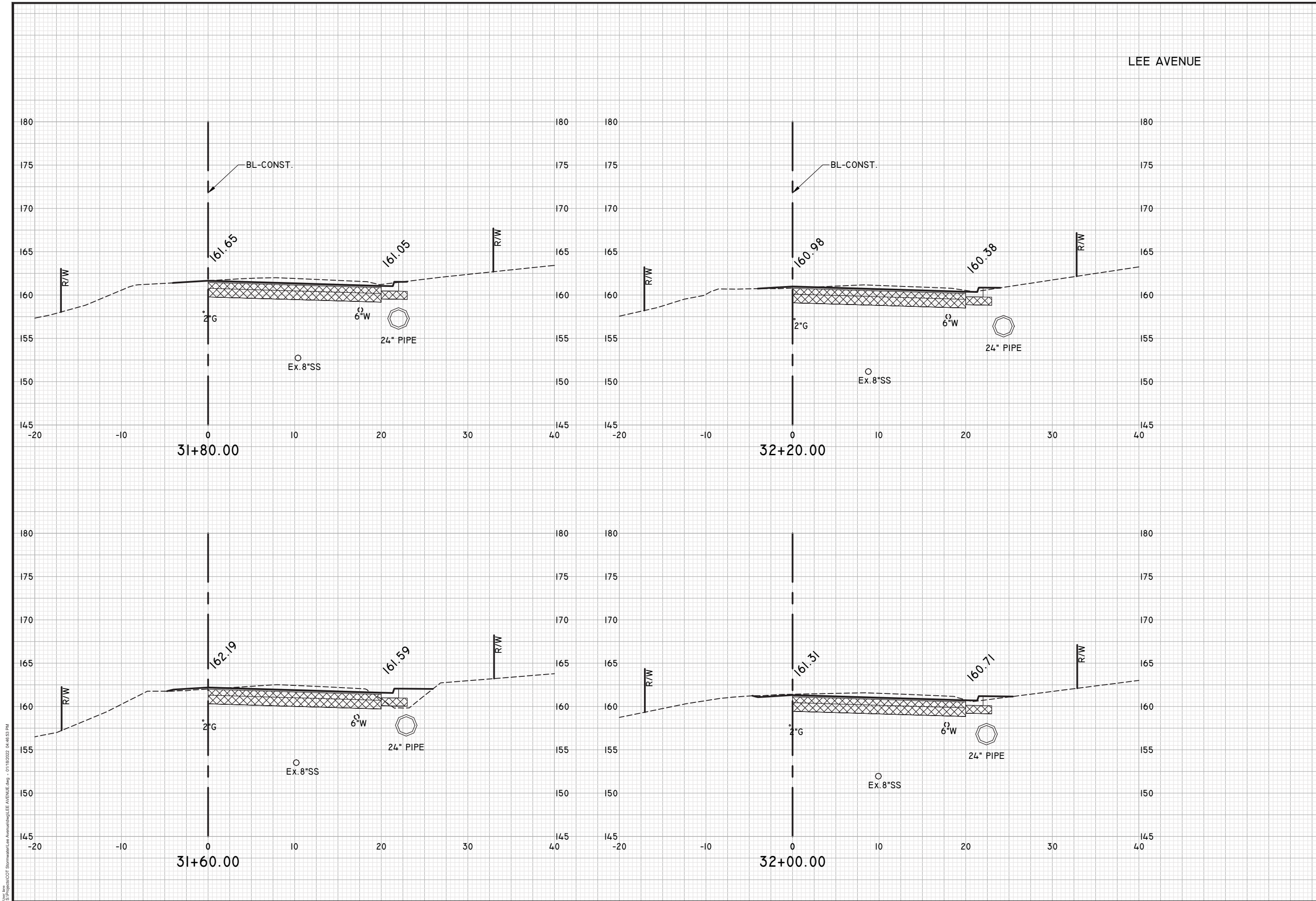
PROJECT

LEE AVENUE DRAINAGE IMPROVEMENT PROJECT

EUTAW, INC.
 ENGINEERING-UTILITIES, TRANSPORTATION, AND WATER
 2419 FLEISCHMANN ROAD, STE. 1
 TALLAHASSEE, FL 32308
 PHONE : (850) 383-0400
 WWW.EUTAWINC.COM
 FBPE REGISTRY #9961

JOB No. _____
 DRAWN _____
 DESIGNED _____
 CHECKED _____
 QC _____

U:\GIS\Projects\COT\BorrowMaterial\Lee Avenue\Lee Avenue.dwg - 01/19/2022 04:48:43 PM



U:\Projects\DOT\Borrows\Lee Avenue\Lee Avenue.dwg - 01/19/2022 04:48:53 PM
 9: Projects\DOT\Borrows\Lee Avenue\Lee Avenue.dwg

ENGINEER OF RECORD
 F.P.E. No. **Eutaw, Inc.**
 2419 Fleischmann Road
 Tallahassee, Florida 32308
 (850) 383-0400
 FBPE REGISTRY #9961
 Signature _____ Date _____

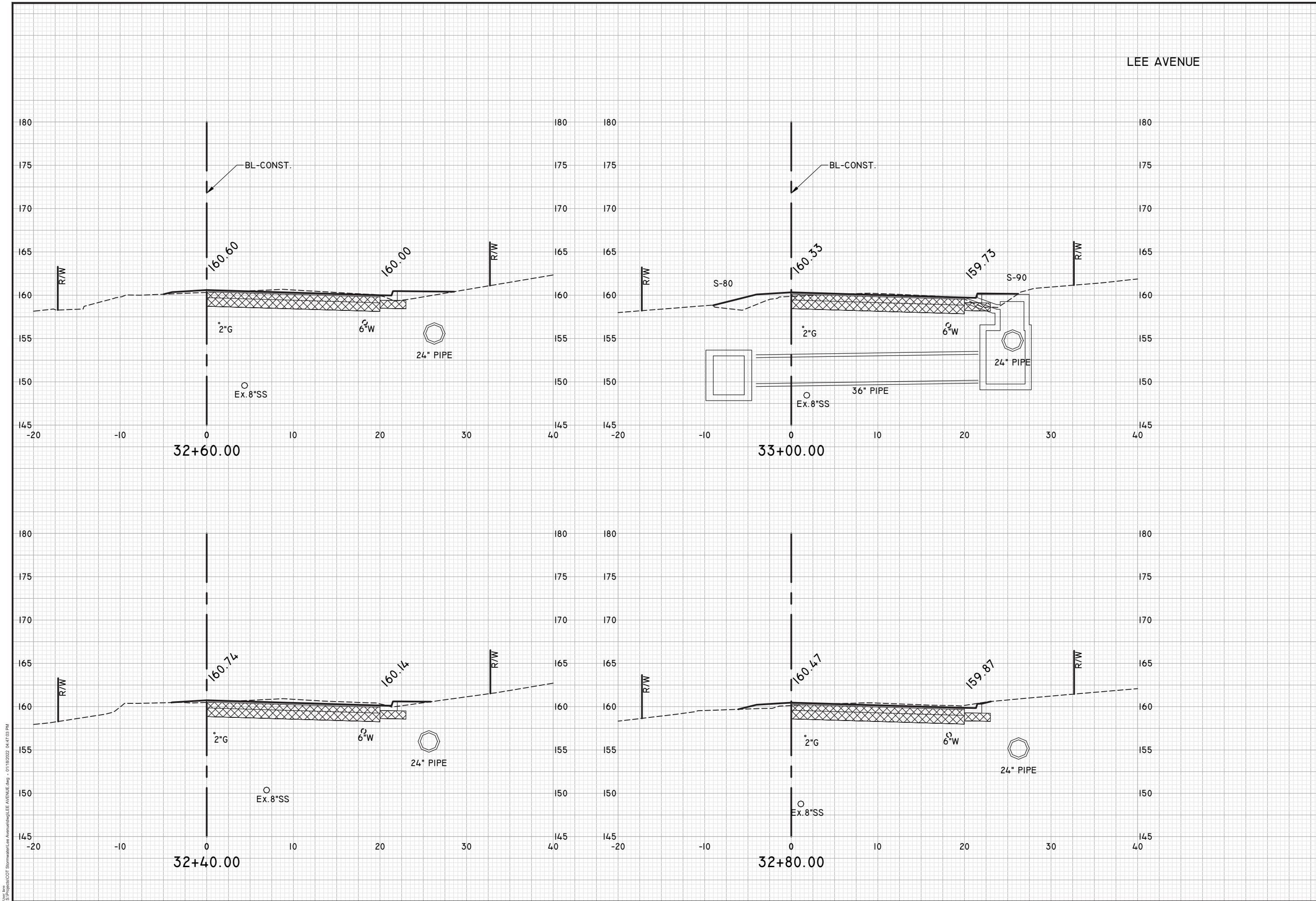
NO.	REVISIONS
1	
2	
3	
4	
5	

SHEET _____
CROSS SECTIONS

PROJECT
**LEE AVENUE
 DRAINAGE
 IMPROVEMENT
 PROJECT**

EUTAW, INC.
 ENGINEERING-UTILITIES, TRANSPORTATION, AND WATER
 2419 FLEISCHMANN ROAD, STE. 1
 TALLAHASSEE, FL 32308
 PHONE : (850) 383-0400
 WWW.EUTAWINC.COM
 FBPE REGISTRY #9961

JOB No. _____
 DRAWN _____
 DESIGNED _____
 CHECKED _____
 QC _____



U:\Projects\DOT\Borrows\Lee Avenue\Lee Avenue.dwg - 01/19/2022 04:47:03 PM
 User: jscott

ENGINEER OF RECORD
 F.P.E. No. **Eutaw, Inc.**
 2419-Fleischmann Road
 Tallahassee, Florida 32308
 (850) 383-0400
 FBPE REGISTRY #9961
 Signature _____ Date _____

REVISIONS
1
2
3
4
5

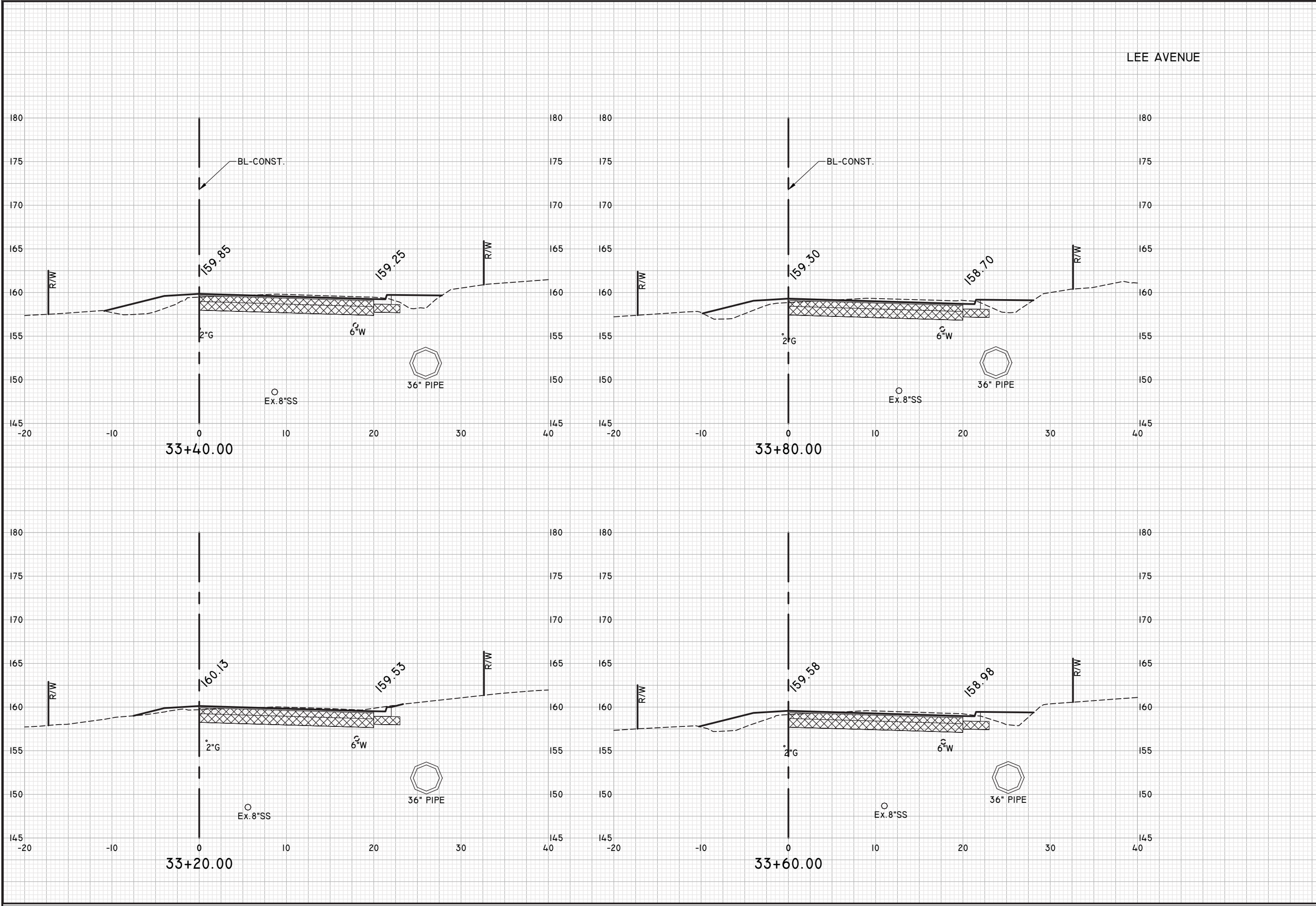
SHEET _____
CROSS SECTIONS

PROJECT
**LEE AVENUE
 DRAINAGE
 IMPROVEMENT
 PROJECT**

Eutaw, Inc.
 ENGINEERING-UTILITIES, TRANSPORTATION, AND WATER
 2419 FLEISCHMANN ROAD, STE. 1
 TALLAHASSEE, FL 32308
 PHONE : (850) 383-0400
 WWW.EUTAWINC.COM
 FBPE REGISTRY #9961

JOB No.	_____
DRAWN	_____
DESIGNED	_____
CHECKED	_____
QC	_____

U:\Projects\DOT\Borwick\Lee Avenue\Lee Avenue.dwg - 01/19/2022 04:47:13 PM



LEE AVENUE

ENGINEER OF RECORD
 F.P.E. No. **EUTAW, INC.**
 2419-FLEISCHMANN ROAD
 TALLAHASSEE, FLORIDA 32308
 (850) 383-0400
 FBPE REGISTRY #9961
 Signature _____ Date _____

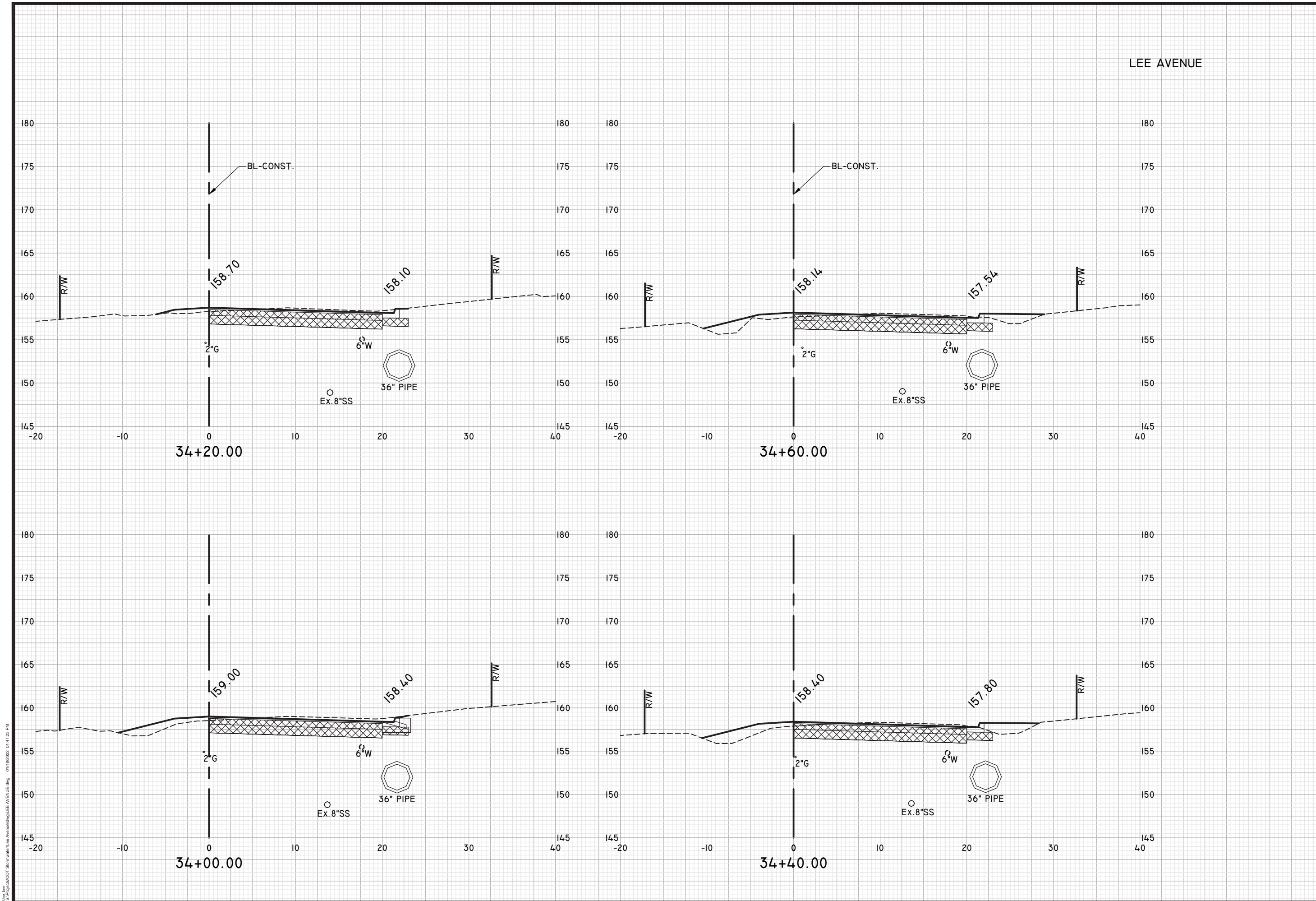
REVISIONS
1
2
3
4
5

CROSS SECTIONS

LEE AVENUE
 DRAINAGE
 IMPROVEMENT
 PROJECT

EUTAW, INC.
 ENGINEERING-UTILITIES, TRANSPORTATION, AND WATER
 2419 FLEISCHMANN ROAD, STE. 1
 TALLAHASSEE, FL 32308
 PHONE : (850) 383-0400
 WWW.EUTAWINC.COM
 FBPE REGISTRY #9961

JOB No. _____
 DRAWN _____
 DESIGNED _____
 CHECKED _____
 QC _____



LEE AVENUE

ENGINEER OF RECORD
 F.P.E. No. **Eutaw, Inc.**
 2419 FLEISCHMANN ROAD
 TALLAHASSEE, FLORIDA 32308
 (850) 383-9400
 FBPE REGISTRY #9961
 Signature _____ Date _____

REVISIONS	DATE
1	
2	
3	
4	
5	

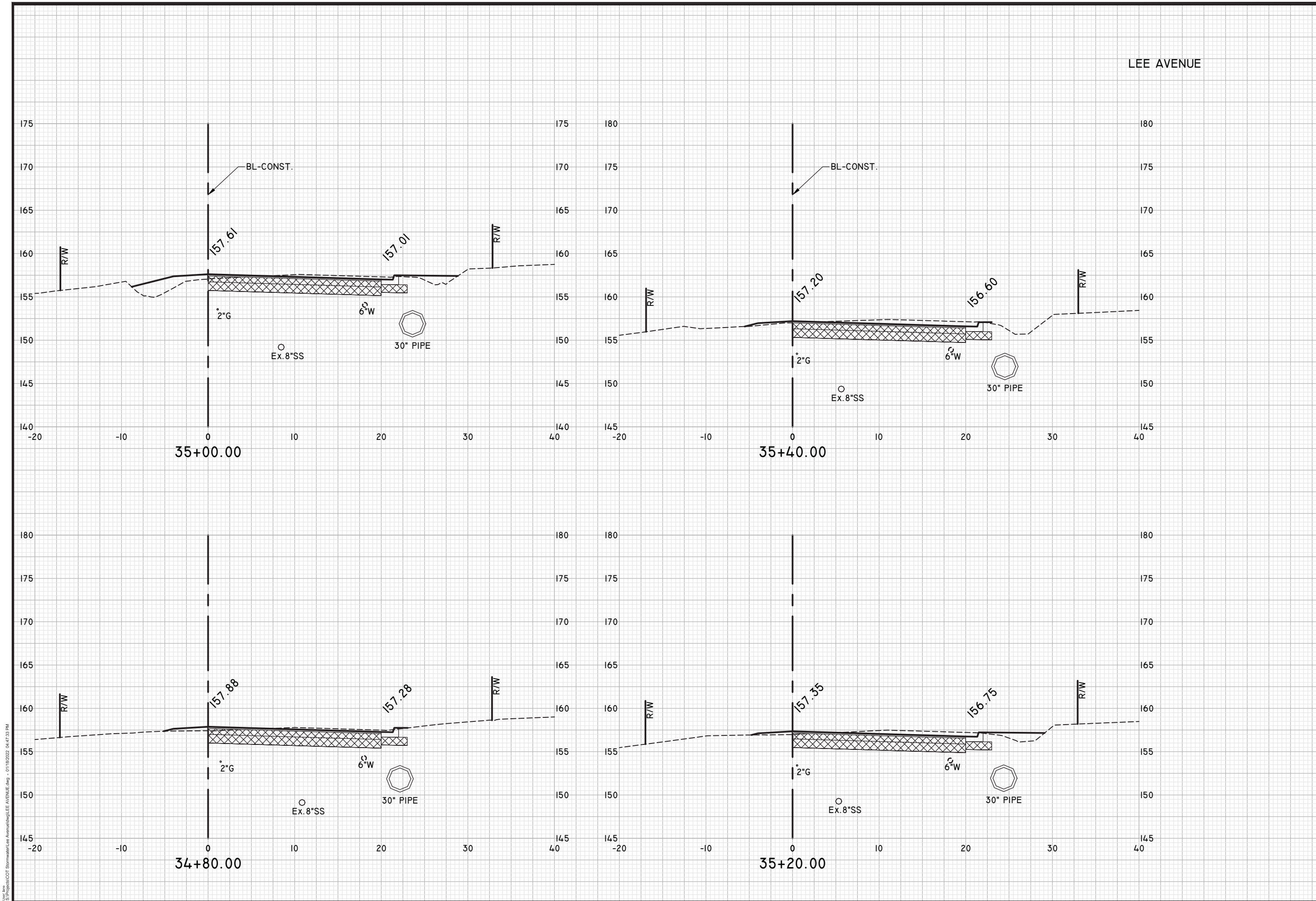
SHEET
CROSS SECTIONS

PROJECT
**LEE AVENUE
 DRAINAGE
 IMPROVEMENT
 PROJECT**

Eutaw, Inc.
 ENGINEERING-UTILITIES, TRANSPORTATION, AND WATER
 2419 FLEISCHMANN ROAD, STE. 1
 TALLAHASSEE, FL 32308
 PHONE : (850) 383-9400
 WWW.EUTAWINC.COM
 FBPE REGISTRY #9961

JOB No. _____
 DRAWN _____
 DESIGNED _____
 CHECKED _____
 QC _____
 SHEET
40

U:\Projects\COT\Borrow\Lee Ave\Lee Avenue.dwg - 01/19/2022 04:47:23 PM



LEE AVENUE

ENGINEER OF RECORD
 F.P.E. No. **Eutaw, Inc.**
 2419 Fleishmann Road
 Tallahassee, Florida 32308
 (850) 383-9400
 FBPE REGISTRY #9961
 Signature _____ Date _____

NO.	REVISIONS
1	ORIGINAL
2	
3	
4	
5	

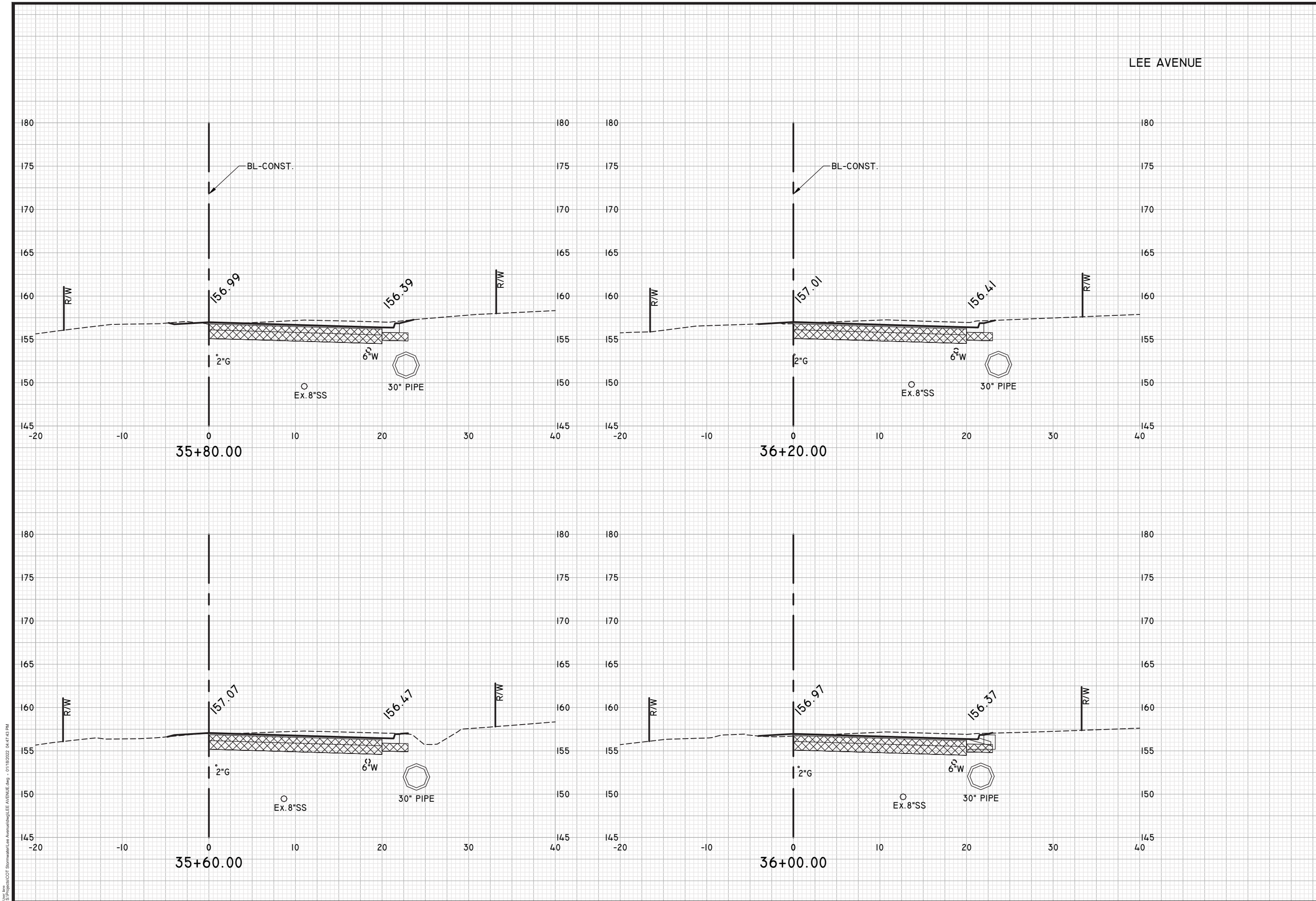
SHEET _____
CROSS SECTIONS

PROJECT
**LEE AVENUE
 DRAINAGE
 IMPROVEMENT
 PROJECT**

Eutaw, Inc.
 ENGINEERING-UTILITIES, TRANSPORTATION, AND WATER
 2419 FLEISCHMANN ROAD, STE. 1
 TALLAHASSEE, FL 32308
 PHONE : (850) 383-9400
 WWW.EUTAWINC.COM
 FBPE REGISTRY #9961

JOB No. _____
 DRAWN _____
 DESIGNED _____
 CHECKED _____
 QC _____
 SHEET
41

U:\Projects\COT\Borrows\Lee Avenue\Lee Avenue.dwg - 01/19/2022 04:47:33 PM



LEE AVENUE

ENGINEER OF RECORD
 F.P.E. No. **Eutaw, Inc.**
 2419-1 Fleischmann Road
 Tallahassee, Florida 32308
 (850) 383-0400
 FBPE REGISTRY #9961
 Signature _____ Date _____

REVISIONS
1
2
3
4
5

SHEET _____
CROSS SECTIONS

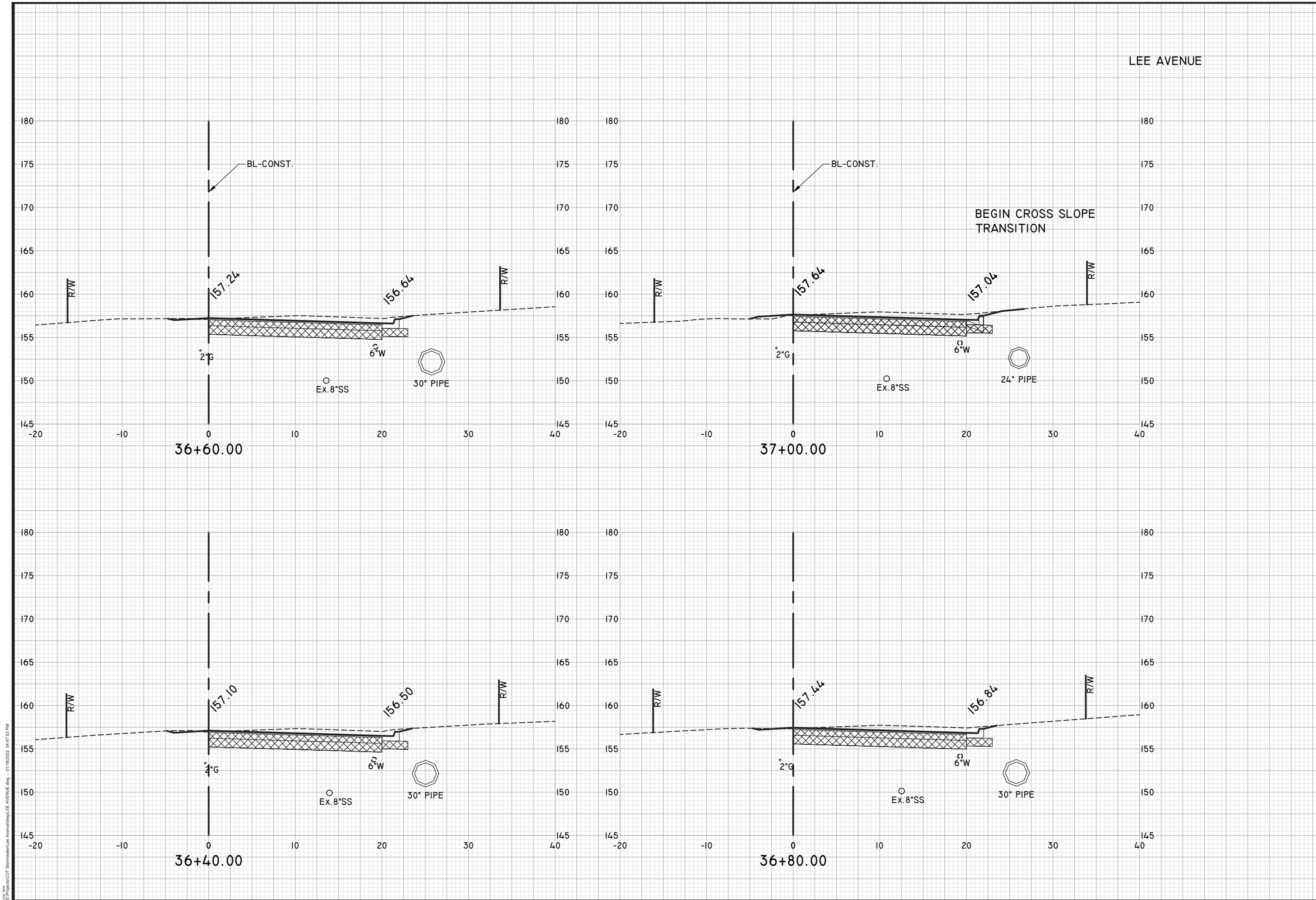
PROJECT
**LEE AVENUE
 DRAINAGE
 IMPROVEMENT
 PROJECT**

Eutaw, Inc.
 ENGINEERING-UTILITIES, TRANSPORTATION, AND WATER
 2419 FLEISCHMANN ROAD, STE. 1
 TALLAHASSEE, FL 32308
 PHONE : (850) 383-0400
 WWW.EUTAWINC.COM
 FBPE REGISTRY #9961

JOB No. _____
 DRAWN _____
 DESIGNED _____
 CHECKED _____
 QC _____

SHEET
42

U:\Projects\COT\BorrowMaterial\Lee Avenue\Lee Avenue.dwg - 01/19/2022 04:47:43 PM



LEE AVENUE

ENGINEER OF RECORD
 F.P.E. No. **EUTAW, INC.**
 2419-1 Fleischmann Road
 Tallahassee, Florida 32308
 (850) 383-0400
 FBPE REGISTRY #9961
 Signature _____ Date _____

NO.	REVISIONS
1	ORIGINAL
2	
3	
4	
5	

SHEET
CROSS SECTIONS

PROJECT
**LEE AVENUE
 DRAINAGE
 IMPROVEMENT
 PROJECT**

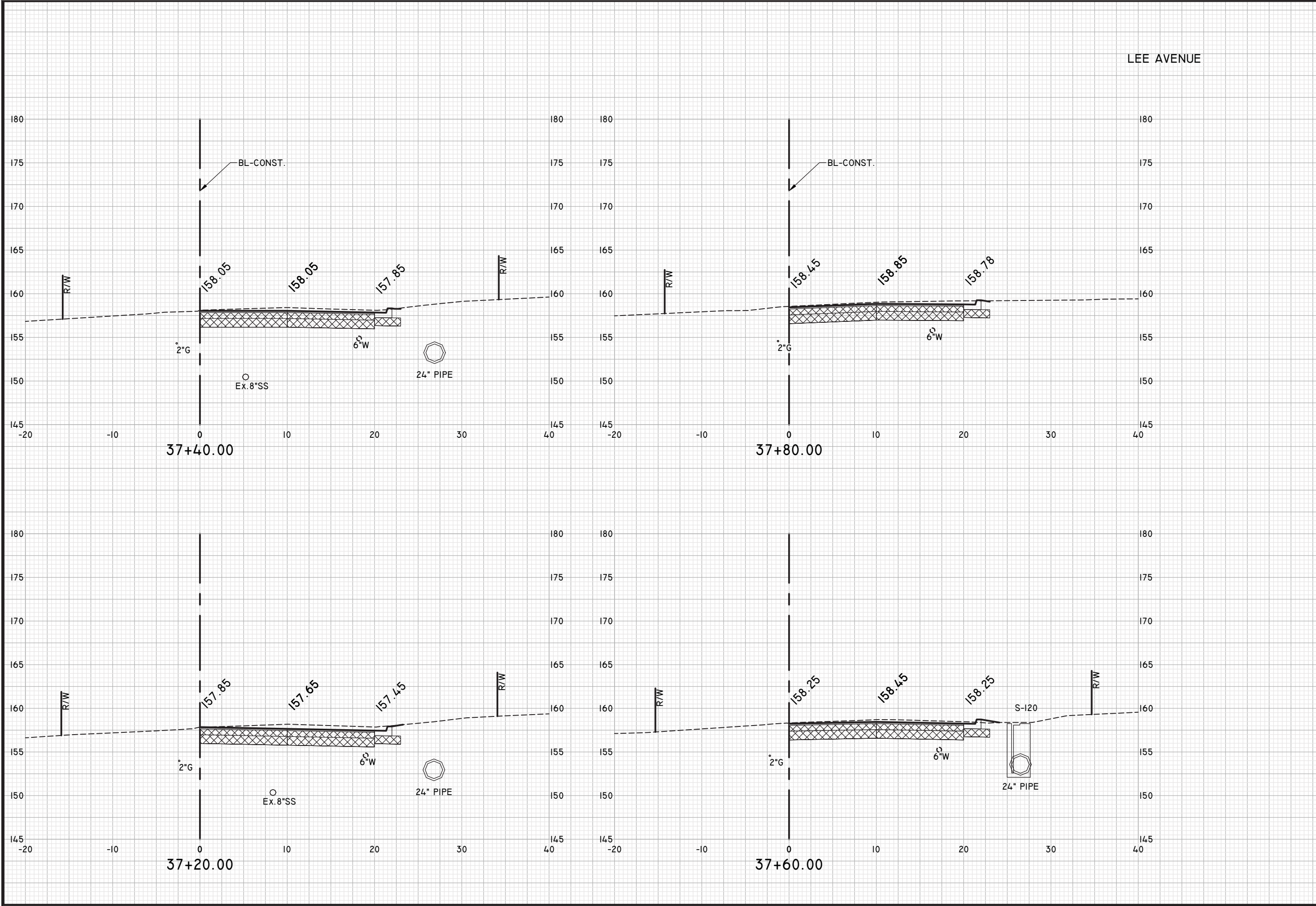
EUTAW, INC.
 ENGINEERING-UTILITIES, TRANSPORTATION, AND WATER
 2419 FLEISCHMANN ROAD, STE. 1
 TALLAHASSEE, FL 32308
 PHONE : (850) 383-0400
 WWW.EUTAWINC.COM
 FBPE REGISTRY #9961

JOB No.	_____
DRAWN	_____
DESIGNED	_____
CHECKED	_____
QC	_____

SHEET
43

U:\GIS\DOT\Borrow\Lee Ave\Lee Ave.dwg - 01/19/2022 04:47:53 PM

U:\GIS\Projects\COT\Borrows\Lee Ave\Lee Ave.dwg - 01/19/2022 04:48:03 PM



LEE AVENUE

ENGINEER OF RECORD
 F.P.E. No. **EUTAW, INC.**
 2419 FLEISCHMANN ROAD
 TALLAHASSEE, FLORIDA 32308
 (850) 383-0400
 FBPE REGISTRY #9961
 Signature _____ Date _____

NO.	REVISIONS
1	ORIGINAL
2	
3	
4	
5	

SHEET _____
CROSS SECTIONS

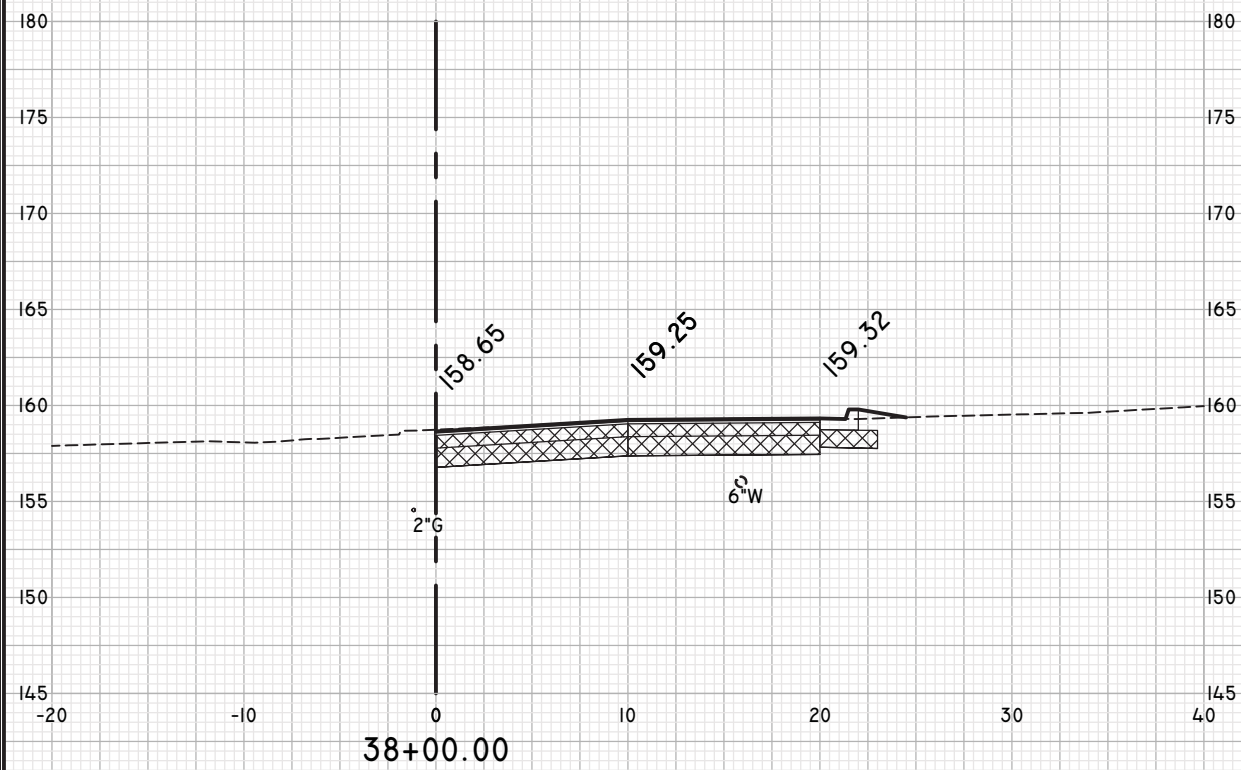
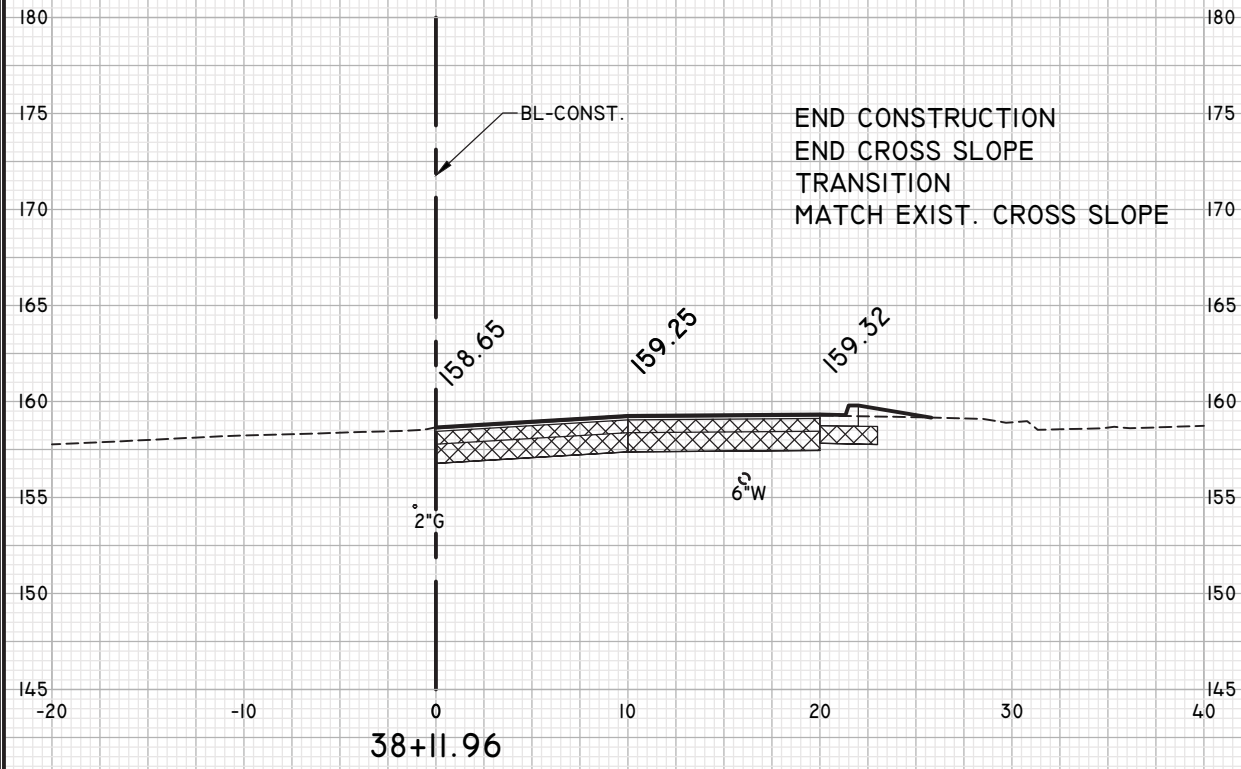
PROJECT
**LEE AVENUE
 DRAINAGE
 IMPROVEMENT
 PROJECT**

EUTAW, INC.
 ENGINEERING-UTILITIES, TRANSPORTATION, AND WATER
 2419 FLEISCHMANN ROAD, STE. 1
 TALLAHASSEE, FL 32308
 PHONE : (850) 383-0400
 WWW.EUTAWINC.COM
 FBPE REGISTRY #9961

JOB No. _____
 DRAWN _____
 DESIGNED _____
 CHECKED _____
 QC _____

SHEET
44

\\fs1\apps\cadd\2022\Lee Avenue\Lee Avenue.dwg - 01/19/2022 04:48:33 PM



LEE AVENUE

ENGINEER OF RECORD
 F.P.E. No. **EUTAW, INC.**
 2419 Fleischmann Road
 Tallahassee, Florida 32308
 (850) 383-0400
 FBPE REGISTRY #9961
 Signature _____ Date _____

NO.	REVISIONS
1	
2	
3	
4	
5	

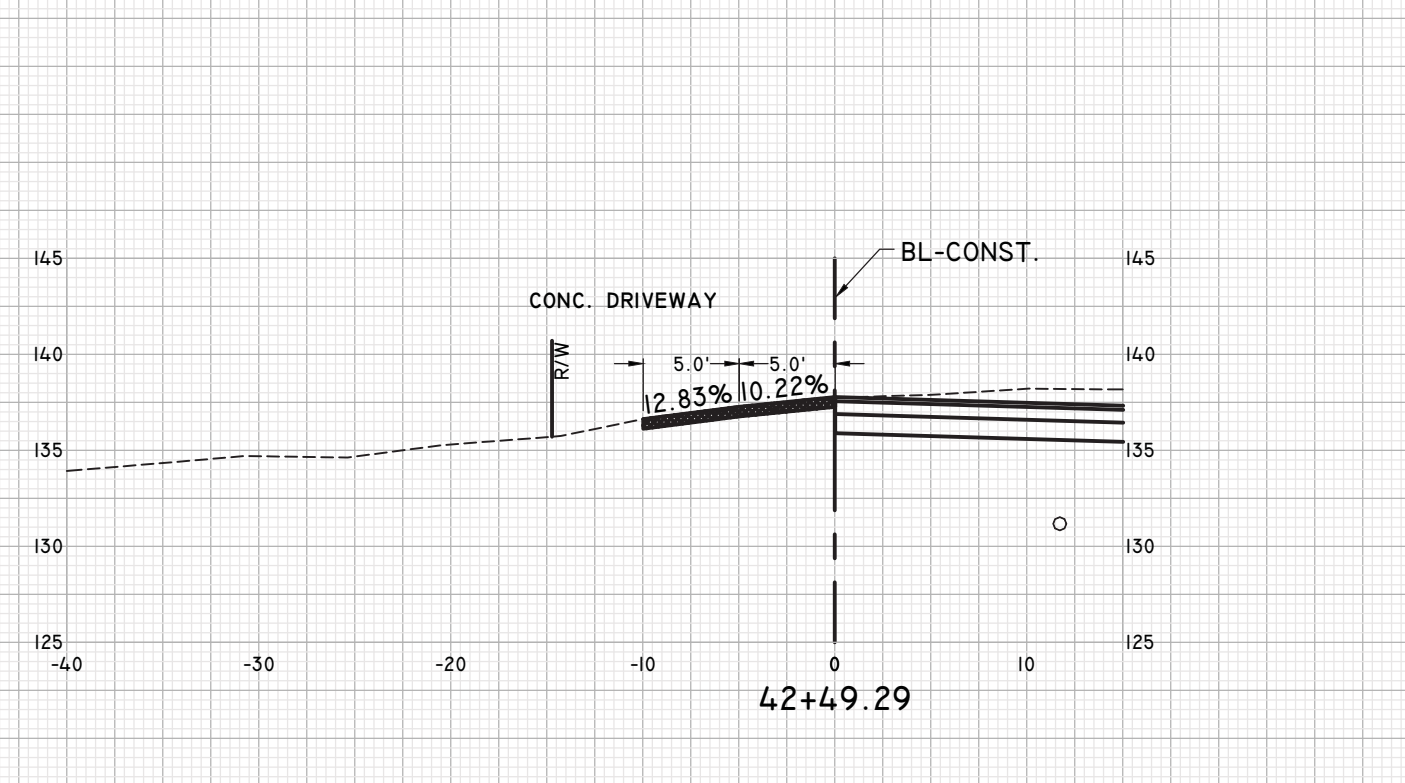
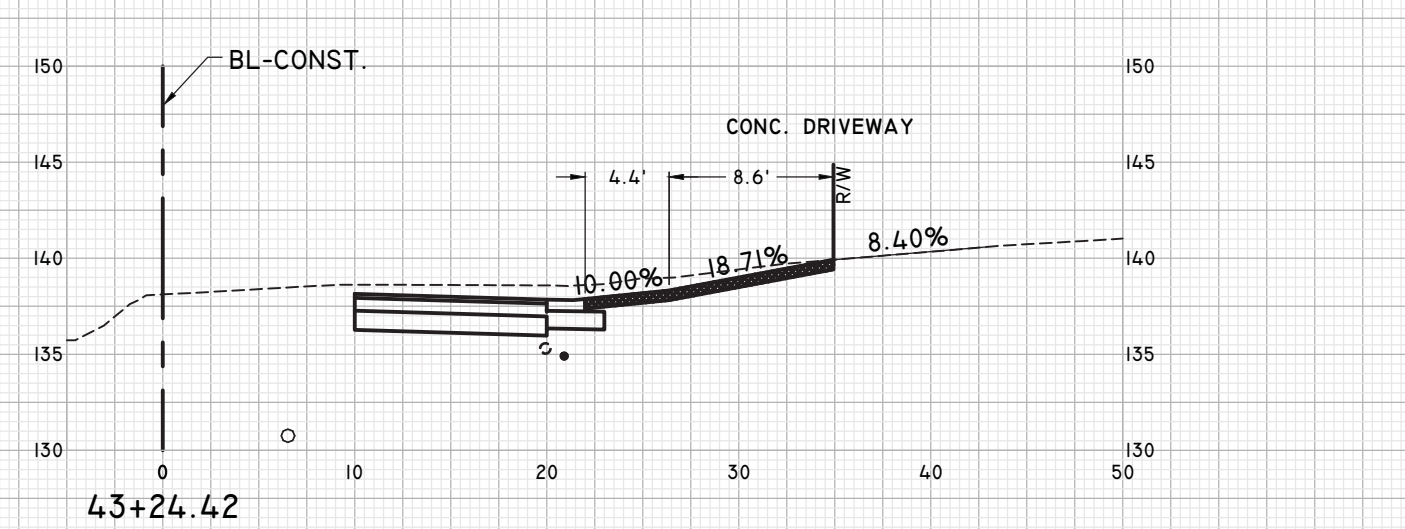
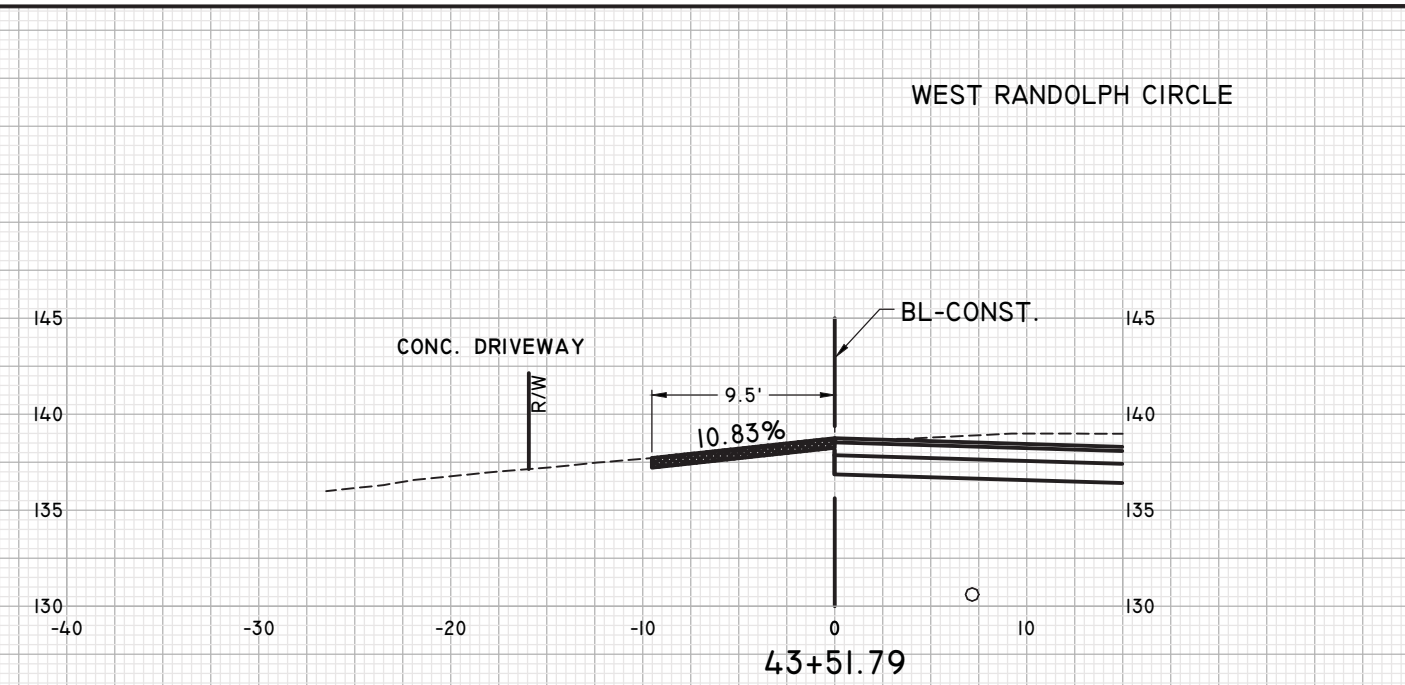
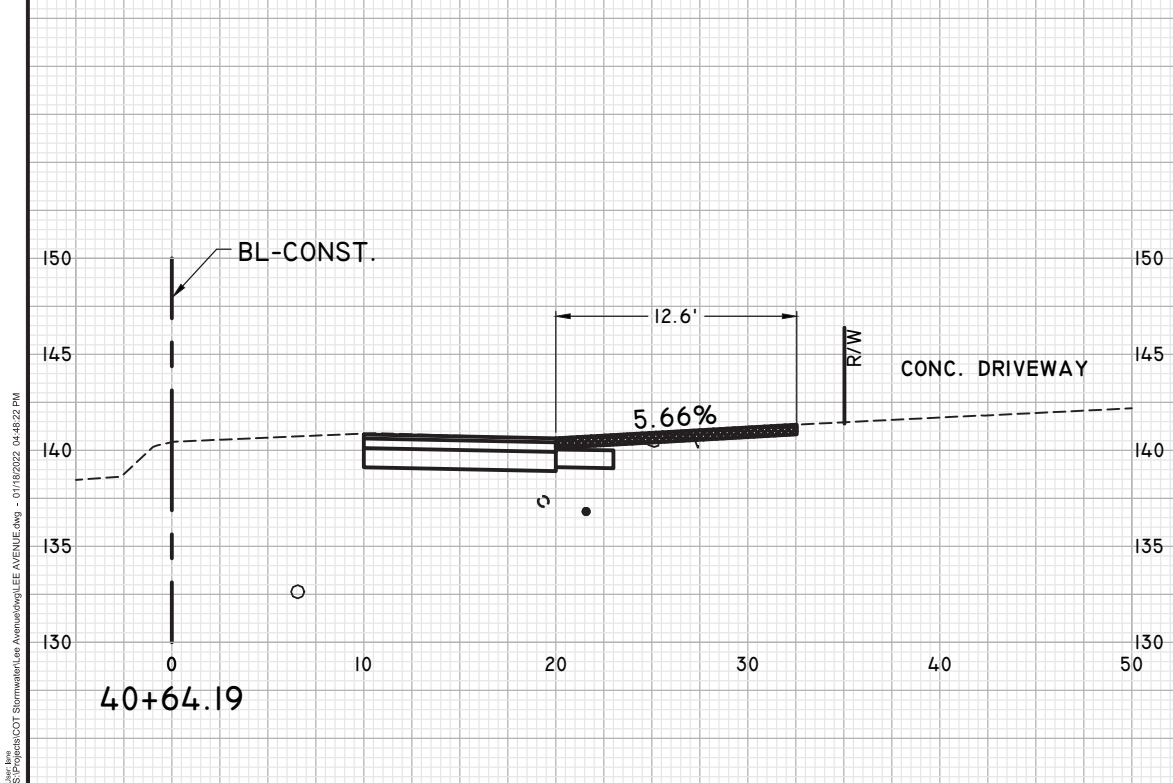
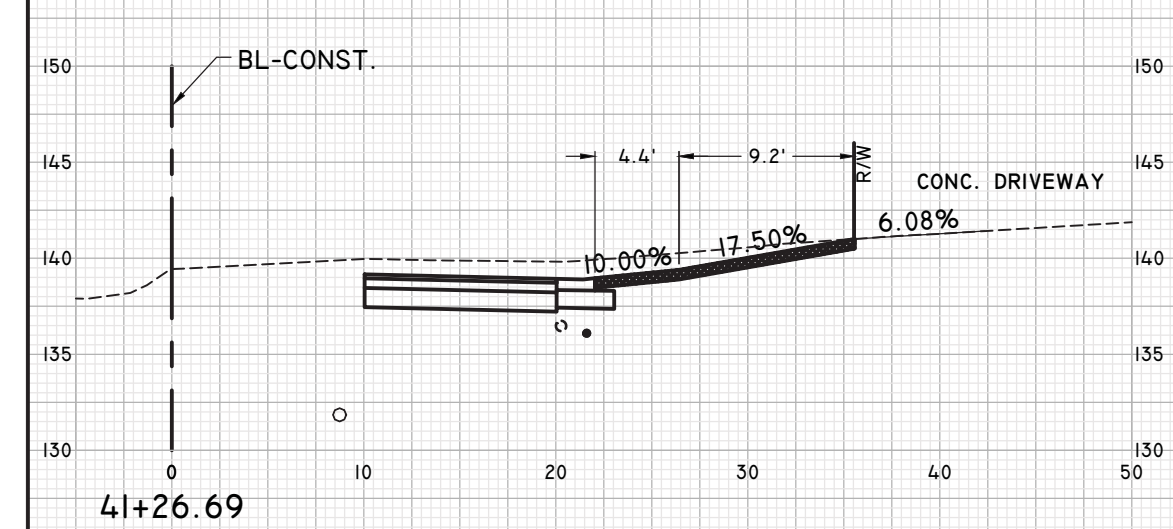
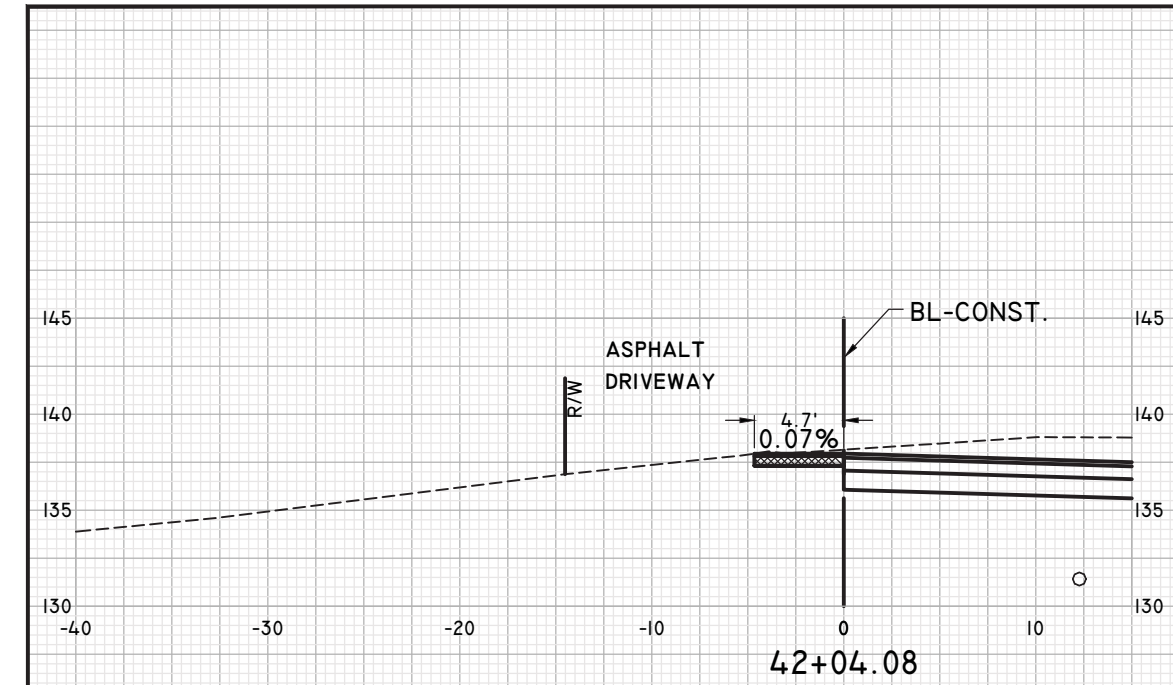
SHEET
CROSS SECTIONS

PROJECT
**LEE AVENUE
 DRAINAGE
 IMPROVEMENT
 PROJECT**

EUTAW, INC.
 ENGINEERING-UTILITIES, TRANSPORTATION, AND WATER
 2419 FLEISCHMANN ROAD, STE. 1
 TALLAHASSEE, FL 32308
 PHONE : (850) 383-0400
 WWW.EUTAWINC.COM
 FBPE REGISTRY #9961

JOB No. _____
 DRAWN _____
 DESIGNED _____
 CHECKED _____
 QC _____

SHEET
45



WEST RANDOLPH CIRCLE

ENGINEER OF RECORD
 EUTAW, INC.
 2419-1 Fleischmann Road
 Tallahassee, Florida 32308
 (850) 383-9400
 FBPE REGISTRY #9961
 Signature _____ Date _____

REVISIONS
1
2
3
4
5

ROADWAY DETAILS
 DRIVEWAY PROFILES

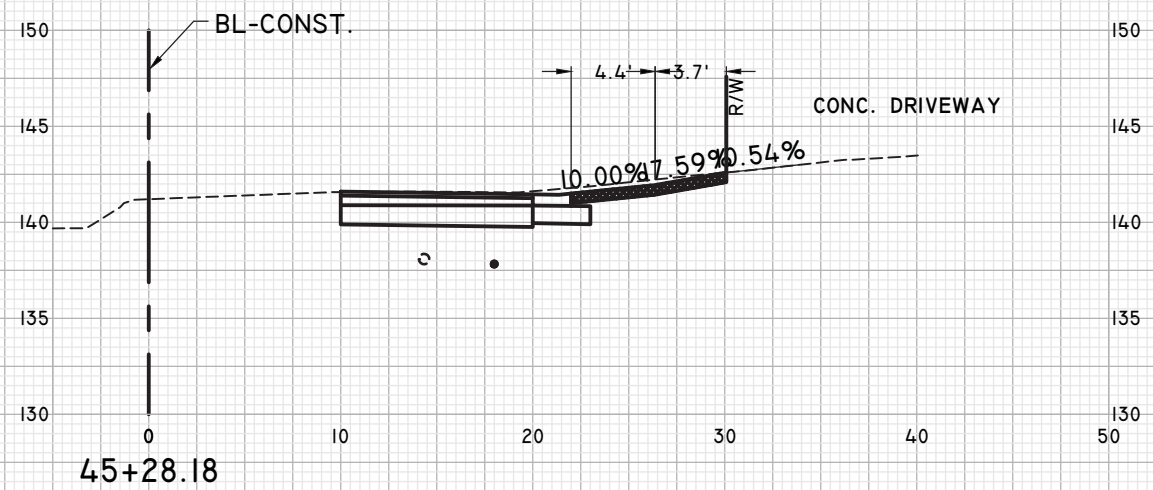
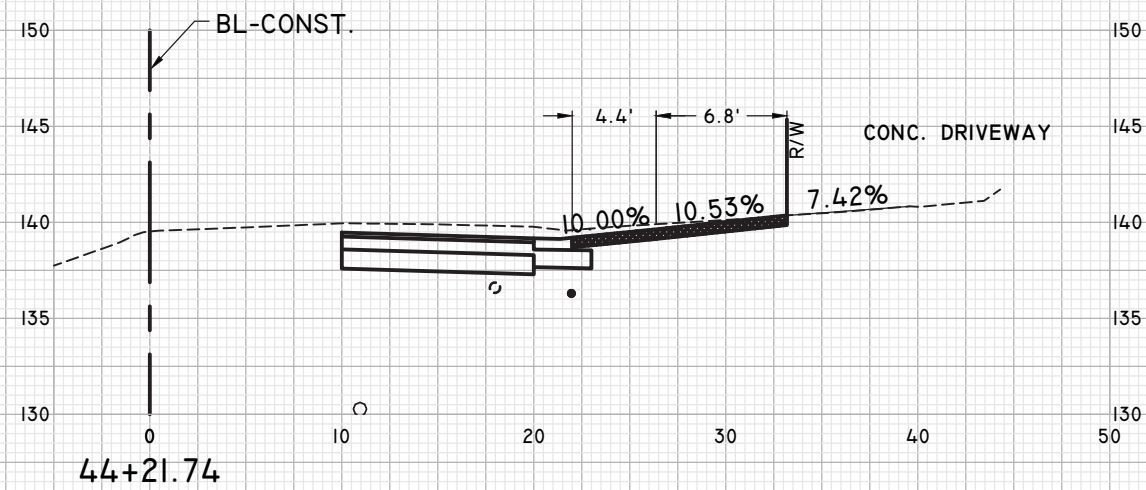
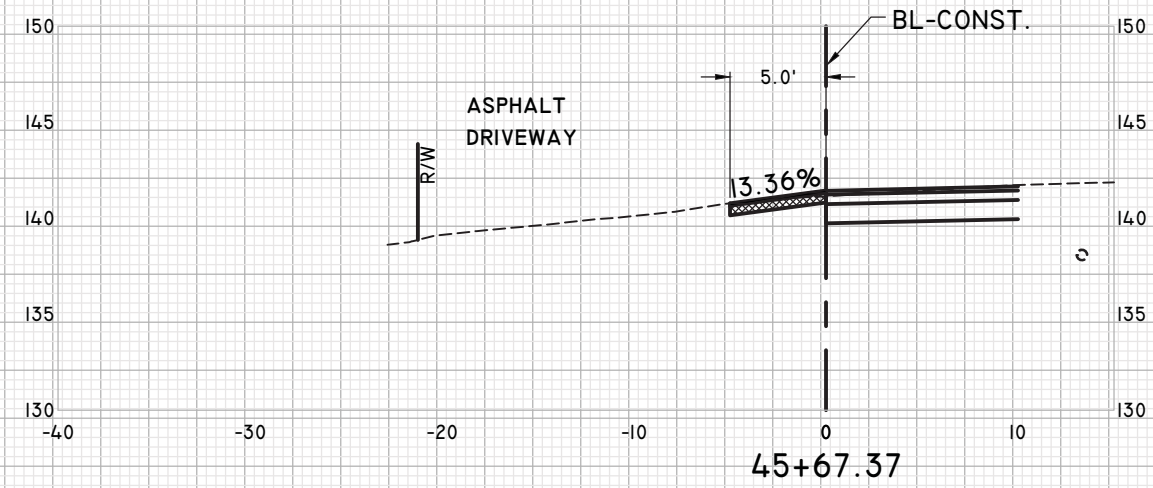
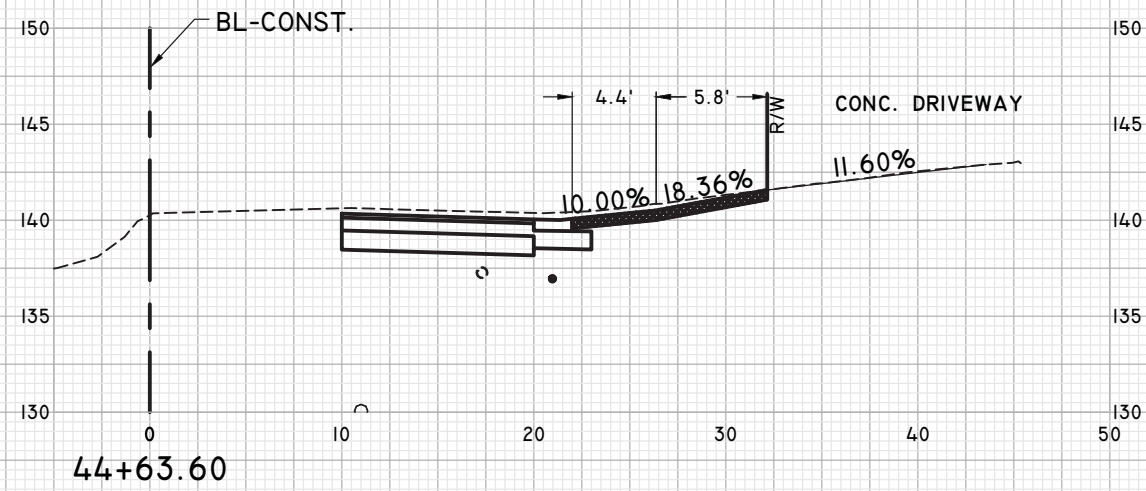
LEE AVENUE
 DRAINAGE
 IMPROVEMENT
 PROJECT

EUTAW, INC.
 ENGINEERING-UTILITIES, TRANSPORTATION, AND WATER
 2419 FLEISCHMANN ROAD, STE. 1
 TALLAHASSEE, FL 32308
 PHONE : (850) 383-9400
 WWW.EUTAWINC.COM
 FBPE REGISTRY #9961

JOB No.	_____
DRAWN	_____
DESIGNED	_____
CHECKED	_____
QC	_____
SHEET	46

U:\GIS\DOT\Borrows\Lee Avenue\Lee Avenue.dwg - 01/18/2022 04:48:22 PM
 2/18/2022 04:48:22 PM

WEST RANDOLPH CIRCLE



ENGINEER OF RECORD
 F.L.P.E. No. **Eutaw, Inc.**
 2419-Fleischmann Road
 Tallahassee, Florida 32308
 (850) 383-9400
 FBPE REGISTRY #9961
 Signature _____ Date _____

NO.	REVISIONS
1	ORIGINAL
2	
3	
4	
5	

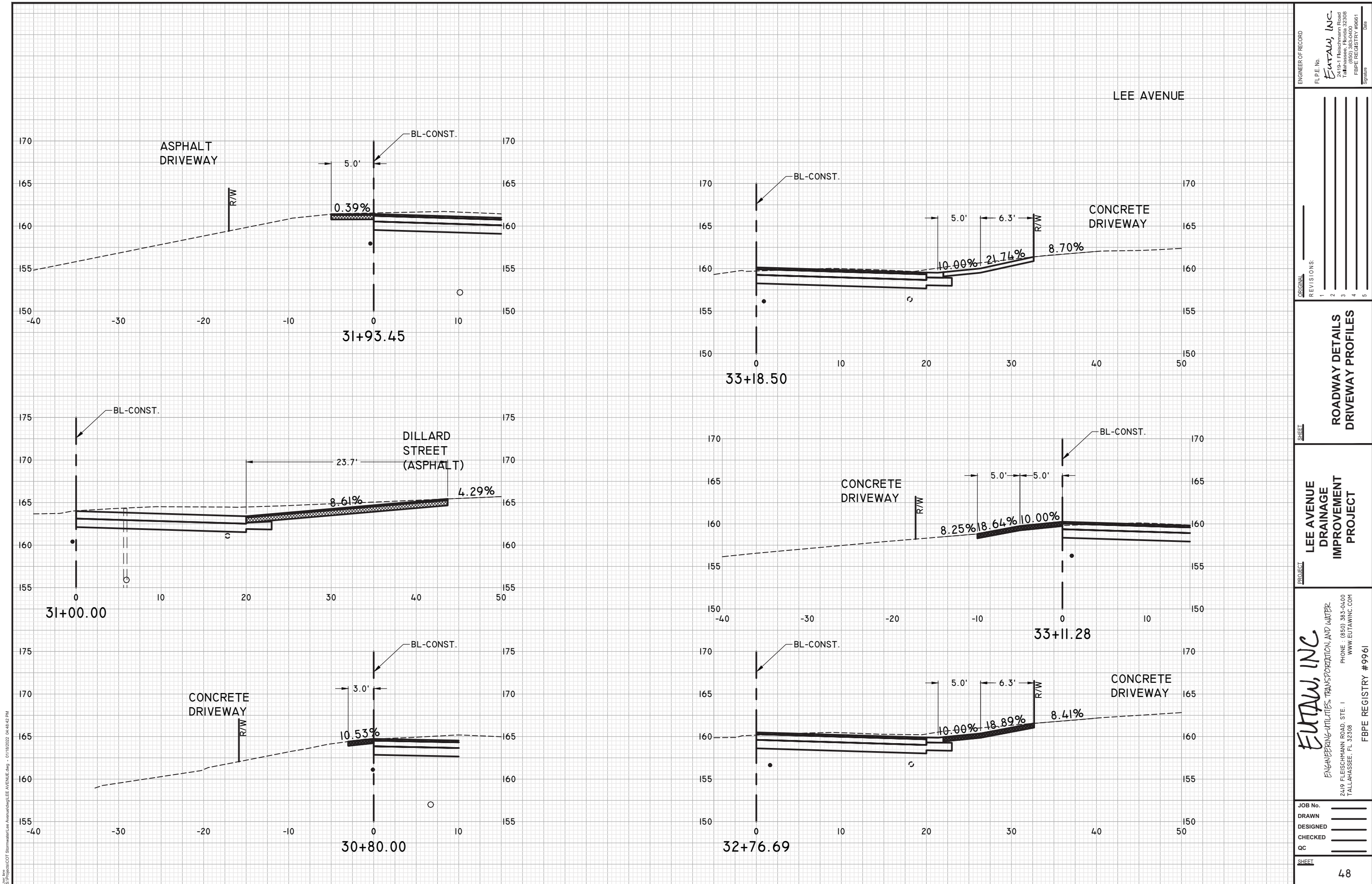
SHEET
ROADWAY DETAILS
DRIVEWAY PROFILES

PROJECT
LEE AVENUE
DRAINAGE
IMPROVEMENT
PROJECT

EUTAW, INC.
 ENGINEERING-UTILITIES, TRANSPORTATION, AND WATER
 2419 FLEISCHMANN ROAD, STE. 1
 TALLAHASSEE, FL 32308
 PHONE : (850) 383-9400
 WWW.EUTAWINC.COM
 FBPE REGISTRY #9961

JOB No.	_____
DRAWN	_____
DESIGNED	_____
CHECKED	_____
QC	_____

U:\Projects\DOT\BorrowMaterial\Lee Avenue\Lee Avenue.dwg - 01/15/2022 04:48:32 PM



ENGINEER OF RECORD
 Eutaw, Inc.
 2419 Fleischmann Road
 Tallahassee, Florida 32308
 (850) 383-0400
 FBPE REGISTRY #9961
 Signature _____ Date _____

REVISIONS

1	
2	
3	
4	
5	

ROADWAY DETAILS
 DRIVEWAY PROFILES

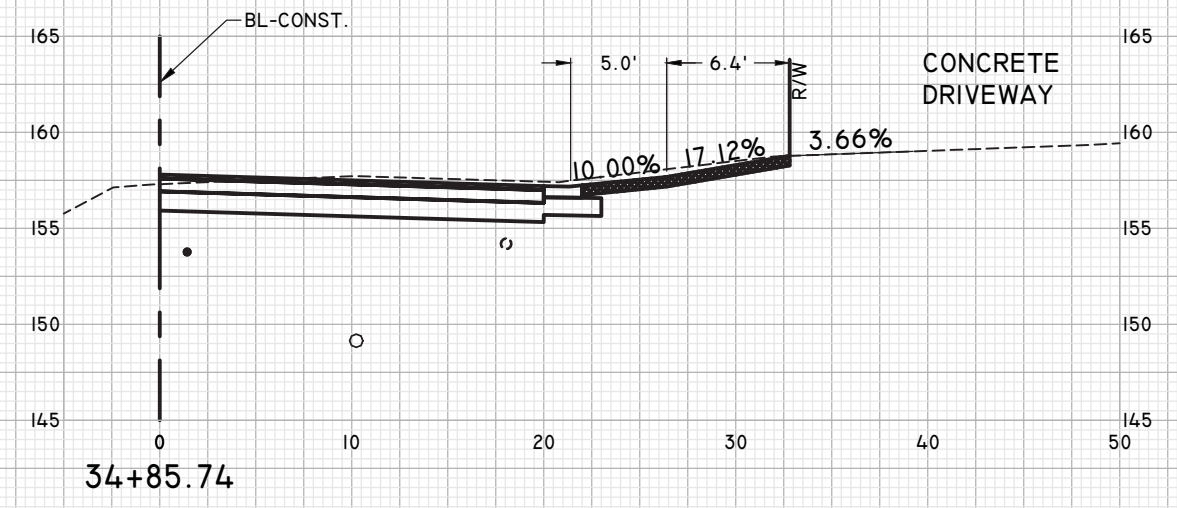
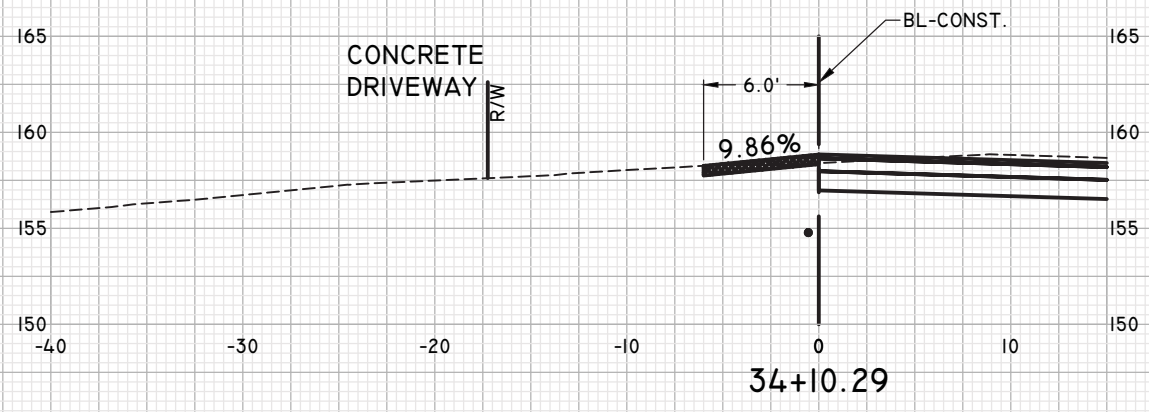
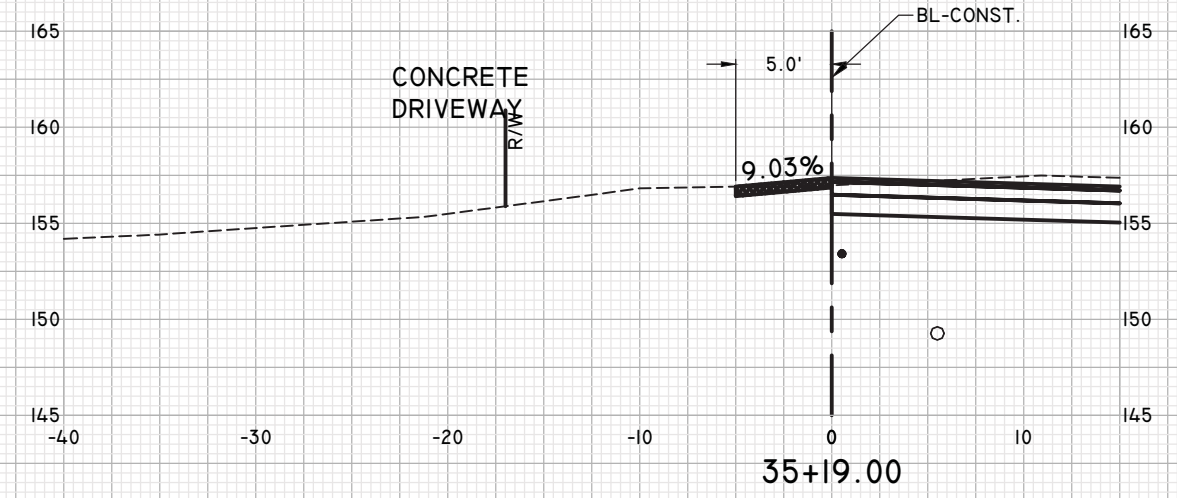
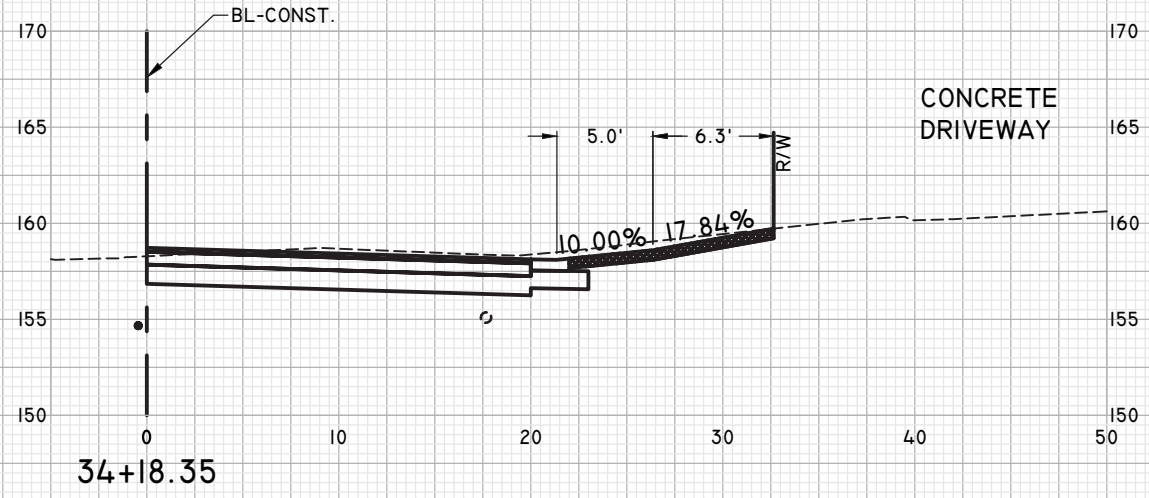
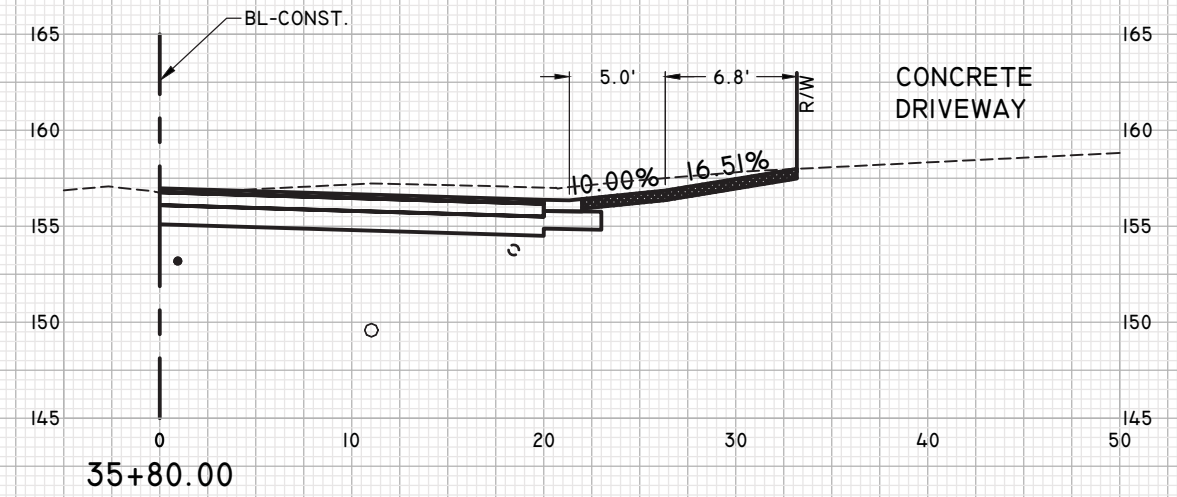
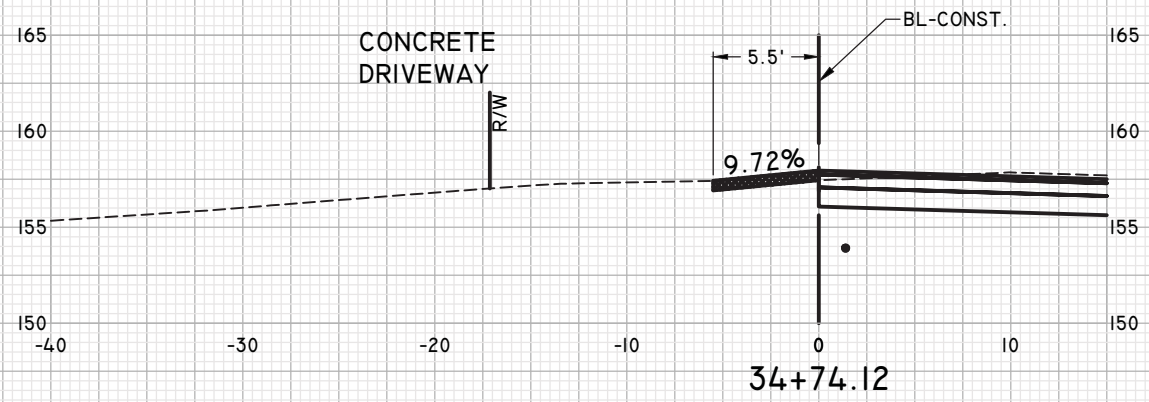
LEE AVENUE
 DRAINAGE
 IMPROVEMENT
 PROJECT

Eutaw, Inc.
 ENGINEERING-UTILITIES, TRANSPORTATION, AND WATER
 2419 FLEISCHMANN ROAD, STE. 1
 TALLAHASSEE, FL 32308
 PHONE : (850) 383-0400
 WWW.EUTAWINC.COM
 FBPE REGISTRY #9961

JOB No. _____
 DRAWN _____
 DESIGNED _____
 CHECKED _____
 QC _____

U:\GIS\Projects\COT\Borrows\Lee Avenue\Lee Avenue.dwg - 01/15/2022 04:48:42 PM

U:\Projects\DOT\Borrows\Lee Avenue\Lee Avenue.dwg - 01/19/2022 04:48:52 PM



LEE AVENUE

ENGINEER OF RECORD
 EUTAW, INC.
 2419 FLEISCHMANN ROAD
 TALLAHASSEE, FLORIDA 32308
 (850) 383-9400
 FBPE REGISTRY #9961

NO.	REVISIONS
1	ORIGINAL
2	
3	
4	
5	

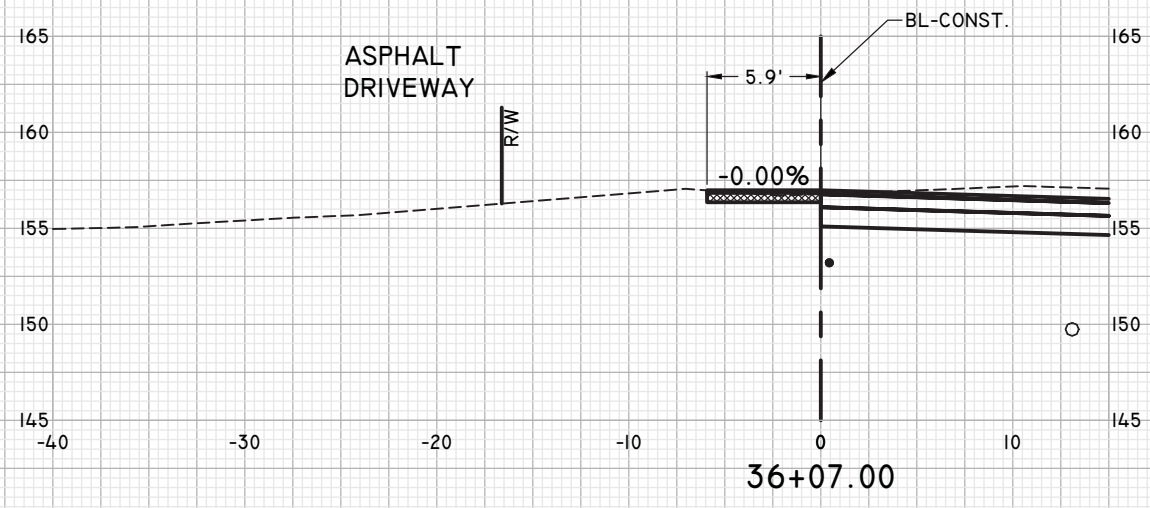
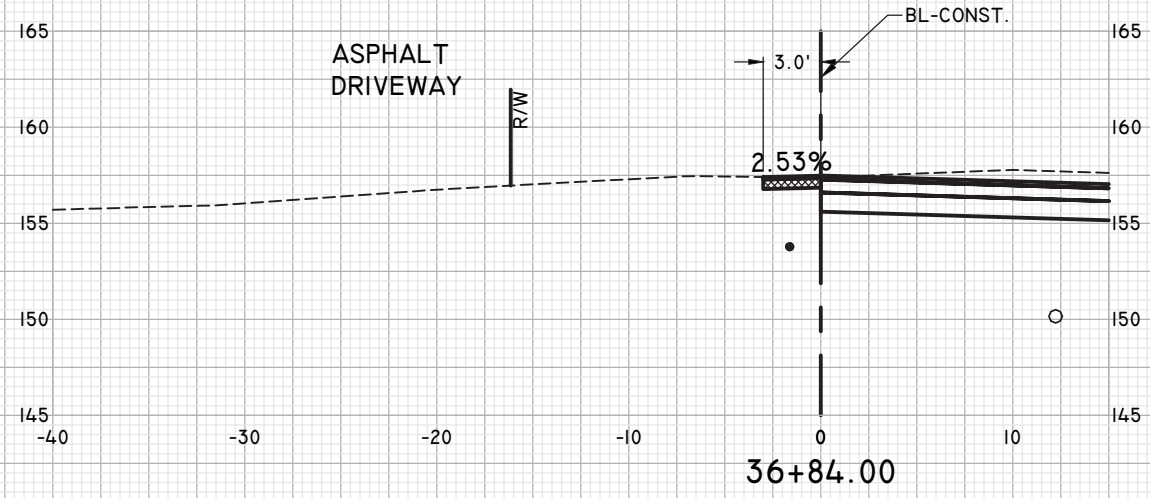
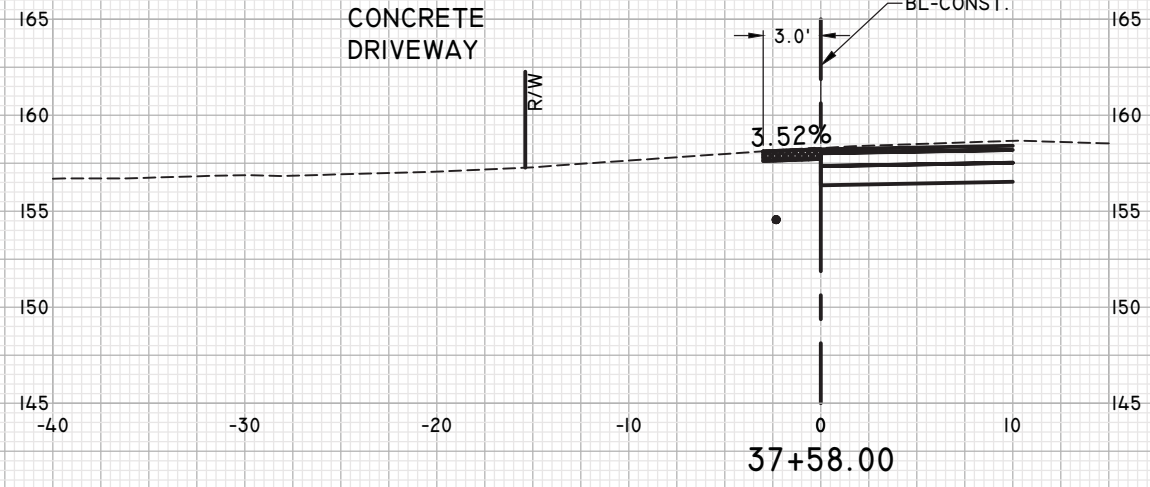
ROADWAY DETAILS
 DRIVEWAY PROFILES

LEE AVENUE
 DRAINAGE
 IMPROVEMENT
 PROJECT

EUTAW, INC.
 ENGINEERING-UTILITIES, TRANSPORTATION, AND WATER
 2419 FLEISCHMANN ROAD, STE. 1
 TALLAHASSEE, FL 32308
 PHONE : (850) 383-9400
 WWW.EUTAWINC.COM
 FBPE REGISTRY #9961

JOB No.	_____
DRAWN	_____
DESIGNED	_____
CHECKED	_____
QC	_____

U:\16\1603\1603001\Drawings\Lee Avenue\Lee Avenue.dwg - 01/15/2022 04:43:02 PM



LEE AVENUE

ENGINEER OF RECORD
 F.P.E. No. **EUTAW, INC.**
 2419-Fleischmann Road
 Tallahassee, Florida 32308
 (850) 383-9400
 FBPE REGISTRY #9961
 Signature _____ Date _____

ORIGINAL	REVISIONS
1	1
2	2
3	3
4	4
5	5

**ROADWAY DETAILS
 DRIVEWAY PROFILES**

**LEE AVENUE
 DRAINAGE
 IMPROVEMENT
 PROJECT**

EUTAW, INC.
 ENGINEERING-UTILITIES, TRANSPORTATION, AND WATER
 2419 FLEISCHMANN ROAD, STE. 1
 TALLAHASSEE, FL 32308
 PHONE : (850) 383-9400
 WWW.EUTAWINC.COM
 FBPE REGISTRY #9961

JOB No. _____
 DRAWN _____
 DESIGNED _____
 CHECKED _____
 QC _____

SHEET
50

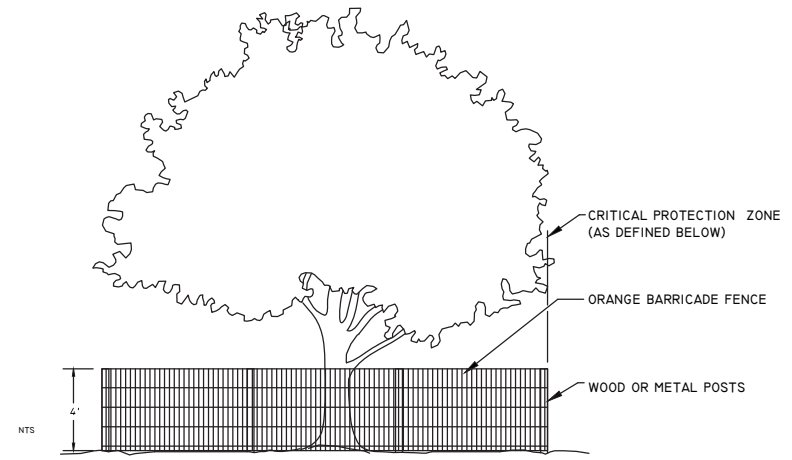
GENERAL NOTES - SEDIMENT AND EROSION CONTROL:

1. THE CONTRACTOR SHALL BE SOLELY RESPONSIBLE FOR THE PREVENTION, CONTROL, AND ABATEMENT OF EROSION, WATER POLLUTION, AND THE TRANSPORTATION OF ERODED MATERIALS OFF SITE.
2. THE CONTRACTOR SHALL PREPARE AND SUBMIT TO THE ENGINEER A SEDIMENT AND EROSION CONTROL PLAN TO ACCOMPANY THE STORMWATER POLLUTION PREVENTION PLAN AND THE SEDIMENT AND EROSION CONTROL PLAN INCLUDED IN THESE PLANS. THE SEDIMENT AND EROSION CONTROL PLAN SHALL BE PREPARED IN ACCORDANCE WITH THE "FLORIDA EROSION AND SEDIMENT CONTROL MANUAL" AND SHALL BE SPECIFIC TO THE MEANS, METHODS, AND SEQUENCE OF CONSTRUCTION TO BE EMPLOYED BY THE CONTRACTOR AND SHALL IDENTIFY THE TYPES AND LOCATIONS OF CONTROLS THAT ARE TO BE IMPLEMENTED DURING EACH PHASE OF CONSTRUCTION AS SHOWN ON THE APPROVED CONSTRUCTION SCHEDULE TO MINIMIZE EROSION, PREVENT THE TRANSFER OF ERODED MATERIALS ONTO ANY OFF SITE PARCEL OR INTO ANY RECEIVING WATER, AND PREVENT VIOLATING STATE AND/OR FEDERAL PERMIT REQUIREMENTS. PAYMENT FOR PREPARING AND SUBMITTING THE SEDIMENT AND EROSION CONTROL PLAN AND FOR ANY MODIFICATIONS TO THE SEDIMENT AND EROSION CONTROL PLAN DURING CONSTRUCTION WILL BE INCLUDED IN THE PAY ITEM FOR MOBILIZATION. THE SEDIMENT AND EROSION CONTROL PLAN SHALL DESCRIBE BUT NOT BE LIMITED TO THE FOLLOWING ITEMS FOR EACH PHASE OF CONSTRUCTION OPERATIONS OR ACTIVITIES:
 - A. TYPES AND LOCATIONS OF ALL EROSION CONTROL DEVICES
 - B. ESTIMATED TIME EROSION CONTROL DEVICES WILL BE IN OPERATION
 - C. METHODS FOR CONTAINMENT OR REMOVAL OF ERODED MATERIALS FROM DISCHARGES RELATED TO DEWATERING OPERATIONS
 - D. METHODS FOR CONTAINMENT OR REMOVAL OF POLLUTANTS OR HAZARDOUS WASTES
 - E. METHODS FOR MAINTENANCE OF EROSION CONTROL DEVICES
 - F. SCHEDULES FOR MONITORING AND MAINTAINING EROSION CONTROL DEVICES
 - G. NAME AND PHONE NUMBERS OF PERSON RESPONSIBLE FOR MONITORING AND MAINTAINING EROSION CONTROL DEVICES
3. NO CONSTRUCTION ACTIVITIES SHALL BEGIN UNTIL THE SEDIMENT AND EROSION CONTROL PLAN HAS RECEIVED WRITTEN APPROVAL FROM THE ENGINEER.
4. THE CONTRACTOR SHALL UPDATE THE SEDIMENT AND EROSION CONTROL PLAN WHENEVER THERE IS A CHANGE IN CONSTRUCTION SEQUENCE OR ACTIVITIES THAT HAS A SIGNIFICANT EFFECT ON THE POTENTIAL FOR THE DISCHARGE OF POLLUTANTS OFF SITE OR INTO ANY RECEIVING WATER AND SHALL SUBMIT THE UPDATED PLAN FOR REVIEW AND APPROVAL BY THE ENGINEER.
5. EROSION AND SEDIMENT CONTROLS SHALL BE PLACED PRIOR TO OR AS THE FIRST STEP IN CONSTRUCTION AND SHALL BE IN PLACE BEFORE DISTURBING SOIL UPSTREAM OF THE CONTROL.
6. FIELD CONDITIONS MAY REQUIRE THE USE OF ADDITIONAL TYPES AND QUANTITIES OF SEDIMENT AND EROSION CONTROL DEVICES DURING CONSTRUCTION AS DETERMINED BY THE CONTRACTOR, THE ENVIRONMENTAL INSPECTOR, OR THE ENGINEER.
7. THE CONTRACTOR SHALL INSPECT ALL SEDIMENT AND EROSION CONTROL DEVICES PRIOR TO SUSPENSION OF WORK ACTIVITIES EACH DAY, IMMEDIATELY AFTER EACH RAINFALL, AND AT LEAST DAILY DURING PROLONGED RAINFALL TO ENSURE THAT THE DEVICES ARE PROPERLY LOCATED AND MAINTAINED FOR EFFECTIVENESS. ANY REQUIRED REMEDIAL ACTION SHALL BE PERFORMED IMMEDIATELY.
8. SEDIMENT TRAPPED BY THE EROSION CONTROL DEVICES IS TO BE REMOVED BY THE CONTRACTOR AFTER EACH RAIN STORM.
9. THE AMOUNT OF AREA DISTURBED AT ONE TIME SHALL BE LIMITED TO THE MINIMUM NECESSARY TO ADEQUATELY IMPLEMENT THE WORK. CONSTRUCTION OPERATIONS SHALL BE CONTROLLED TO MINIMIZE UNPROTECTED AREAS EXPOSED TO WEATHER, AND AREAS OUTSIDE THE LIMITS OF CONSTRUCTION SHALL NOT BE DISTURBED.
10. EXCAVATED MATERIAL SHALL NOT BE DEPOSITED IN LOCATIONS WHERE IT COULD BE WASHED AWAY BY HIGH WATER OR BY STORMWATER RUNOFF, AND STOCKPILES SHALL BE COVERED OR ENCIRCLED WITH SEDIMENT CONTAINMENT DEVICES.
11. DURING THE INSTALLATION OF STORM DRAIN OR UTILITY PIPING, SYNTHETIC BALE BARRIERS SHALL BE PLACED BELOW THE WORK ZONES TO AID IN CONTROLLING THE TRANSFER OF ERODED MATERIAL OFF SITE.
12. NEW AND EXISTING DRAINAGE STRUCTURES SHALL BE PROTECTED FROM SILTATION DURING CONSTRUCTION. BARRIERS SHALL BE PLACED AROUND ALL INCOMPLETE STORMWATER INLETS AND MANHOLES DURING CONSTRUCTION. CURB INLET FILTERS SHALL BE PLACED ACROSS THE THROATS OF ALL EXISTING AND COMPLETED CURB INLETS.
13. EXISTING FLOW CAPACITY SHALL BE MAINTAINED IN THE DRAINAGE SYSTEMS TO CONVEY RUNOFF FROM RAIN STORMS THAT OCCUR DURING CONSTRUCTION. EXISTING DRAINAGE PIPES THAT ARE NOTED TO BE PLUGGED OR REMOVED SHALL REMAIN IN SERVICE UNTIL FLOWS CAN BE DIVERTED TO THE NEW DRAINAGE SYSTEM. WHERE NEW PIPES ARE TO BE INSTALLED IN CLOSE PROXIMITY TO EXISTING PIPES THAT ARE TO BE REMOVED, PROVISIONS SHALL BE MADE TO DIVERT FLOWS FROM THE EXISTING PIPES TO THE NEW PIPES PRIOR TO RAIN STORMS. TEMPORARY PIPES SHALL BE PLACED FOR THIS PURPOSE PRIOR TO SUSPENSION OF WORK ACTIVITIES EACH DAY.
14. STABILIZATION MEASURES SHALL BE INITIATED FOR EROSION AND SEDIMENT CONTROL ON DISTURBED AREAS AS SOON AS PRACTICABLE, BUT IN NO CASE MORE THAN 14 DAYS AFTER CONSTRUCTION ACTIVITY IN THOSE PORTIONS OF THE SITE HAS TEMPORARILY OR PERMANENTLY CEASED.
15. PERMANENT SOIL EROSION CONTROL MEASURES FOR ALL DISTURBED LAND AREAS SHALL BE COMPLETED IMMEDIATELY AFTER FINAL GRADING. WHEN IT IS NOT POSSIBLE TO PERMANENTLY PROTECT A DISTURBED AREA IMMEDIATELY AFTER GRADING OPERATIONS, TEMPORARY EROSION CONTROL MEASURES SHALL BE INSTALLED. ALL TEMPORARY EROSION CONTROL DEVICES SHALL BE MAINTAINED UNTIL PERMANENT MEASURES ARE IN PLACE AND ESTABLISHED.
16. THE CONTRACTOR SHALL OBTAIN AN ENVIRONMENTAL MANAGEMENT PERMIT FROM THE CITY OF TALLAHASSEE GROWTH MANAGEMENT DEPARTMENT FOR ALL STOCKPILE AND CONSTRUCTION STAGING AREAS LOCATED OUTSIDE THE LIMITS OF CONSTRUCTION.

GENERAL NOTES - TREE PROTECTION:

1. BARRICADE FENCING SHALL BE INSTALLED AT OR NEAR THE CRITICAL PROTECTION ZONE OF EACH TREE TO BE PROTECTED PRIOR TO INITIATION OF ANY CONSTRUCTION ACTIVITY, AND THE FENCING SHALL REMAIN IN PLACE UNTIL ALL CONSTRUCTION ACTIVITY HAS BEEN COMPLETED.
2. ALL ROOTS 3/4" IN DIAMETER AND LARGER OF TREES TO BE PROTECTED OR PRESERVED THAT ARE EXPOSED DURING TRENCHING AND EXCAVATION SHALL BE CLEANLY CUT WITH A HANDSAW AND COVERED IMMEDIATELY WITH SOIL OR KEPT MOISTENED WITH WET BURLAP OR PEAT MOSS UNTIL THE TRENCH CAN BE FILLED. WHEN IT IS NOT POSSIBLE TO BACKFILL IN THE SAME DAY, THE ROOTS SHALL BE FRESHLY CUT WITH A HANDSAW A REASONABLE DISTANCE FROM THE ORIGINAL CUT AND BACKFILLED IMMEDIATELY TO AVOID SOIL OR ROOT DEHYDRATION.
3. THE CONTRACTOR SHALL PROVIDE THE SERVICES OF A CERTIFIED ARBORIST TO BE ON SITE TO DIRECT TREE PROTECTION AND MITIGATION ACTIVITIES DURING ALL CONSTRUCTION OPERATIONS WITHIN THE CPZ OF TREES IDENTIFIED AS THOSE REQUIRING CERTIFIED ARBORIST SERVICES. MITIGATION ACTIVITIES INCLUDE LIMB PRUNING, ROOT CUTTING, WATERING, AND OTHER OPERATIONS NEEDED TO PRESERVE THE HEALTH OF THE TREE. SHOULD THE ARBORIST DETERMINE THAT MITIGATION EFFORTS WILL NOT BE SUFFICIENT TO OFFSET CONSTRUCTION IMPACTS AND TREE REMOVAL IS WARRANTED, THE ARBORIST WILL IMMEDIATELY NOTIFY THE CITY. SHOULD THE CITY DETERMINE THAT TREE REMOVAL IS WARRANTED, THE CITY WILL DIRECT THE CONTRACTOR TO REMOVE THE TREE. THE COST TO REMOVE ANY TREE DAMAGED BY CONSTRUCTION IMPACTS SHALL BE INCLUDED IN THE BID ITEM FOR CLEARING AND GRUBBING. THE COST OF ALL ARBORIST SERVICES AND ALL TREE MITIGATION ACTIVITIES AND OPERATIONS SHALL BE INCLUDED IN THE BID ITEM FOR MOBILIZATION.

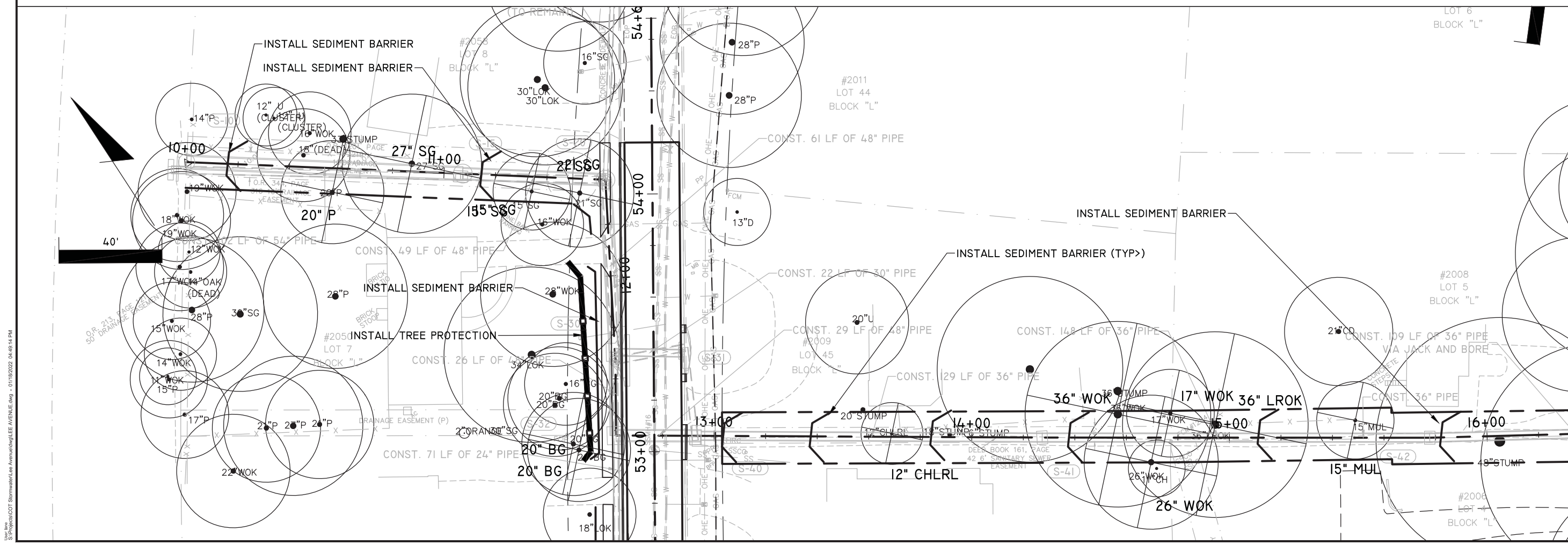
LEGEND



TREE PROTECTION BARRICADE

NOTES:

THE TREE PROTECTION BARRICADE IS TO PREVENT DISTURBANCE OF THE CRITICAL PROTECTION ZONE (CPZ). THE C.P.Z. IS THE AREA SURROUNDING A TREE WITH A CIRCLE DESCRIBED BY A RADIUS OF ONE FOOT FOR EACH INCH OF THE TREE'S DIAMETER AT BREAST HEIGHT. THE AREA WITHIN BARRICADE IS NOT TO BE USED FOR STORAGE OF MATERIAL OR EQUIPMENT.



ENGINEER OF RECORD
 F.L.P.E. No. **EUTAW, INC.**
 2419 FLEISCHMANN ROAD
 TALLAHASSEE, FLORIDA 32308
 PHONE : (850) 383-9400
 WWW.EUTAWINC.COM
 FBPE REGISTRY # 9961

ORIGINAL
 REVISIONS
 1
 2
 3
 4
 5

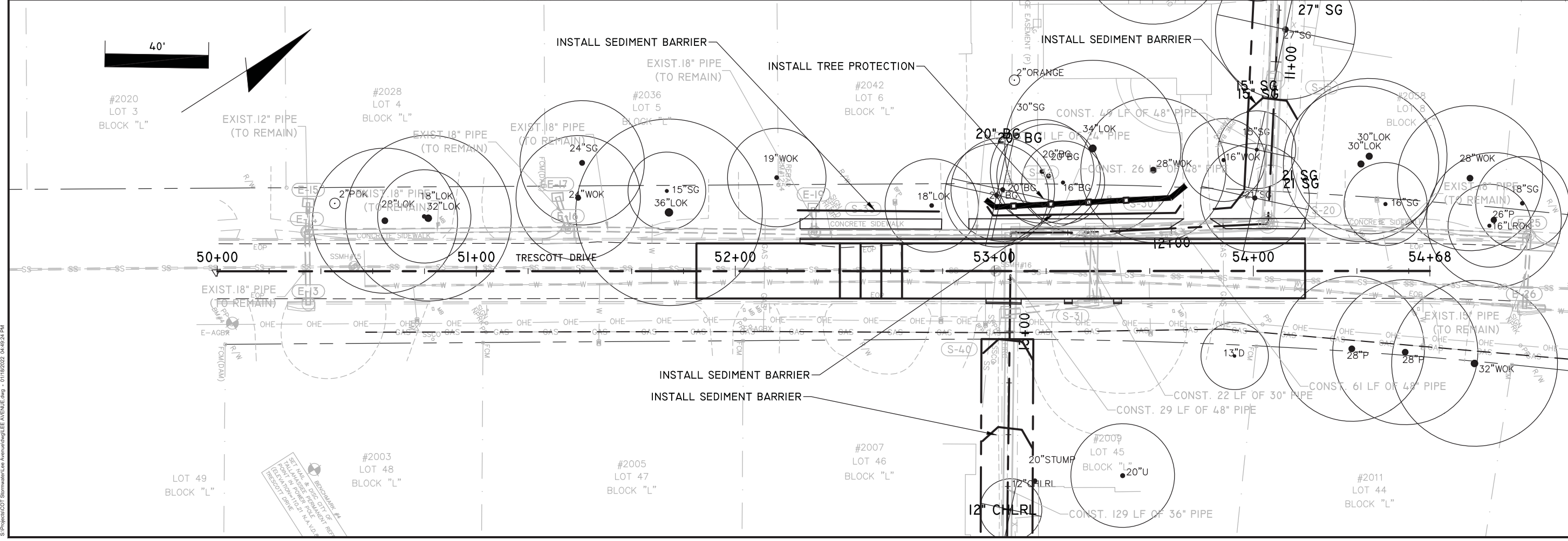
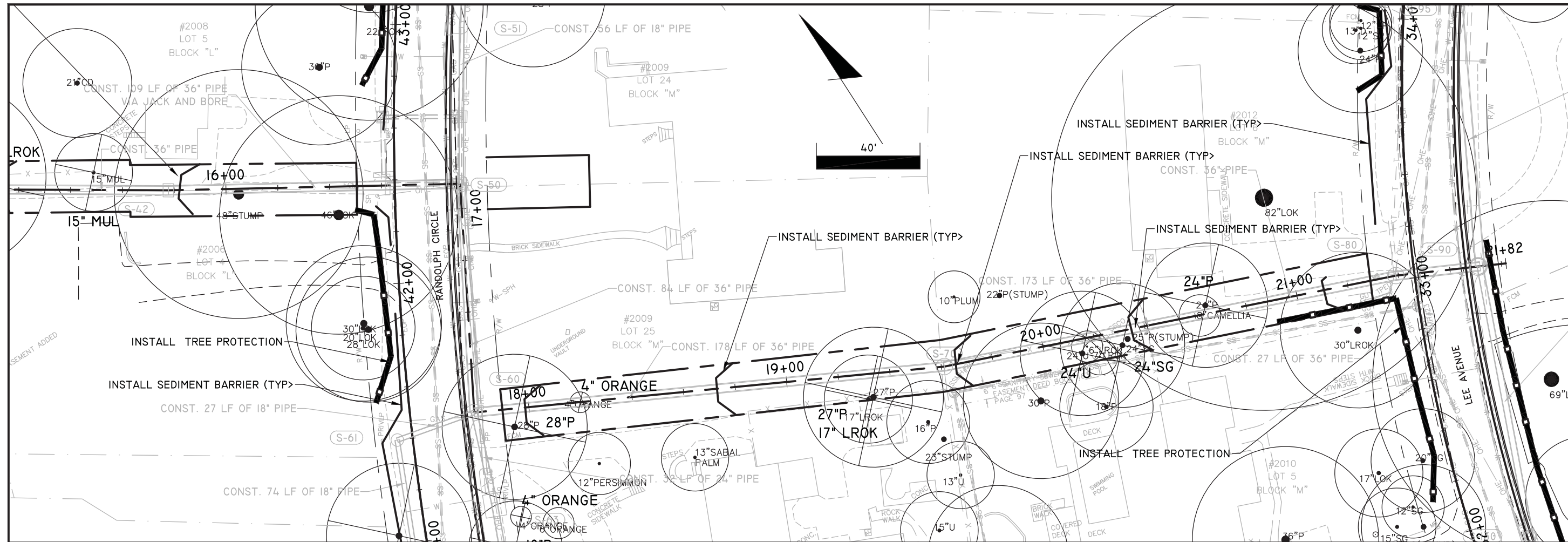
TREE PROTECTION AND EROSION CONTROL

LEE AVENUE DRAINAGE IMPROVEMENT PROJECT

EUTAW, INC.
 ENGINEERING-UTILITIES, TRANSPORTATION, AND WATER
 2419 FLEISCHMANN ROAD, STE. 1
 TALLAHASSEE, FL 32308
 FBPE REGISTRY # 9961

JOB No. _____
 DRAWN _____
 DESIGNED _____
 CHECKED _____
 QC _____
 SHEET _____

51



ENGINEER OF RECORD
 LANE P. LUCAS, P.E.
 F.P.E. No. 53936

EUTAW, INC.
 2419-F Fleischmann Road
 Tallahassee, Florida 32308
 F.P.B.E. REGISTRY # 9961

REVISIONS	DATE	BY	APP'D
1			
2			
3			
4			
5			

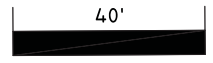
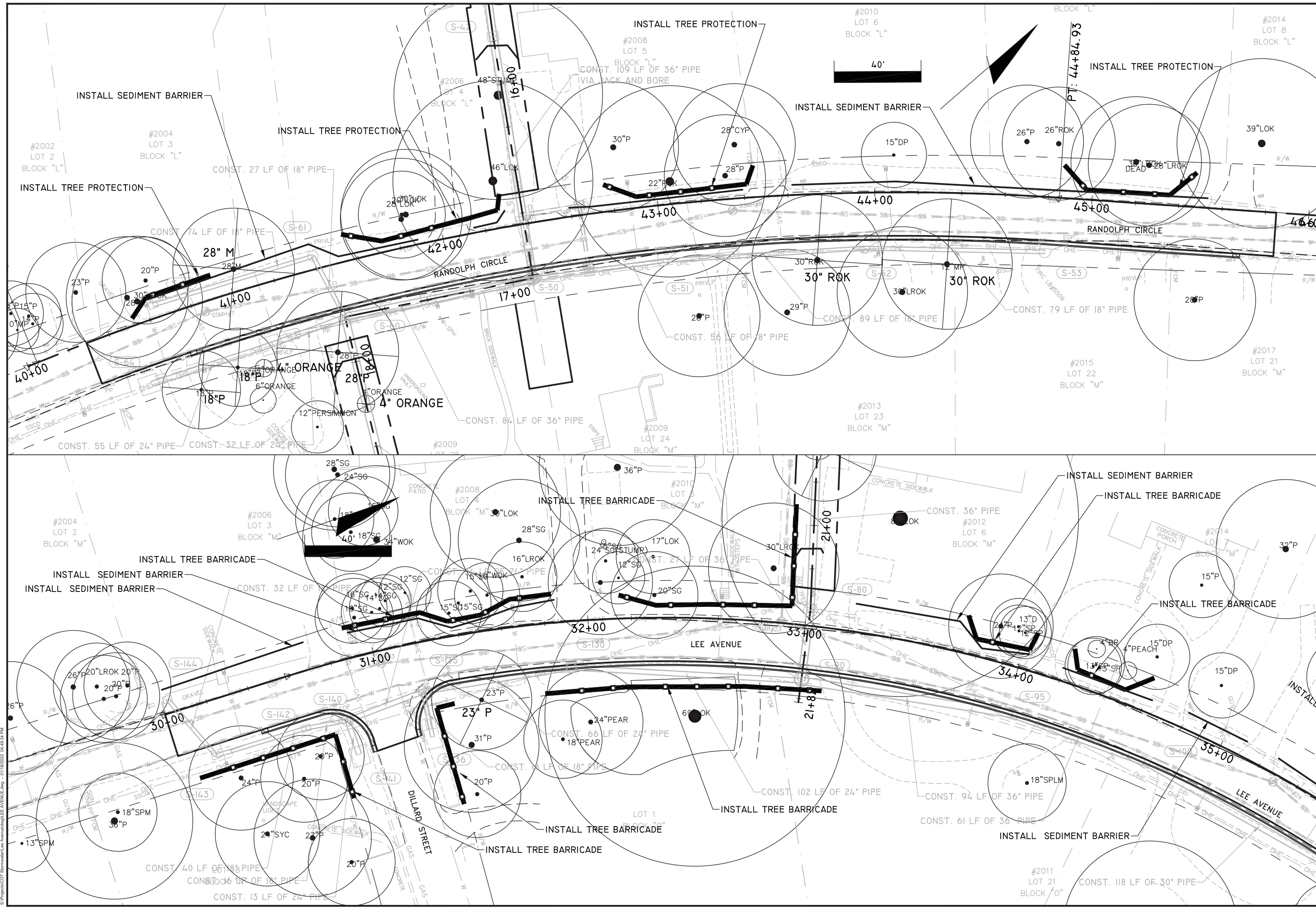
PROJECT
 LEE AVENUE DRAINAGE IMPROVEMENT PROJECT

EUTAW, INC.
 ENGINEERING-UTILITIES, TRANSPORTATION, AND WATER
 2419 FLEISCHMANN ROAD, STE. 1
 TALLAHASSEE, FL 32308
 PHONE : (850) 383-0400
 WWW.EUTAWINC.COM

JOB No. _____
DRAWN _____
DESIGNED _____
CHECKED _____
QC _____

SHEET 52

U:\Projects\DOT Stormwater\Lee Avenue\Lee Avenue.dwg - 01/19/2022 04:49:24 PM
 Progress/COT Stormwater\Lee Avenue\Lee Avenue.dwg



ENGINEER OF RECORD
 LANE P. LUCAS, P.E.
 F.L.P.E. No. 53936
EUTAW, INC.
 2419-1 Fleischmann Road
 Tallahassee, Florida 32308
 FPBE REGISTRY # 9961

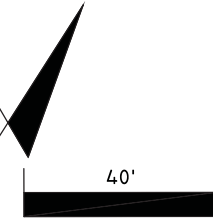
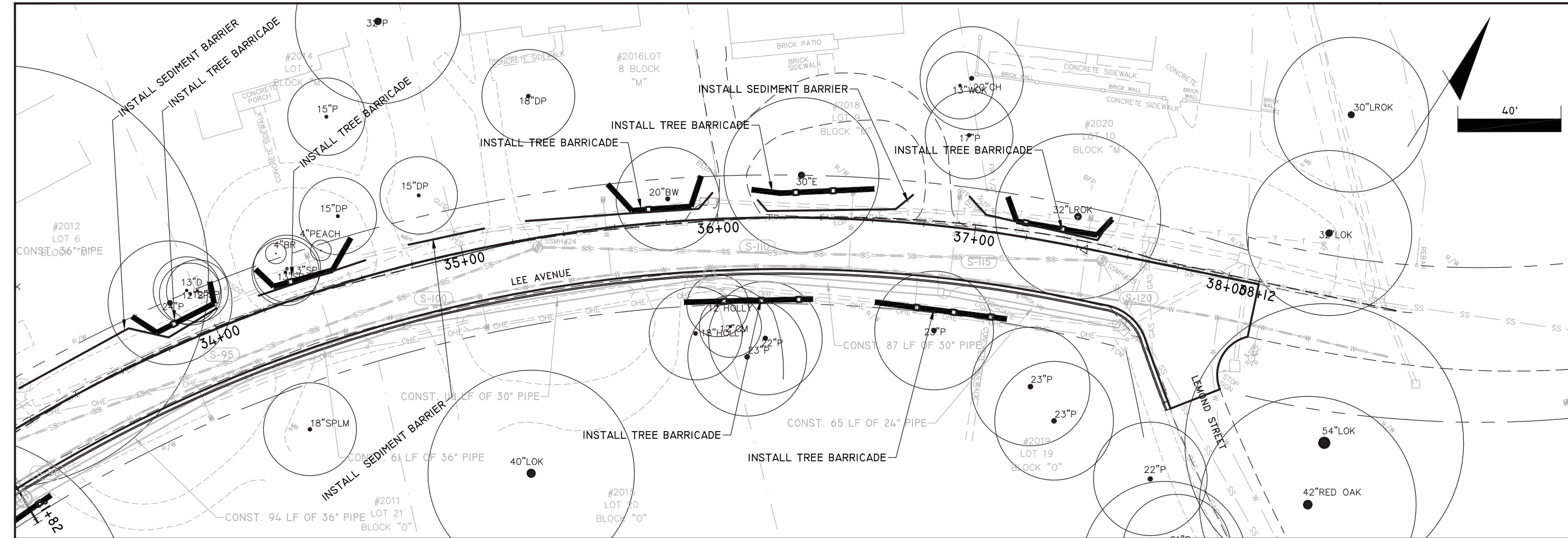
NO.	REVISIONS
1	ORIGINAL
2	
3	
4	
5	

TREE PROTECTION AND EROSION CONTROL

LEE AVENUE DRAINAGE IMPROVEMENT PROJECT

EUTAW, INC.
 ENGINEERING-UTILITIES, TRANSPORTATION, AND WATER
 2419 FLEISCHMANN ROAD, STE. 1
 TALLAHASSEE, FL 32308
 PHONE : (850) 383-9400
 WWW.EUTAWINC.COM
 FPBE REGISTRY #9961

JOB No.	
DRAWN	
DESIGNED	
CHECKED	
QC	
SHEET	



ENGINEER OF RECORD
 LANE P. LUCAS, P.E.
 F.I.P.E. No. 53936
EUTAW, INC.
 2419 FLEISCHMANN ROAD
 TALLAHASSEE, FLORIDA 32308
 FBPE REGISTRY # 9961

NO.	REVISIONS
1	ORIGINAL
2	
3	
4	
5	

TREE PROTECTION AND EROSION CONTROL

LEE AVENUE DRAINAGE IMPROVEMENT PROJECT

EUTAW, INC.
 ENGINEERING-UTILITIES, TRANSPORTATION, AND WATER
 2419 FLEISCHMANN ROAD, STE. 1
 TALLAHASSEE, FL 32308
 PHONE : (850) 383-9400
 WWW.EUTAWINC.COM
 FBPE REGISTRY #9961

JOB No.	_____
DRAWN	_____
DESIGNED	_____
CHECKED	_____
QC	_____

SHEET
54